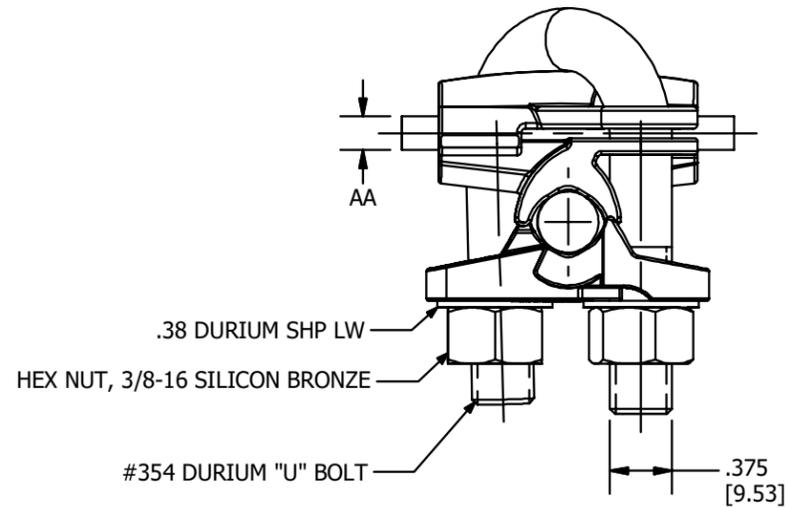
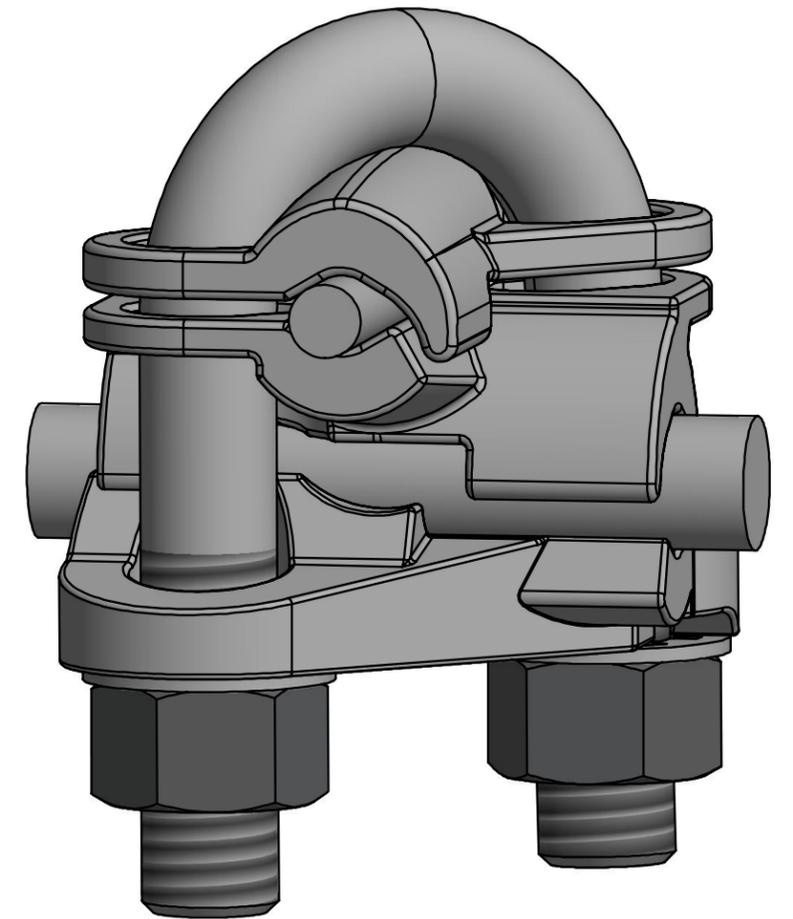
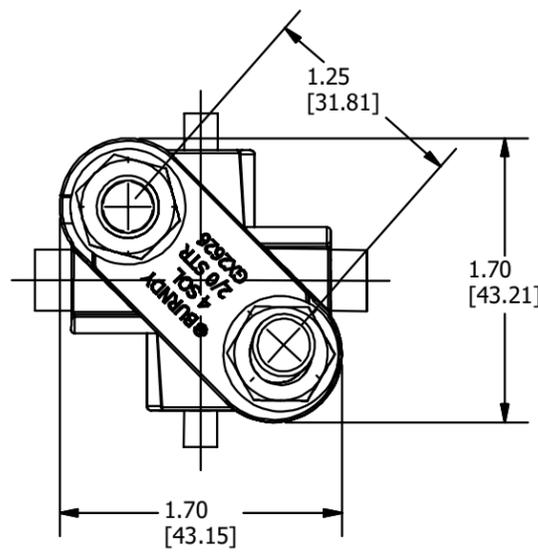
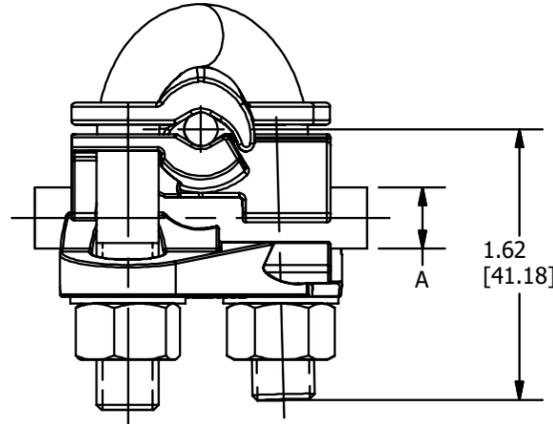
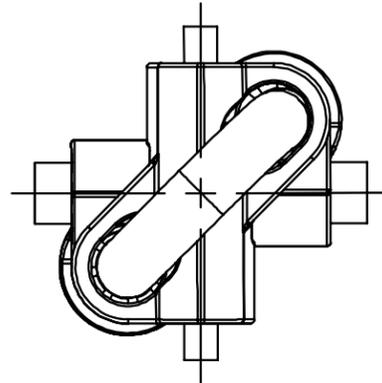


CONDUCTOR RANGE ACCOMMODATED																			TORQUE	
ROD ACCOMMODATED (A OR A-A)			"A"								"AA"									
			AWG				METRIC WIRE SIZE				AWG				METRIC WIRE SIZE					
NOMINAL DIAMETER (in)	ACTUAL DIAMETER		MIN		MAX		MIN		MAX		MIN		MAX		MIN		MAX		Lb*in	N*m
	(in)	(mm)	SIZE	DIA	SIZE	DIA	SIZE	DIA	SIZE	DIA	SIZE	DIA	SIZE	DIA	SIZE	DIA	SIZE	DIA		
3/8	.375	[9.5]	4 SOL	.204	2/0 STR	.418	25mm <sup>2</sup> STR	6.5	50mm <sup>2</sup> STR	9.3	4 SOL	.204	2/0 STR	.418	25mm <sup>2</sup> SOL	6.5	50mm <sup>2</sup> STR	9.3	240	27.0

REV	DATE	DESCRIPTION	EC	BY	CHK.
A	09/16/2022	REDRAW	220916024064	TM	EM



- NOTE :-
1. MATERIAL: CAST COPPER ALLOY.  
BRONZE U-BOLTS & HEX NUTS.
  2. UL 467 LISTED, FILE NO. E9999.  
ACCEPTABLE FOR DIRECT BURIAL.
  3. DIMENSIONS IN BRACKETS [ ] ARE IN MILLIMETERS  
ROUNDED OFF TO THE NEAREST MILLIMETER,  
UNLESS OTHERWISE NOTED, AND ARE FOR REFERENCE ONLY.

TO ORDER BURNDY® PRODUCTS CALL		GROUND CROSS CONNECTOR	
UNITED STATES 1-800-346-4175 (LONDONDERRY, NH)		ITEM NO: 264467	CAT. NO: GX2626
CANADA: 1-800-387-6487		DRAWN BY: M.THAMARAI 09-21-2022	CHECKER: E.MARTIN 01-09-2023
FOR PRODUCT INFO: <a href="http://www.burndy.com">http://www.burndy.com</a>		DSN APRVL: E.MARTIN 01-09-2023	MFG APRVL: S.CARBONNEAU 01-10-2023
		QA APRVL: D.LOCKE 01-24-2023	MKT APRVL: S.PARSONS 01-18-2023
		PROD FAM: MECHANICAL GROUNDING	DRAWING NO
		PROJECT #: --	SIZE
		DOCUMENT TYPE: SALES	50129112
		REL LEVEL: Released	B
			SHEET 1 OF 1
			A

