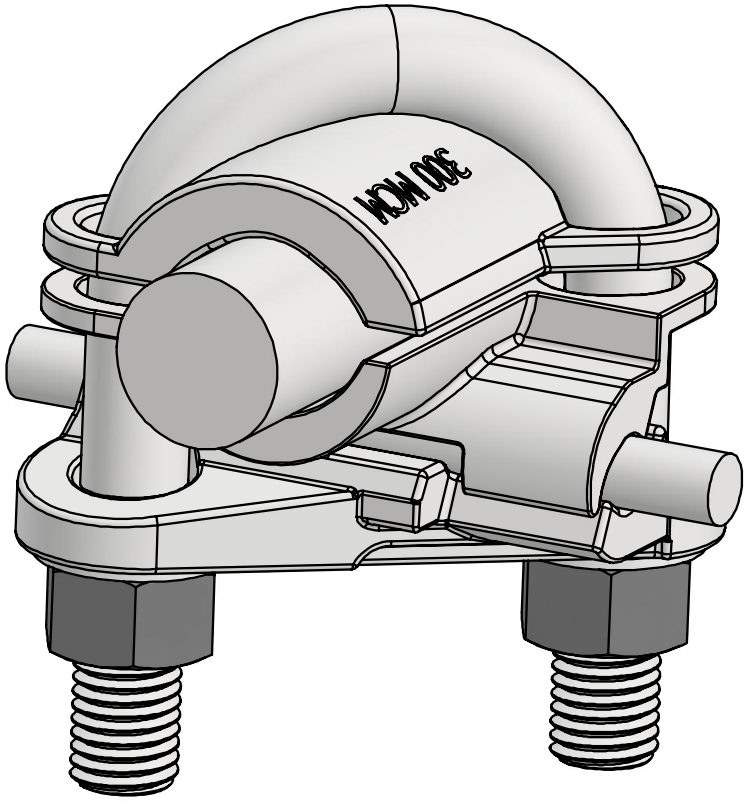
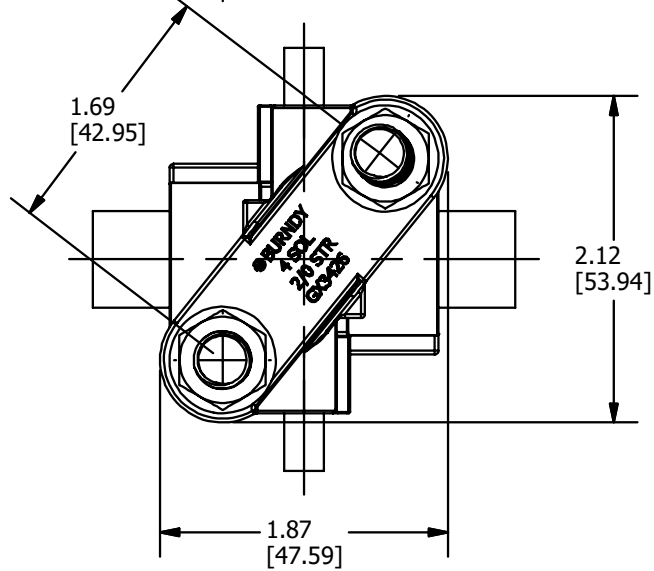
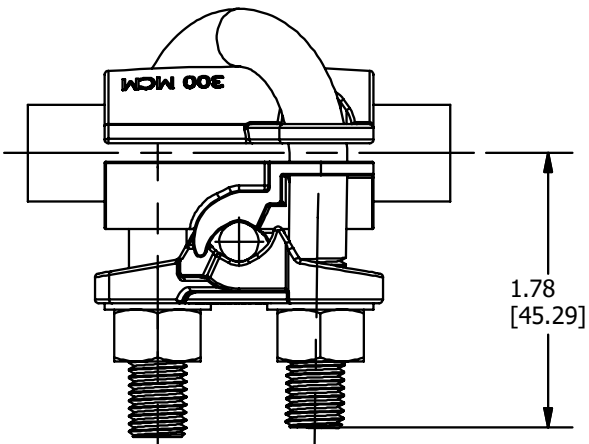
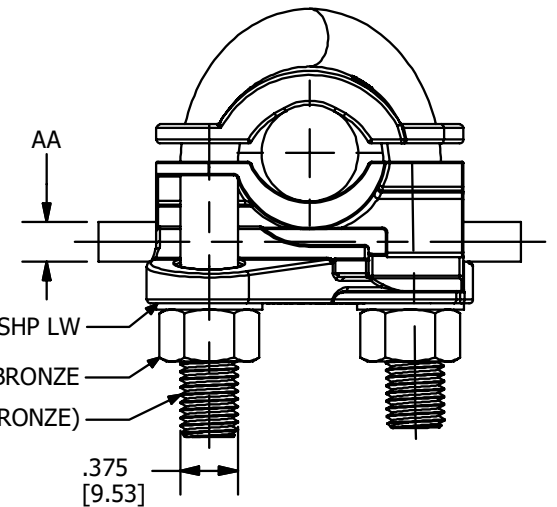
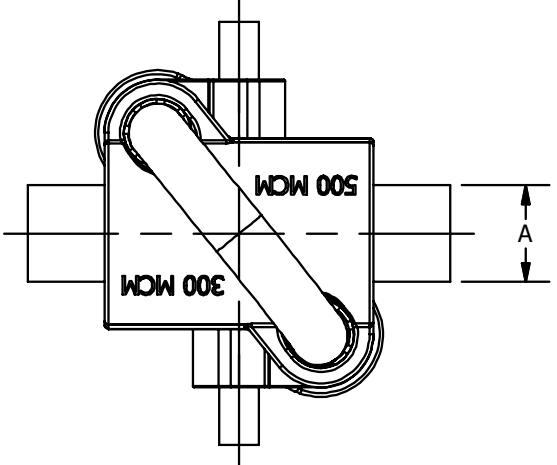


| CONDUCTOR RANGE ACCOMMODATED | | | | | | | | | | | | | | | | | | | TORQUE | |
|--------------------------------|-----------------|--------|-----------|-------|-----------|-------|------------------------|-----|------------------------|------|-------|-------|---------|-------|-----------------------|-----|-----------------------|-----|--------|------|
| ROD ACCOMMODATED (A OR A-A) | | | "A" | | | | | | | | "AA" | | | | | | | | | |
| | | | AWG | | | | METRIC WIRE SIZE | | | | AWG | | | | METRIC WIRE SIZE | | | | | |
| NOMINAL DIAMETER (in) | ACTUAL DIAMETER | | MIN | | MAX | | MIN | | MAX | | MIN | | MAX | | MIN | | MAX | | | |
| | (in) | (mm) | SIZE | DIA | SIZE | DIA | SIZE | DIA | SIZE | DIA | SIZE | DIA | SIZE | DIA | SIZE | DIA | SIZE | DIA | | |
| 3/4 | .750 | [19.1] | 300 kcmil | 0.630 | 500 kcmil | 0.814 | 150mm ² STR | 16 | 240mm ² STR | 20.3 | 4 SOL | 0.204 | 2/0 STR | 0.418 | 25mm ² STR | 6.5 | 50mm ² STR | 9.3 | 240 | 27.0 |

| REV | DATE | DESCRIPTION | EC | BY | C'H'K. |
|-----|------------|-------------|--------------|----|--------|
| A | 09/28/2022 | REDRAW | 220928024409 | TM | EM |



- NOTE :-
1. MATERIAL: CAST COPPER ALLOY.
BRONZE U-BOLTS & HEX NUTS.
 2. UL 467 LISTED, FILE NO. E9999.
ACCEPTABLE FOR DIRECT BURIAL.
 3. DIMENSIONS IN BRACKETS [] ARE IN MILLIMETERS
ROUNDED OFF TO THE NEAREST MILLIMETER,
UNLESS OTHERWISE NOTED, AND ARE FOR REFERENCE ONLY.

| | | | |
|-----------------------------------------------------------------------------|--|---------------------------------|------------------------------------|
| TO ORDER BURNDY® PRODUCTS CALL | | GROUND CROSS CONNECTOR | |
| UNITED STATES 1-800-346-4175 (LONDONDERRY, NH) | | ITEM NO: 264101 | CAT. NO: GX3426 |
| CANADA: 1-800-387-6487 | | DRAWN BY: M.THAMARAI 10-14-2022 | CHECKER: E.MARTIN 01-09-2023 |
| FOR PRODUCT INFO: http://www.burndy.com | | DSN APRVL: E.MARTIN 01-09-2023 | MFG APRVL: S.CARBONNEAU 08-21-2023 |
| | | QA APRVL: D.LOCKE 01-24-2023 | MKT APRVL: S.PARSONS 01-30-2023 |
| | | PROD FAM: MECHANICAL GROUNDING | DRAWING NO |
| | | PROJECT #: -- | SIZE |
| | | DOCUMENT TYPE: SALES | 50129117 |
| | | REL LEVEL: Released | B |
| | | | SHEET 1 OF 1 |
| | | | REV A |

