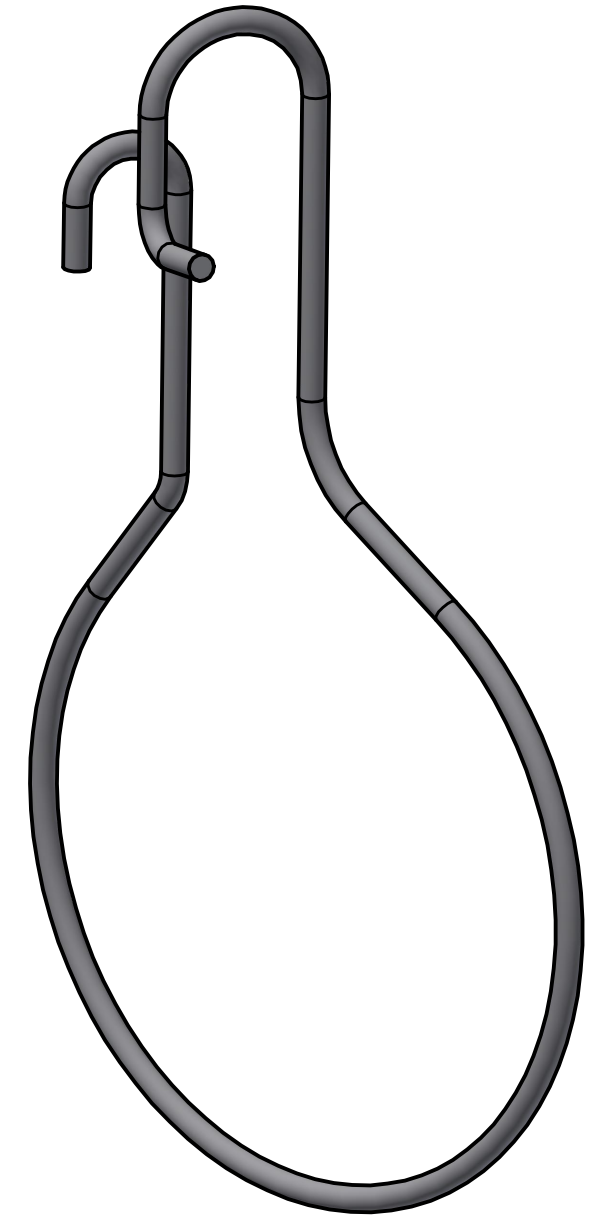
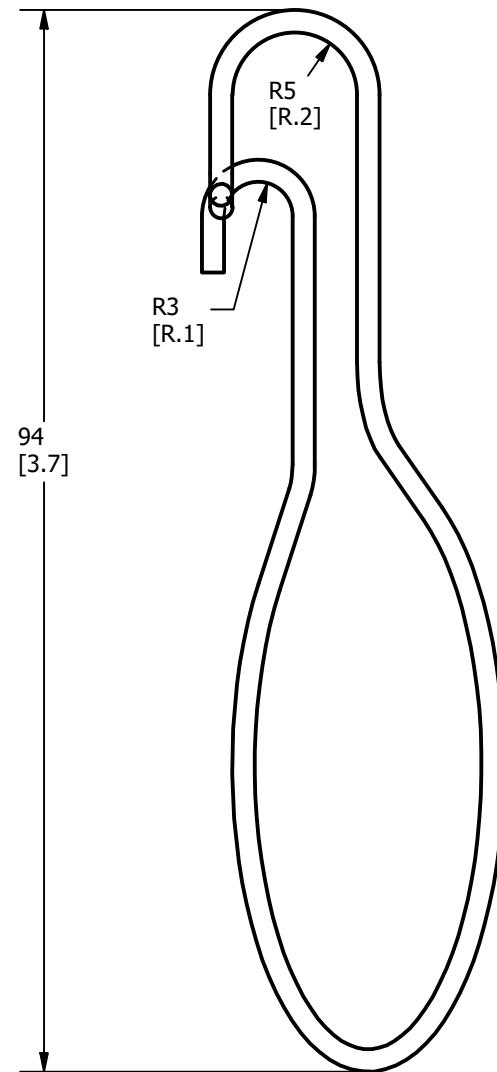
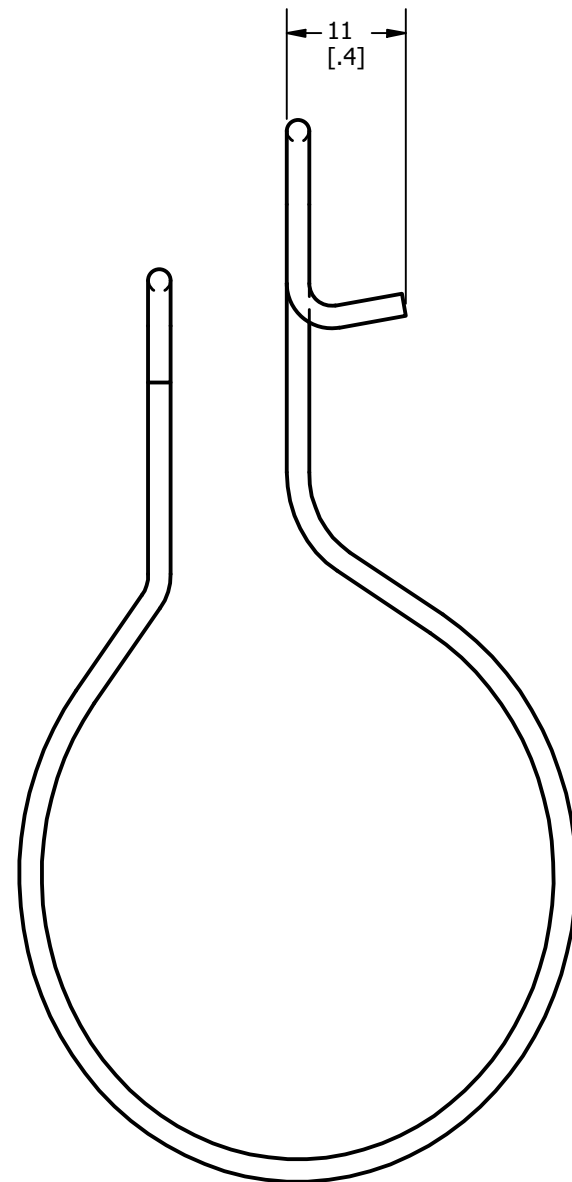
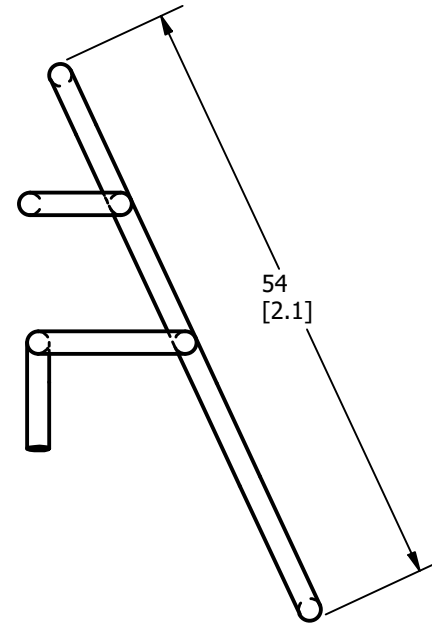


| CAT NO. | MATERIAL |
|------------------|----------------------------|
| WCH2-90-15-BDL | 300 Series Stainless Steel |
| WCH2-90-15GS-BDL | Galvanized Spring Steel |

| REV | DATE | DESCRIPTION | EC | BY | C'H'K. |
|-----|------------|------------------|--------------|----|--------|
| A | 06-06-2023 | DRAWING CREATION | 230613031084 | TM | BM |



NOTES:

1. DIMENSIONS IN BRACKETS [] ARE IN INCHES ROUNDED OFF TO THE NEAREST TENTH, UNLESS OTHERWISE SPECIFIED AND ARE FOR REFERENCE ONLY.

TO ORDER BURNDY® PRODUCTS CALL

UNITED STATES
1-800-346-4175 (LONDONDERRY, NH)

CANADA:
1-800-387-6487

FOR PRODUCT INFO: <http://www.burndy.com>

CABLE HANGER

ITEM NO: SEE TABLE
CAT. NO: SEE TABLE

| | | |
|------------|---------------|------------|
| DRAWN BY: | M.THAMARAI | 06-13-2023 |
| CHECKER: | G.ROCCAPRIORE | 08-02-2023 |
| DSN APRVL: | G.ROCCAPRIORE | 08-02-2023 |
| PUR APRVL: | J.VERRANAULT | 08-02-2023 |
| QA APRVL: | D.LOCKE | 08-02-2023 |
| MKT APRVL: | M.BRITT | 08-02-2023 |
| PROD FAM: | WILEY | |



| | | | |
|----------------------|------|--------------|-----|
| PROJECT #: | SIZE | DRAWING NO | REV |
| DOCUMENT TYPE: SALES | B | 50140058 | A |
| REL LEVEL: Released | | SHEET 1 OF 1 | |