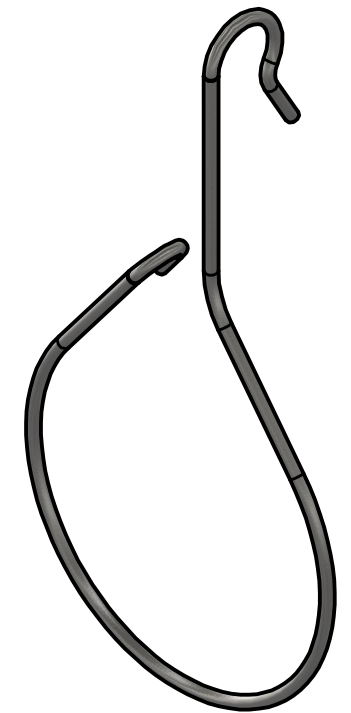
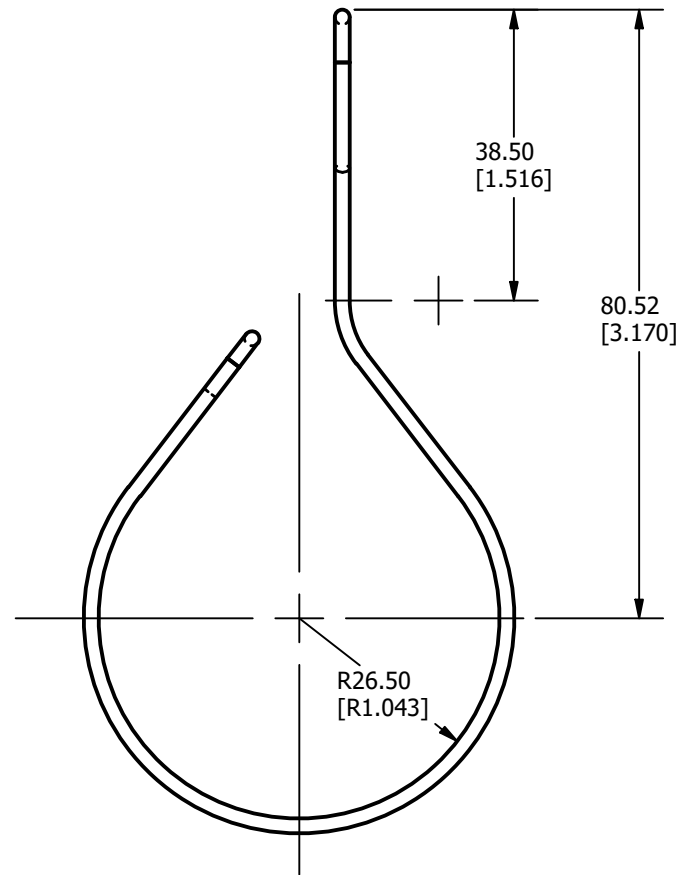
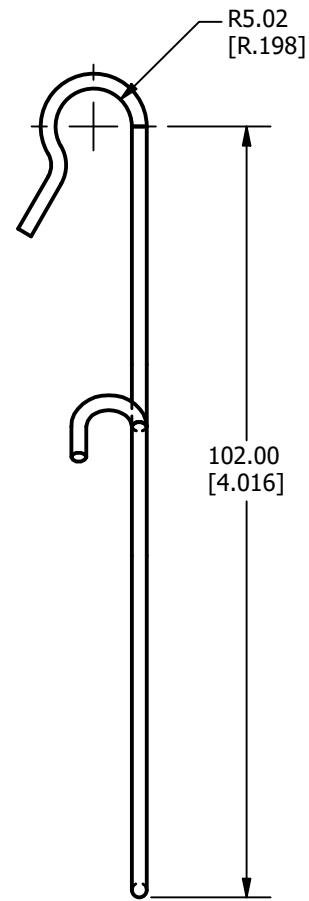
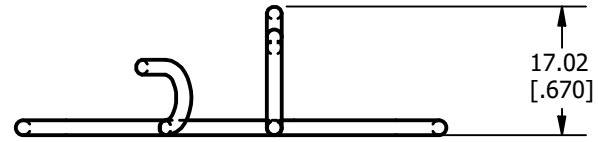


CAT NO.	MATERIAL
WCH2H1090-BDL	300 Series SS
WCH2H1090GS-BDL	Galvanized Spring Steel

REV	DATE	DESCRIPTION	EC	BY	C'H'K.
A	06-06-2023	DRAWING CREATION	230613031084	TM	BM



**NOTES:**

1. DIMENSIONS IN BRACKETS [ ] ARE IN INCHES ROUNDED OFF TO THE NEAREST TENTH, UNLESS OTHERWISE SPECIFIED AND ARE FOR REFERENCE ONLY.

TO ORDER BURNDY® PRODUCTS CALL

UNITED STATES  
1-800-346-4175 (LONDONDERRY, NH)

CANADA:  
1-800-387-6487

FOR PRODUCT INFO: <http://www.burndy.com>

**CABLE HANGER**

ITEM NO: SEE TABLE	
CAT. NO: SEE TABLE	
DRAWN BY: M.THAMARAI	06-13-2023
CHECKER: G.ROCCAPRIORE	08-02-2023
DSN APRVL: G.ROCCAPRIORE	08-02-2023
MFG APRVL: J.VERRANAULT	08-02-2023
QA APRVL: D.LOCKE	08-02-2023
MKT APRVL: M.BRITT	08-02-2023
PROD FAM: WILEY	
PROJECT #: FPN2112005	SIZE
DOCUMENT TYPE: SALES	50140785
REL LEVEL: Released	B
DRAWING NO	REV
50140785	A
SHEET 1 OF 1	

