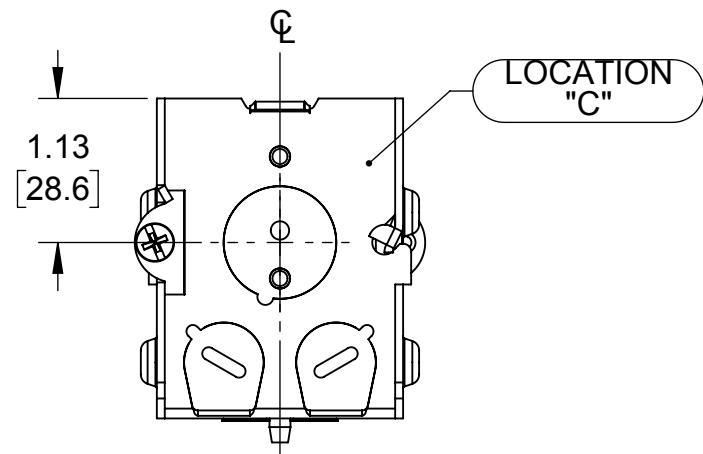
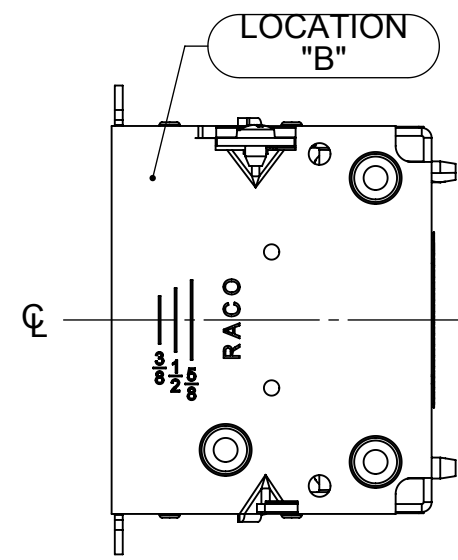
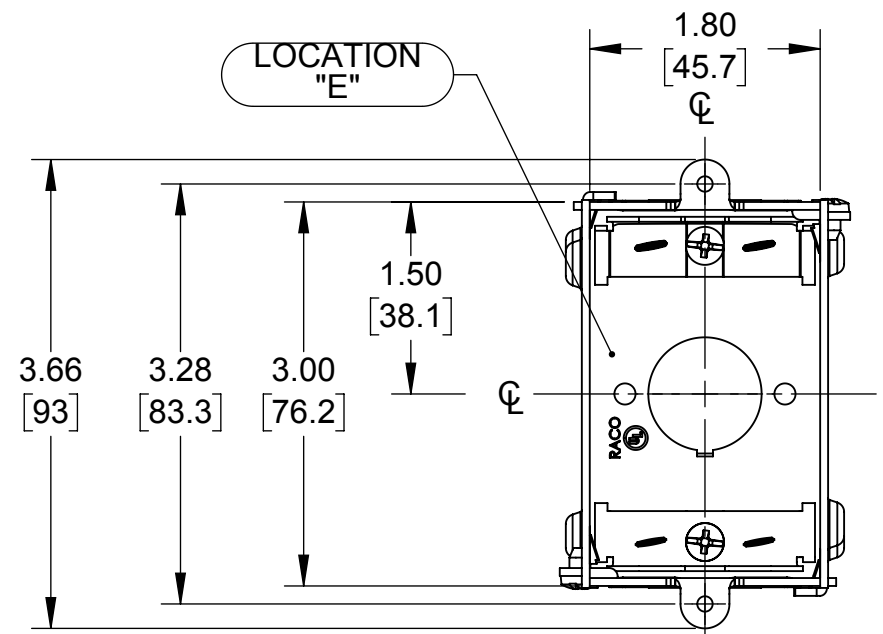
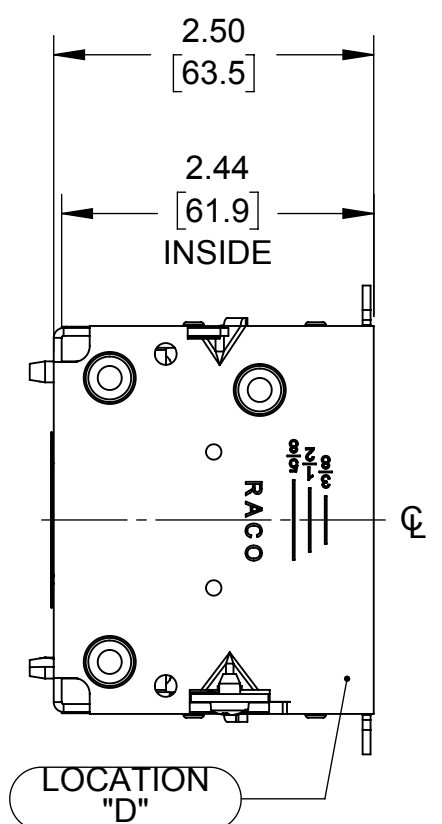
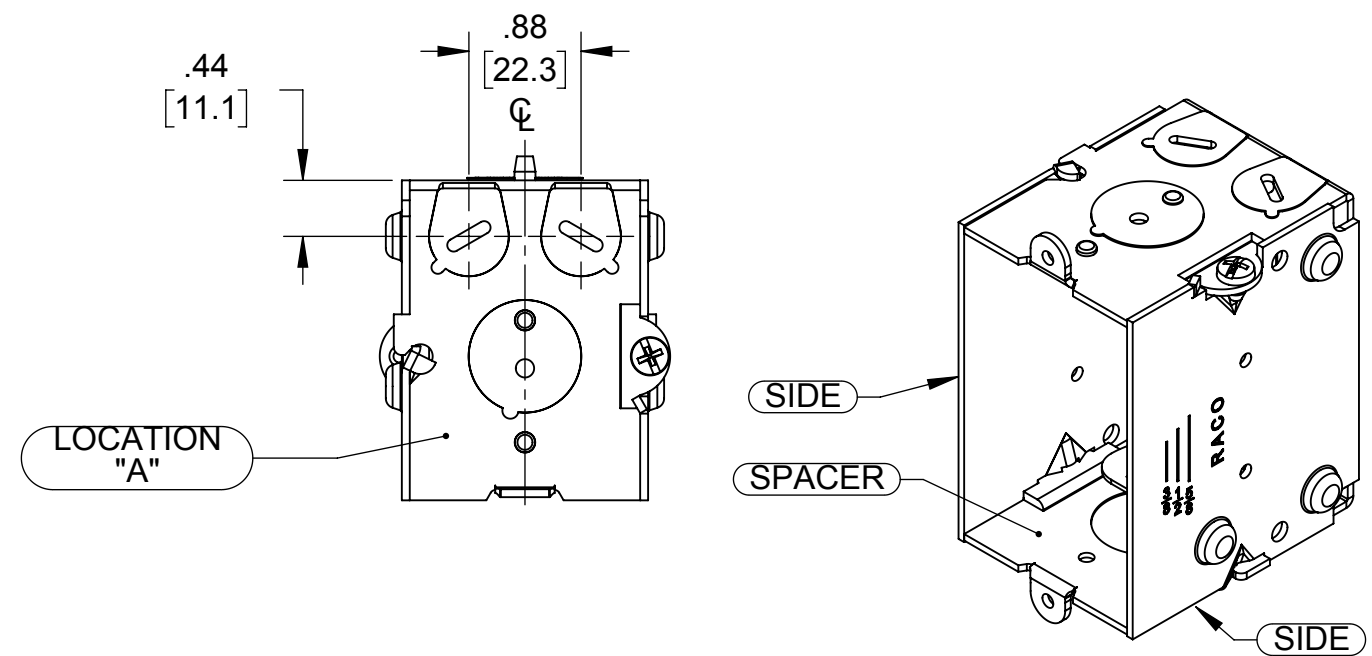


LIST OF PARTS

| DESCRIPTION | MATERIAL | FINISH |
|-------------|----------|------------|
| SPACER | STEEL | GALVANIZED |
| SIDES | STEEL | GALVANIZED |
| CLAMPS | STEEL | GALVANIZED |
| FASTENERS | STEEL | GALVANIZED |
| | | |
| | | |



- NOTES:**
1. ALL DIMENSIONS ARE IN INCHES AND [MILLIMETERS]
 2. BOX VOLUME: 12.5 IN³ [204.8 CM³]
 3. UL LISTED

| KNOCKOUTS | | |
|---------------|----------|------|
| TRADE SIZE | LOCATION | QTY. |
| 1/2" KO | A,C,E | 1 |
| CABLE PRIOUTS | A,C | 2 |

| SYMBOL | REVISION DESCRIPTION | APP | DATE |
|--------|----------------------|-----|----------|
| | INITIAL RELEASE | RMV | 08-02-18 |

THE DESIGN AND DIMENSIONS OF THE PRODUCT SHOWN ON THIS DRAWING ARE SUBJECT TO CHANGE WITHOUT NOTICE

TITLE:
SWITCH BOX, 2-1/2"DP GANGABLE, WITH EARS, NM CLAMPS, AND 1/2" KO'S

RACO
South Bend, Indiana

| | | | |
|-----------|----------|--------|-------|
| DRAWN BY: | RMV | SCALE: | 1:1.5 |
| APP. BY: | N.S. | | |
| DATE: | 08-02-18 | | |