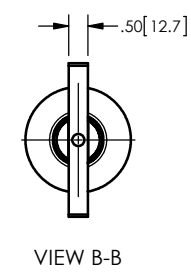
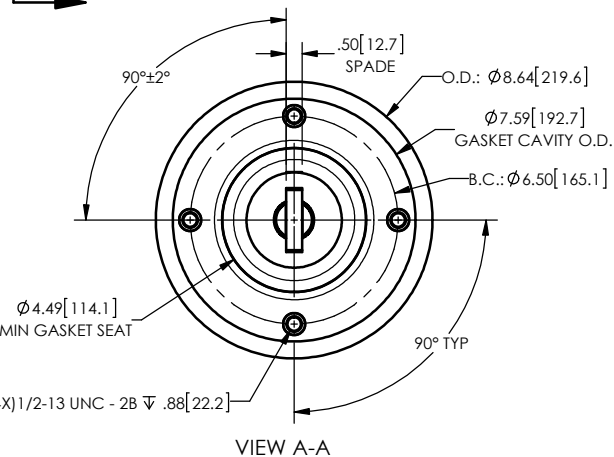
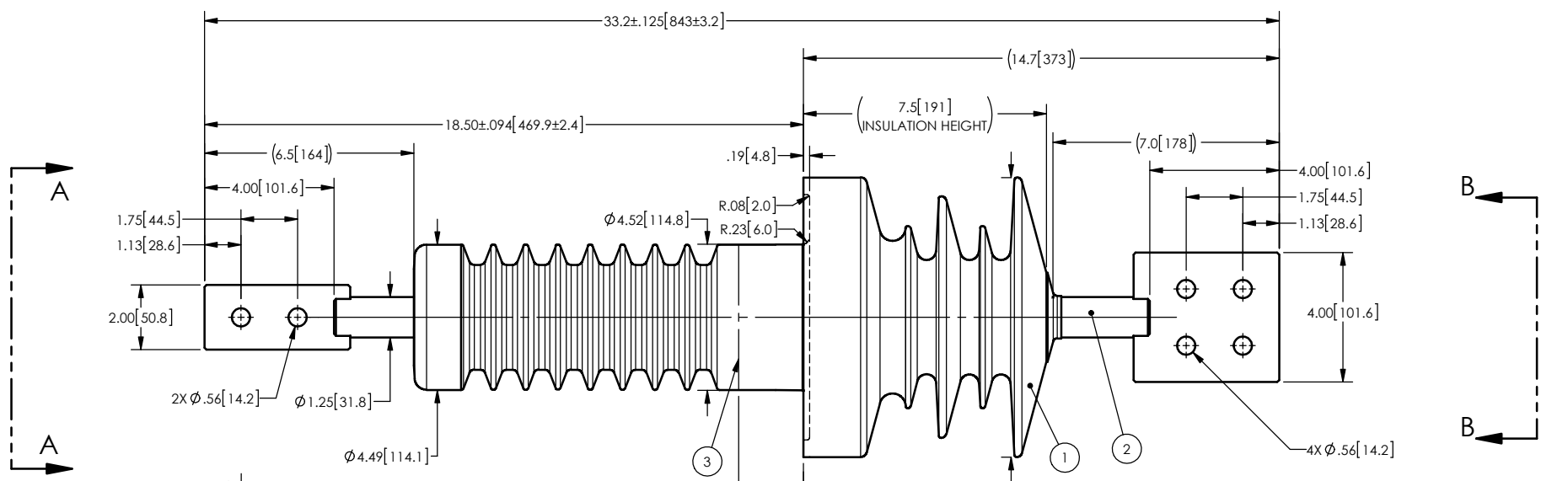


- NOTES:
- | | | | |
|---|--------------------------------------|--------------------------|-------------------|
| 1 | CREEPAGE DISTANCE RIGHT: | OUT: 19.1" / 485mm | IN: 17.7" / 450mm |
| 2 | ARC DISTANCE: | OUT: 9.7" / 246mm | IN: 11.5" / 292mm |
| 3 | NOMINAL VOLTAGE: | 15kV | |
| 4 | NOMINAL CURRENT: | 600A | |
| 5 | VOLTAGE WITHSTAND, 60 sec.: | 50kV | |
| 6 | B.I.L.: | 110kV | |
| 7 | ROUTINE TEST ACCORDING TO: | IEEE C57.19.01 | |
| 8 | MAX. TORQUE APPLIED ON FLANGE BOLTS: | 30 lbf · ft / 40.7 N · m | |
| 9 | WEIGHT: | 38 lb / 17.1 Kg | |

REVISIONS					
ZONE	REV.	DESCRIPTION	DRAWN BY	DATE	APPR.
3	1	S-5285-8307			
2	1	S-6067-5698			
1	1	S-5285-8306			



ITEM NO.	QTY	DRAWING NO.	PART NO.	DESCRIPTION	NOTE / MAT'L
3	1	S-5285-8307		ROD ASSEMBLY	COPPER
2	1	S-6067-5698		SHIELD ASSEMBLY	COPPER
1	1	S-5285-8306	-001	CASTING, CYCLOALIPHATIC RESIN	EC-APG-02

PARTS LIST					
GENERAL TOLERANCES (UNLESS OTHERWISE SPECIFIED)					
X.	±0.125				
.X	±0.094				
.XX	±0.063				
.XXX	±0.031				
ANGLES	±0.25°				
RADIUS	±0.031				
REMOVE BURRS AND BREAK SHARP EDGES					
DIMENSIONS ARE IN INCHES (UNLESS OTHERWISE SPECIFIED)					
DRAWN BY: J.N.PILOTTE		DATE: 2014/04/15		TITLE: SDC [®] BUSHING 15kV, 600A 110-006-W-533-01	
CHECK BY:		PROJECT NO.:		FORMAT: A	CAGE CODE: S-5285-8306
PROJECT MGR.:		SCALE: 1:5		GENERATED BY: SolidWorks 2013	REVISION: NR
				SHEET: 1 of 1	

This drawing is the proprietary property of Electro Composites (2008) ULC, not part of the public domain, and is issued with the express understanding and agreement that it is not to be reproduced or copied in whole or in part or issued for furnishing information to others, or used directly or indirectly, in any way detrimental to the interest of Electro Composites (2008) ULC and is to be returned upon request by Electro Composites (2008) ULC. All Rights Reserved.