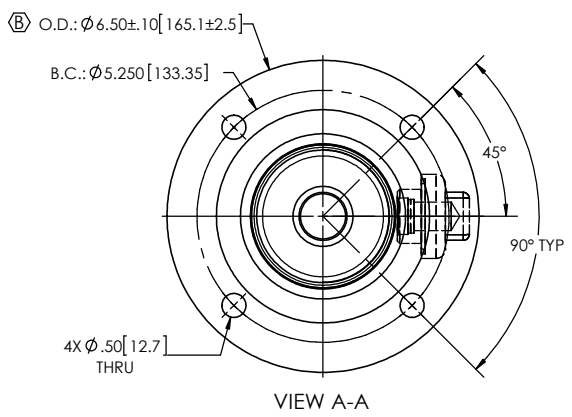
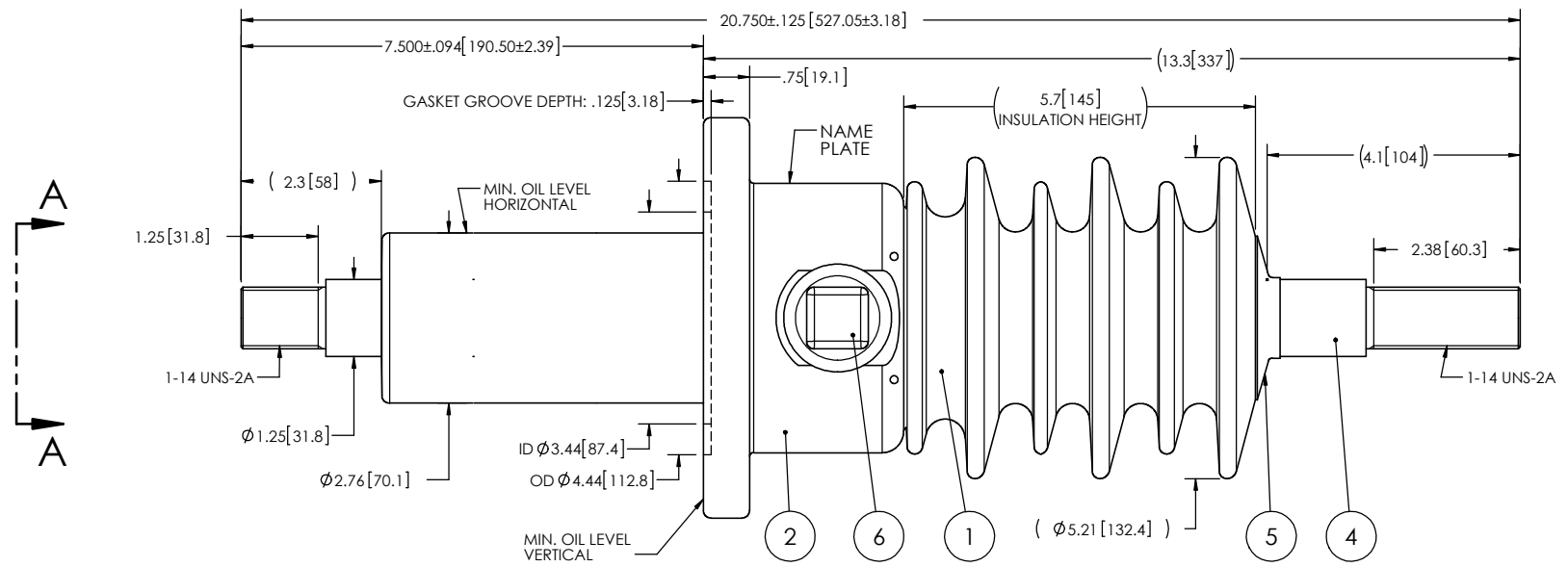


- NOTES:
- 1 CREEPAGE DISTANCE: 14.4" / 366mm
 - 2 ARC DISTANCE: 6.9" / 175mm
 - 3 NOMINAL VOLTAGE: 15kV
 - 4 NOMINAL CURRENT: 1000A
 - 5 VOLTAGE WITHSTAND, 60 sec.: 50kV
 - 6 BIL: 110kV
 - 7 ROUTINE TEST ACCORDING TO: IEEE C57.19.01
 - 8 MAX. TORQUE APPLIED ON FLANGE BOLTS: 40 lbf·ft / 54.2 N·m
 - 9 WEIGHT: 18 lb / 8.2 kg

REVISIONS					
ZONE	REV.	DESCRIPTION	DRAWN BY	DATE	APPR.
B4	A	THE SHIELD CHANGE FROM S-5783-5448 TO S-6132-7684	J. CLICHE	2012-12-10	J.V.
-- A3 C6	B	GENERAL UPDATE TO ACTUAL STANDARD GENERAL TOLERANCE LOOSEN INCREASE TOLERANCE ON FLANGE OUTSIDE DIAMETER.	M. FORGET	2018-07-11	Y.V.



ITEM NO.	QTY	DRAWING NO.	PART NO.	DESCRIPTION	NOTE / MAT'L
6	1	S-1001-2022		CAPACITANCE TAP ASSEMBLY	ALUMINUM
5	1	S-1016-0008		CAP	COPPER
4	1	S-6132-5756		ROD ASSEMBLY	COPPER
3	1	S-6132-7684		SHIELD ASSEMBLY	COPPER
2	1	S-6132-5754		FLANGE	ALUMINUM
1	1	S-6132-5753	-001	CASTING, CYCLOALIPHATIC RESIN	EC-APG-02

PARTS LIST

GENERAL TOLERANCES (UNLESS OTHERWISE SPECIFIED)		ElectroComposites solid HV bushings solution	
X.	±0.125		
.X	±0.094	TITLE: SDC® BUSHING 15kV, 1000A MODEL: 110-010-T-541-00	
.XX	±0.063	FORMAT: A	CAGE CODE: S-6132-5753
.XXX	±0.031	DRAWING NO.:	REVISION: B
ANGLES	±0.25°	SCALE: 1:3	GENERATED BY: SolidWorks 2012
RADIUS	±0.031	PROJECT MANAGER:	SHEET: 1 of 1

REMOVE BURRS AND BREAK SHARP EDGES
DIMENSIONS ARE IN INCHES (UNLESS OTHERWISE SPECIFIED)

This drawing is the proprietary property of Electro Composites (2008) ULC, not part of the public domain, and is issued with the express understanding and agreement that it is not to be reproduced or copied in whole or in part or issued for furnishing information to others, or used directly or indirectly, in any way detrimental to the interest of Electro Composites (2008) ULC and is to be returned upon request by Electro Composites (2008) ULC. All Rights Reserved.