

SD54300

NO. OF CABLES	CONDUCTOR RANGE	TRANSFORMER RATING	CAT. NO.	FIG. NO.	T	Z	REFERENCE
4	4/0 STR. (.528 DIA) TO 500 MCM (.813 DIA.) COPPER CABLES	150 KVA 3 PHASE	K22B34-2N	1	.50	5.95	
4		150 KVA 3 PHASE	K22B34-4N	2	.28	5.95	
6		150 KVA 3 PHASE	K33B34-2N	1	.50	7.09	
6		150 KVA 3 PHASE	K33B34-4N	2	.28	7.09	FD81098
8		500 KVA 3 PHASE	K44B34-2N	1	.50	8.23	
8		500 KVA 3 PHASE	K44B34-4N	2	.28	8.23	

REV.	DATE	REVISION DESCRIPTION	BY	CHK'D.
1	1-22-64	REV. REF. PRINT APP. 951-A (EC17769)	M.A.P.	MTM
2	10-19-65	REV. REF. PRINT (EC32303)	ENS	BAJ
3	11-24-66	REV. REF. PRINT (EC 34017) (UP)	MMW	E.W.B.
4	2/20/72	5/8"-18" X 3/4" BRASS SOCKET SET SCREWS WAS PLATED STEEL (ECP1550)	J.D.	P.S.
5	7-11-78	REV. REF. PRINT (ECP2769)	MMW	MM

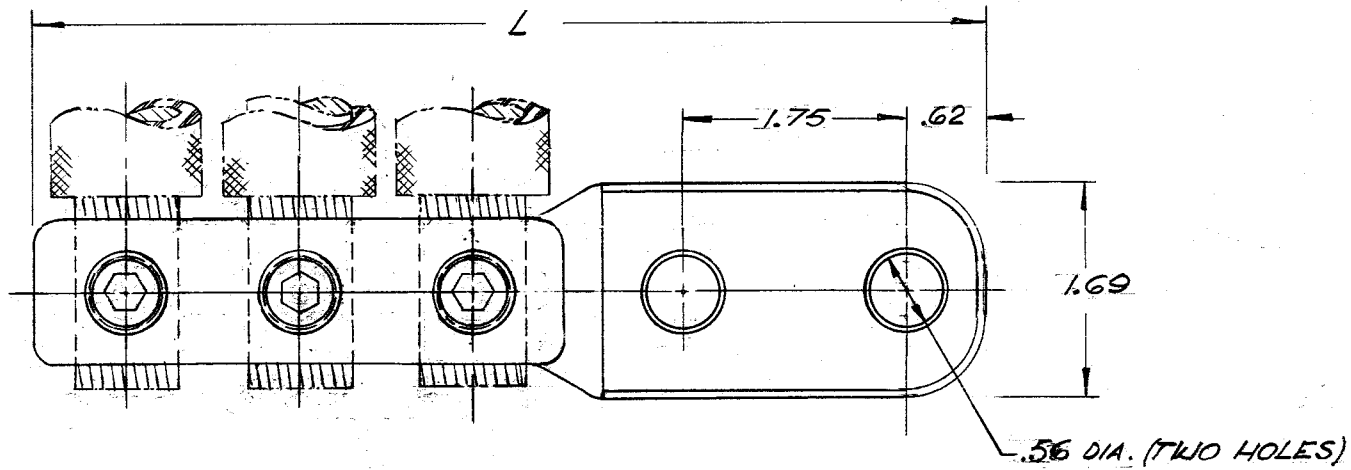


FIG. 1

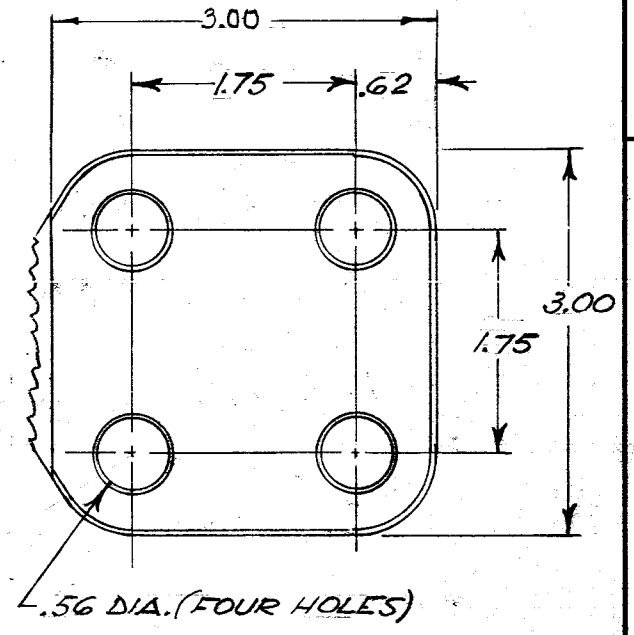
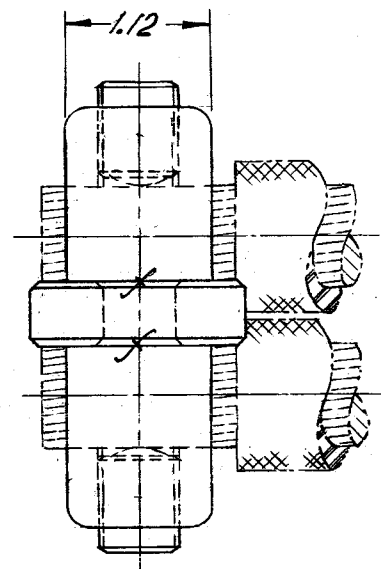
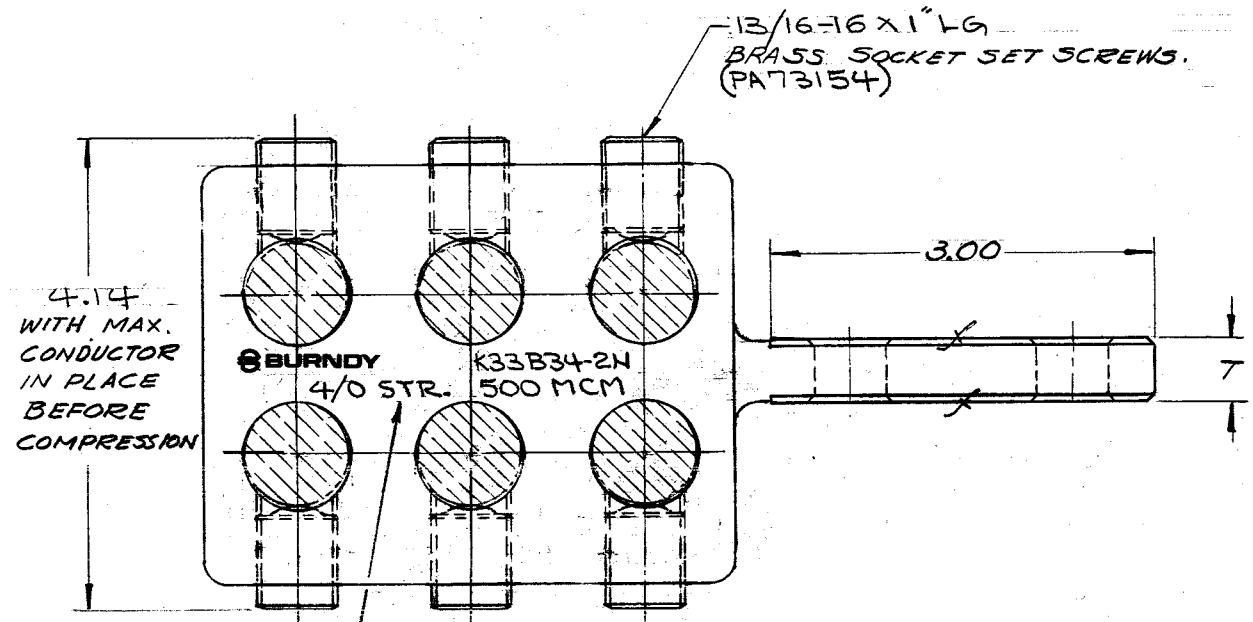


FIG. 2



4.14 WITH MAX. CONDUCTOR IN PLACE BEFORE COMPRESSION

BURNDY K33B34-2N 4/0 STR. 500 MCM

TYPICAL LETTERING

MATERIAL: CAST COPPER ALLOY.
FINISH: TIN PLATED.

SD54300

MULTIPLE KALUG

CAT. NO. K-B34 (TABLE)

DRAWN T.A.L. 7-2-63

CHECKED ERD 7-2-63

DES. APPROV. J.R. 7-12-63

PROD. APPROV.

DRAWING NO. SD5430015

THIS DRAWING AND / OR SPECIFICATION IS THE PROPERTY OF THE BURNDY CORPORATION. IT IS ISSUED IN STRICT CONFIDENCE, AND SHALL NOT BE REPRODUCED, OR COPIED, OR DISCLOSED TO OTHERS, OR USED AS THE BASIS FOR THE MANUFACTURE OR SALE OF APPARATUS WITHOUT THE PERMISSION OF THE OWNER.