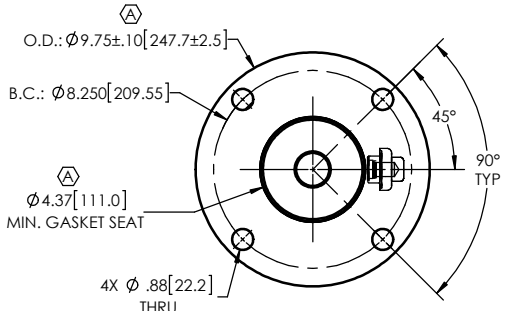
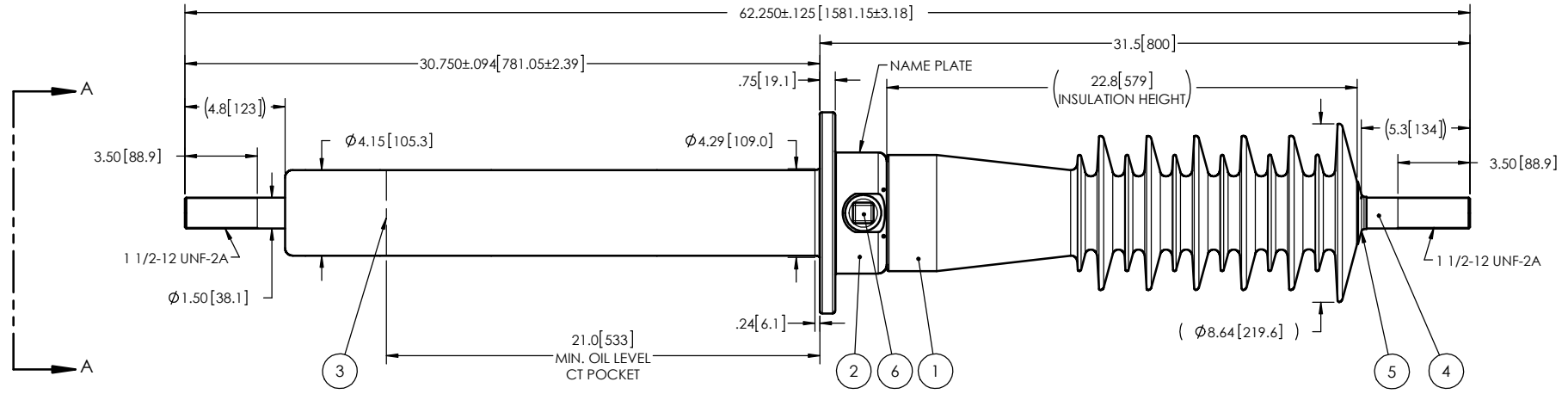


- NOTES:
- | | | |
|---|--------------------------------------|--------------------------|
| 1 | CREEPAGE DISTANCE: | 52.2" / 1326mm |
| 2 | ARC DISTANCE: | 25.0" / 635mm |
| 3 | NOMINAL VOLTAGE: | 46 kV |
| 4 | NOMINAL CURRENT: | 1200A |
| 5 | VOLTAGE WITHSTAND, 60 sec.: | 105kV |
| 6 | BIL : | 250kV |
| 7 | ROUTINE TEST ACCORDING TO: | IEEE C57.19.01 |
| 8 | MAX. TORQUE APPLIED ON FLANGE BOLTS: | 40 lbf · ft / 54.2 N · m |
| 9 | WEIGHT: | 94 lb / 42.6 Kg |

REVISIONS					
ZONE	REV.	DESCRIPTION	DRAWN BY	DATE	APPR.
A2 C6 B6	A	ADD THE "SDC" DESIGNATION TO THE BUSHING NAME. INCREASE THE TOLERANCE ON THE FLANGE O.D. ADD THE "MINIMUM GASKET SEAT" DIMENSION.	J. CLICHE	2016-05-30	J.V.



VIEW A-A

ITEM NO.	QTY	DRAWING NO.	PART NO.	DESCRIPTION	NOTE / MAT'L
6	1	S-1001-2022		CAPACITANCE TAP ASSEMBLY	ALUMINUM
5	1	S-1001-0007		CAP	COPPER
4	1	S-6222-5908		ROD ASSEMBLY	COPPER
3	1	S-6222-5907		SHIELD ASSEMBLY	COPPER
2	1	S-5285-5014		FLANGE	ALUMINUM
1	1	S-5730-5407	-001	CASTING, CYCLOALIPHATIC RESIN	EC-APG-02

PARTS LIST

GENERAL TOLERANCES (UNLESS OTHERWISE SPECIFIED)

X.	±0.125
.X	±0.094
.XX	±0.063
.XXX	±0.010
ANGLES	±0.25°
RADIUS	±0.031

REMOVE BURRS AND BREAK SHARP EDGES

DIMENSIONS ARE IN INCHES (UNLESS OTHERWISE SPECIFIED)

Electro Composites™
solid HV bushings solution

TITLE: SDC® BUSHING 46 kV, 1200A
MODEL: 250-012-T-549-00

DRAWN BY: A.SAVARD	DATE: 2010/06/07	FORMAT: A	CAGE CODE	DRAWING NO.: S-6222-5807	REVISION: A
PROJECT ENG.:		SCALE: 1:8	GENERATED BY: SolidWorks 2013	SHEET: 1 of 1	

This drawing is the proprietary property of Electro Composites (2008) ULC, not part of the public domain, and is issued with the express understanding and agreement that it is not to be reproduced or copied in whole or in part or issued for furnishing information to others, or used directly or indirectly, in any way detrimental to the interest of Electro Composites (2008) ULC and is to be returned upon request by Electro Composites (2008) ULC. All Rights Reserved.