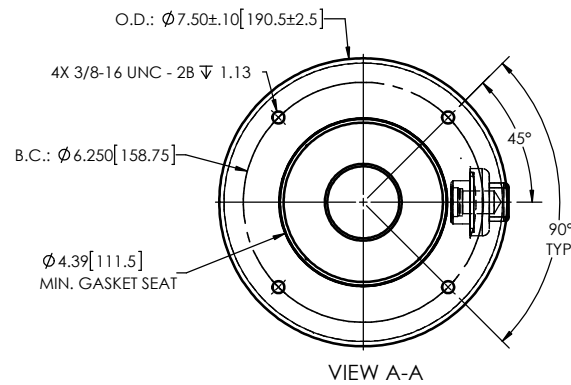
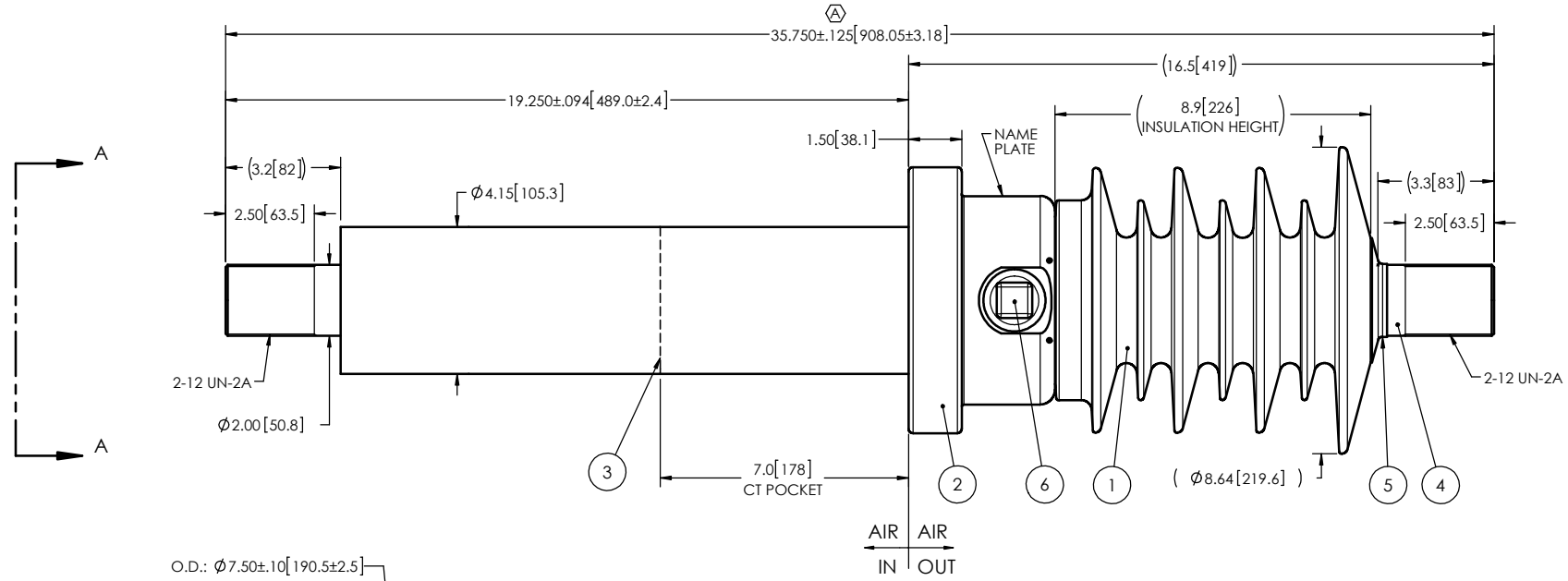


NOTES:

- | | | | | |
|---|--------------------------------------|--------------------------|-------------------|---|
| 1 | CREEPAGE DISTANCE: | OUT: 26.7" / 678mm | IN: 10.1" / 257mm | Ⓐ |
| 2 | ARC DISTANCE: | OUT: 11.3" / 287mm | IN: 10.1" / 257mm | |
| 3 | NOMINAL VOLTAGE: | 25kV | | |
| 4 | NOMINAL CURRENT: | 2000A | | |
| 5 | VOLTAGE WITHSTAND, 60 sec.: | 60kV | | |
| 6 | BIL : | 150kV | | |
| 7 | ROUTINE TEST ACCORDING TO: | IEEE C57.19.01 | | |
| 8 | MAX. TORQUE APPLIED ON FLANGE BOLTS: | 40 lbf · ft / 54.2 N · m | | |
| 9 | WEIGHT: | 68 lb / 30.8 kg | | |

REVISIONS					
ZONE	REV.	DESCRIPTION	DRAWN BY	DATE	APPR.
F4 E3	A	CREEPAGE DISTANCE CHANGE FROM 9.1" TO 10.1" (IN & OUT) ADD THE TOLERANCE ±.125 ON THE TOTAL LENGTH DIMENSION	J. CLICHE	2015-06-18	Y.V.



ITEM NO.	QTY	DRAWING NO.	PART NO.	DESCRIPTION	NOTE / MAT'L
6	1	S-1001-2022		CAPACITANCE TAP ASSEMBLY	ALUMINIUM
5	1	S-1344-0162		CAP	ALUMINIUM
4	1	S-0078-8434		ROD ASSEMBLY	COPPER
3	1	S-0078-8433		SHIELD ASSEMBLY	COPPER
2	1	S-0078-8432		FLANGE	ALUMINIUM
1	1	S-0078-8431	-001	CASTING, CYCLOALIPHATIC RESIN	EC-APG-02

PARTS LIST					
GENERAL TOLERANCES (UNLESS OTHERWISE SPECIFIED)			Electro Composites solid HV bushings solution		
X.	±0.125				
.X	±0.094		TITLE: SDC® BUSHING 25kV, 2000A MODEL: 150-020-S-559-01		
.XX	±0.063		DRAWN BY: J.N.PILOTTE	DATE: 2014/06/18	
.XXX	±0.031		CHECK BY:		
ANGLES	±0.25°		PROJECT NO.:		
RADIUS	±0.031		PROJECT MANAGER:		
REMOVE BURRS AND BREAK SHARP EDGES			SCALE:	1:5	
DIMENSIONS ARE IN INCHES (UNLESS OTHERWISE SPECIFIED)			GENERATED BY:	SolidWorks 2013	SHEET: 1 of 1

This drawing is the proprietary property of Electro Composites (2008) ULC, not part of the public domain, and is issued with the express understanding and agreement that it is not to be reproduced or copied in whole or in part or issued for furnishing information to others, or used directly or indirectly, in any way detrimental to the interest of Electro Composites (2008) ULC and is to be returned upon request by Electro Composites (2008) ULC. All Rights Reserved.