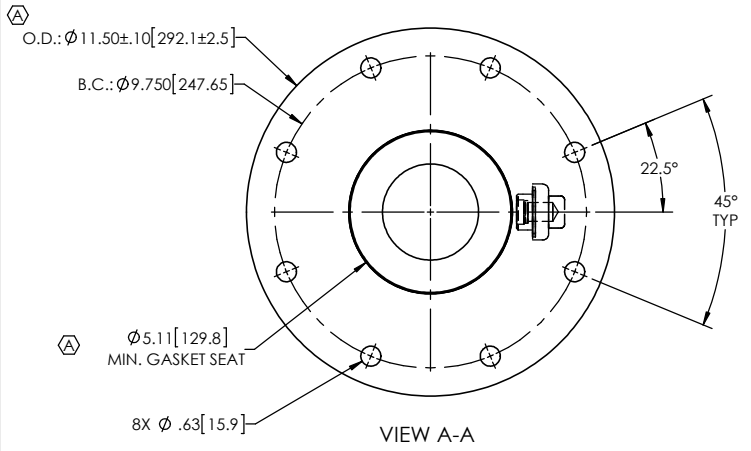
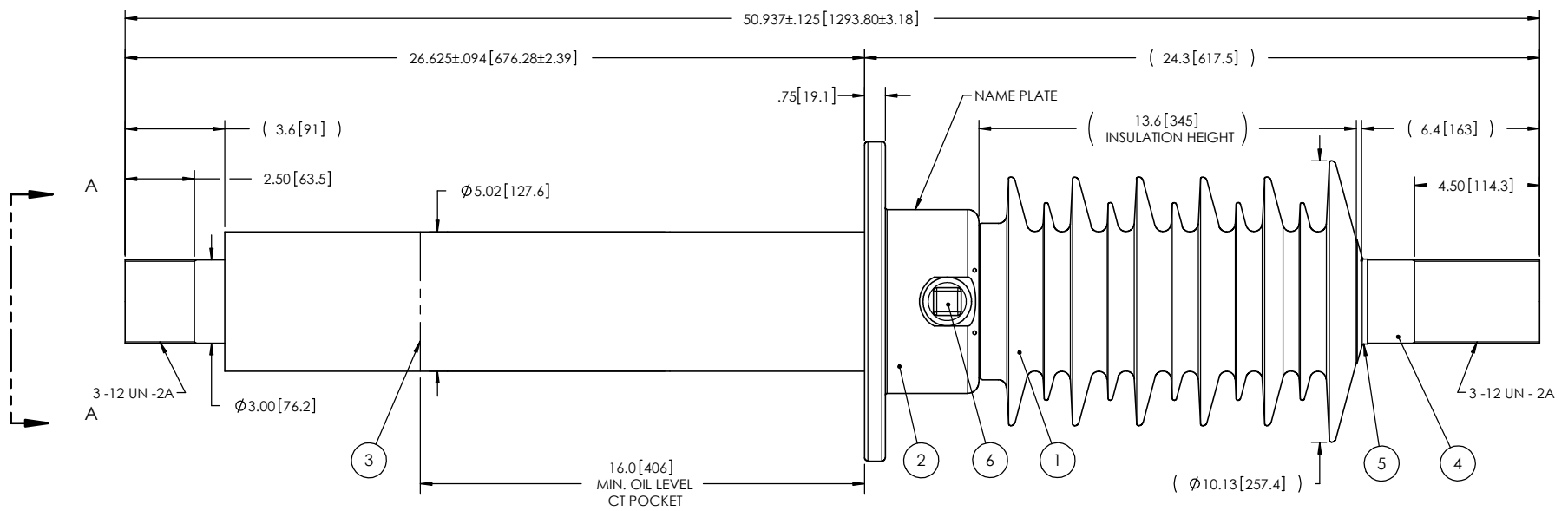


- NOTES: (A)
- 1 CREEPAGE DISTANCE: 41.2" / 1048mm
 - 2 ARC DISTANCE: 16.6" / 423mm
 - 3 NOMINAL VOLTAGE: 25kV
 - 4 NOMINAL CURRENT: 3500A
 - 5 VOLTAGE WITHSTAND, 60 sec.: 60kV
 - 6 BIL : 150kV
 - 7 ROUTINE TEST ACCORDING TO: IEEE C57.19.01
 - 8 MAX. TORQUE APPLIED ON FLANGE BOLTS: 70 lbf x pi / 94.9 N.m
 - 9 MAXIMUM OPERATING TEMPERATURE: 130°C
 - 10 WEIGHT: 173 lb / 78.5 kg

REVISIONS					
ZONE	REV.	DESCRIPTION	DRAWN BY	DATE	APPR.
A2 A6 B1 C6 F6	A	ADD THE "SDC" DESIGNATION TO THE BUSHING NAME. ADD THE MINIMUM GASKET SEAT DIMENSION. CYCLOALIPHATIC RESIN REVISED FROM EC-APG-15 TO EC-APG-15NA INCREASE THE TOLERANCES ON THE FLANGE OUTSIDE DIAMETER. GENERAL UPDATE OF NOTES	M. FORGET	2019-10-03	Y.V.



ITEM NO.	QTY.	DRAWING NO.	PART NO.	DESCRIPTION	NOTE / MAT'L
6	1	S-1001-2022		CAPACITANCE TAP ASSEMBLY	ALUMINUM
5	1	S-3529-2532-0		CAP	COPPER
4	1	S-6307-5916		ROD ASSEMBLY	COPPER
3	1	S-6307-5915		SHIELD ASSEMBLY	COPPER
2	1	S-6307-5914		FLANGE	ALUMINUM
1	1	S-6307-5913	-001	CASTING, CYCLOALIPHATIC RESIN	(A) EC-APG-15NA

Electro Composites™
solid HV bushings solution

TITLE: (A) SDC® BUSHING 25kV, 3500A
MODEL: 150-035-T-560-00

DRAWN BY: J.N.PILOTTE	DATE: 2010/06/09	FORMAT: A	CAGE CODE:	DRAWING NO.: S-6307-5913	REVISION: A
CHECK BY:		PROJECTING:		SCALE: 1:6	GENERATED BY: SolidWorks 2009
PROJECT MANAGER:				SHEET: 1 of 1	

GENERAL TOLERANCES (UNLESS OTHERWISE SPECIFIED)
 X. ±0.125
 .X ±0.094
 .XX ±0.063
 .XXX ±0.031
 ANGLES ±0.25°
 RADIUS ±0.031

REMOVE BURRS AND BREAK SHARP EDGES
 DIMENSIONS ARE IN INCHES (UNLESS OTHERWISE SPECIFIED)

This drawing is the proprietary property of Electro Composites (2008) ULC, not part of the public domain, and is issued with the express understanding and agreement that it is not to be reproduced or copied in whole or in part or issued for furnishing information to others, or used directly or indirectly, in any way detrimental to the interest of Electro Composites (2008) ULC and is to be returned upon request by Electro Composites (2008) ULC. All Rights Reserved.