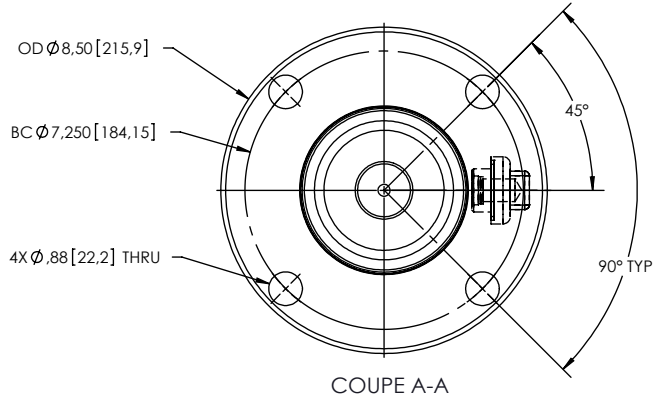
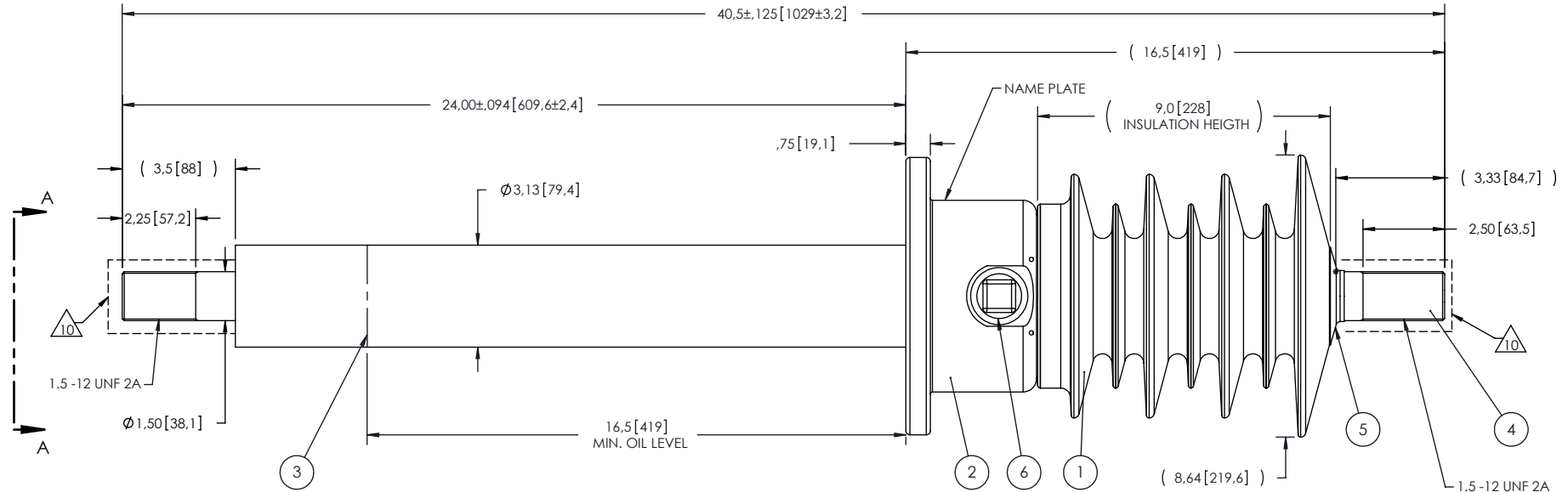


NOTES:

- 1 CREEPAGE DISTANCE: 26.6" / 675mm
- 2 ARC DISTANCE: 11.5" / 293mm
- 3 NOMINAL VOLTAGE: 25kV
- 4 NOMINAL CURRENT: 2000A
- 5 WITHSTAND VOLTAGE AT 60 sec.: 50kV
- 6 BIL: 150kV
- 7 ROUTINE TEST ACCORDING TO IEEE C57.19.01
- 8 MAX. TORQUE APPLIED ON FLANGE BOLTS: 40 lbf x ft
- 9 WEIGHT: 52 lbs / 23.9 Kg

10 SILVER PLATED, AS PER ASTM B700, TYPE 1, GRADE D, CLASS N, NO NICKEL LAYER, FROM 13 TO 20 MICROMETERS THICKNESS



This drawing is the proprietary property of Electro Composites (2008) ULC, not part of the public domain, and is issued with the express understanding and agreement that it is not to be reproduced or copied in whole or in part or issued for furnishing information to others, or used directly or indirectly, in any way detrimental to the interest of Electro Composites (2008) ULC and is to be returned upon request by Electro Composites (2008) ULC. All Rights Reserved.

ITEM NO.	QTY	DRAWING NO.	PART NO.	DESCRIPTION	NOTE / MAT'L
6	1	S-1001-2022		CAPACITANCE TAP ASSEMBLY	ALUMINUM
5	1	S-1001-0007		CAP	COPPER
4	1	S-7457-7074		ROD ASSEMBLY	COPPER
3	1	S-7457-7073		SHELD-ASSEMBLY	COPPER
2	1	S-6074-5716		FLANGE	ALUMINUM
1	1	S-7457-7072	-001	CASTING, CYCLOALIPHATIC RESIN	EC-APG-02

PARTS LIST					
GENERAL TOLERANCES (UNLESS OTHERWISE SPECIFIED) X. ±0.125 .X ±0.094 .XX ±0.063 .XXX ±0.010 ANGLES ±0.1° RADIUS ±0.031			Electro Composites™ solid HV bushings solution		
REMOVE BURRS AND BREAK SHARP EDGES DIMENSIONS ARE IN INCHES (UNLESS OTHERWISE SPECIFIED)			TITLE: BUSHING 25kV, 2000A MODEL: 150-020-T-561-01		
DRAWN BY: J.N.PILOTTE		DATE: 2012/02/13		FORMAT: A	CAGE CODE:
CHECK BY:		PROJECT NO.:		DRAWING NO. S-7457-7072	
PROJECT MGR.:		SCALE: 1:5		GENERATED BY: SolidWorks 2009	REVISION: NR
				SHEET: 1 of 1	