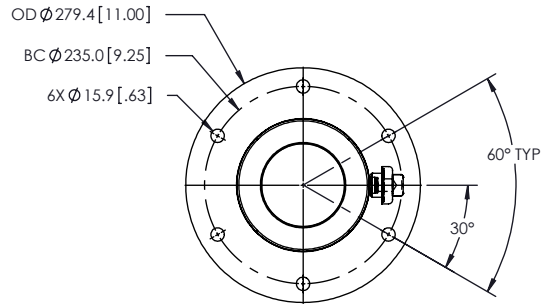
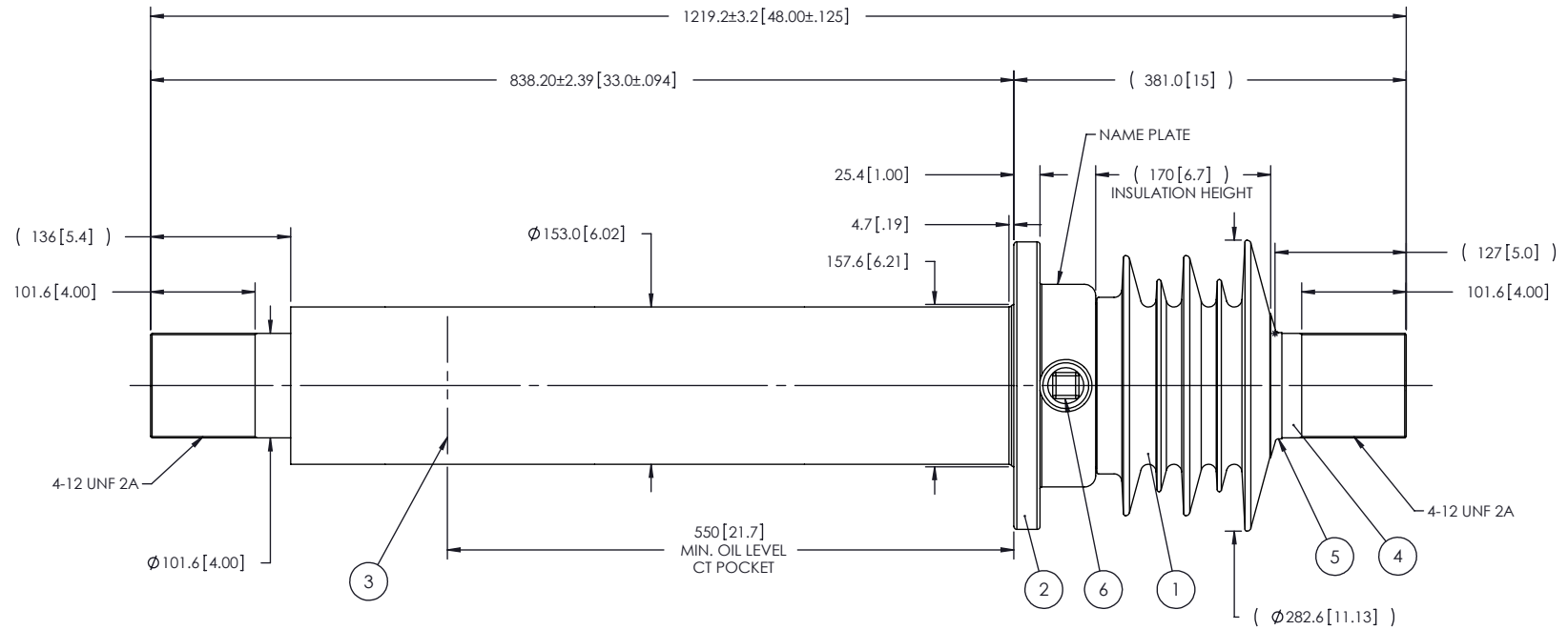


NOTES:

- 1 CREEPAGE DISTANCE: 511.8 mm/20.15"
- 2 ARC DISTANCE: 247.5 mm/9.75"
- 3 NOMINAL VOLTAGE: 15kV
- 4 NOMINAL CURRENT: 4000A
- 5 WITHSTAND VOLTAGE AT 60 sec.: 50kV
- 6 B.I.L. : 110kV
- 7 ROUTINE TEST ACCORDING TO CSA C88.1-96
- 8 MAX. TORQUE APPLIED ON FLANGE BOLTS: 40 lbf.ft/54.2N.m
- WEIGHT: 114.6 Kg / 252. lbs



VIEW A-A

ITEM NO.	QTY	DRAWING NO.	PART NO.	DESCRIPTION	NOTE / MAT'L
6	1	S-1001-2022		CAPACITANCE TAP ASSEMBLY	ALUMINUM
5	1	S-3974-3543		CAP	COPPER
4	1	S-6174-6052		ROD ASSEMBLY	COPPER
3	1	S-6174-6051		SHIELD ASSEMBLY	COPPER
2	1	S-6174-6050		FLANGE	ALUMINUM
1	1	S-6174-6049	-001	CASTING, CYCLOALIPHATIC RESIN	EC-APG-02
PARTS LIST					

GENERAL TOLERANCES (UNLESS OTHERWISE SPECIFIED)

X. ±3.2
 .X ±2.4
 .XX ±1.6
 .XXX ±0.8
 ANGLES ±1.0°
 RADIUS ±1.6

REMOVE BURRS AND BREAK SHARP EDGES

DIMENSIONS ARE IN MILLIMETERS (UNLESS OTHERWISE SPECIFIED)

Electro Composites™
solid HV bushings solution

TITLE: BUSHING 15kV, 4000A
 MODEL: 110-040-T-571-00

DRAWN BY: J.N.PILOTTE	DATE: 2010/08/27	FORMAT: A	CAGE CODE:	DRAWING NO.: S-6174-6049	REVISION: NR
CHECK BY:		SCALE: 1:7	GENERATED BY: SolidWorks 2009	SHEET: 1 of 1	

This drawing is the proprietary property of Electro Composites (2008) ULC, not part of the public domain, and is issued with the express understanding and agreement that it is not to be reproduced or copied in whole or in part or issued for furnishing information to others, or used directly or indirectly, in any way detrimental to the interest of Electro Composites (2008) ULC and is to be returned upon request by Electro Composites (2008) ULC. All Rights Reserved.