

PART No. SDB-58818 & S (SERIES)

TITLE

CRIMP TYPE  
DRAW LEAD TERMINAL



SCALE 1/1

DATE

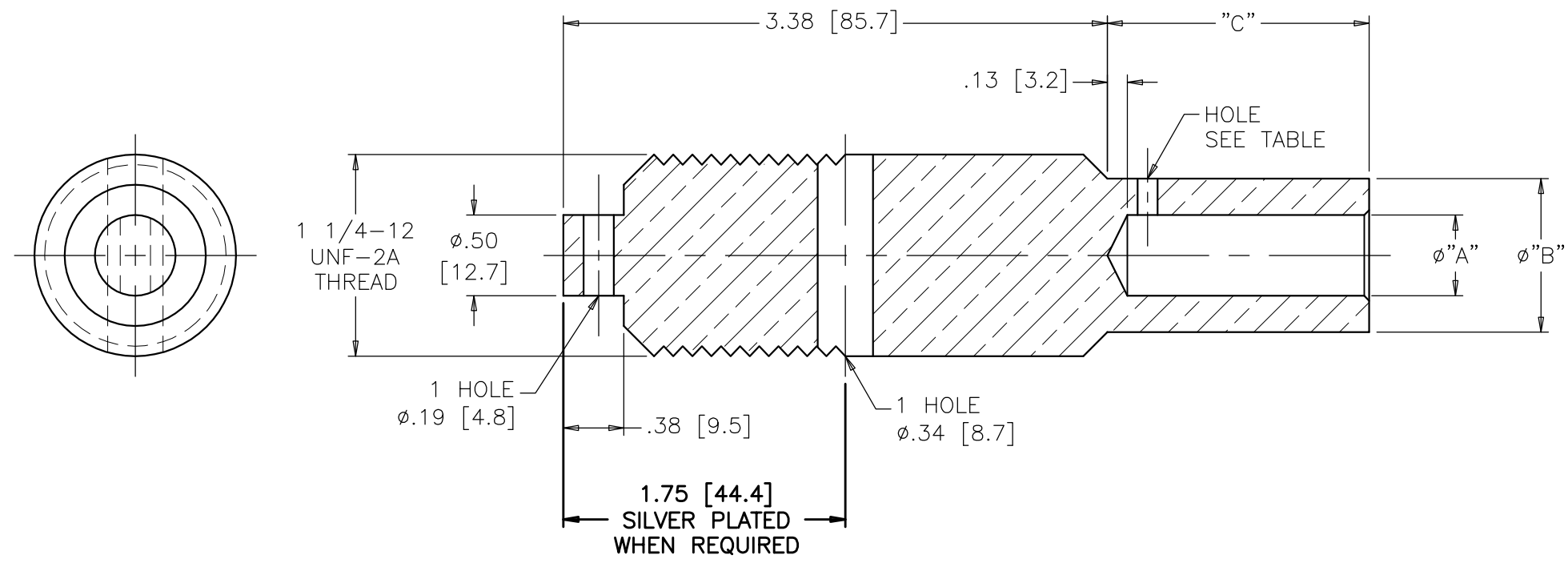
2-27-15  
9-9-16  
11-8-17

REVISION

ADDED ITEM 11 & 12  
REVISED ROUNDING & ADDED ITEM 13  
ADDED ITEMS 14, 15, 16 & 17

REF.

- NOTES: 1. DIMENSIONS ARE IN INCHES [MILLIMETERS]  
2. MATERIAL - COPPER.  
3. ADD "S" SUFFIX TO INDICATE SILVER PLATING IN DESIGNATED AREA IS REQUIRED. ex. B-58818-S1.



ITEM	"A"	"B"	"C"	HOLE	CABLE SIZE	CRIMP DIE
10	.544 [13.82]	.750 [19.05]	1.63 [41.3]	YES	2/0 AWG	4/0
9	.313 [7.94]	.472 [11.99]	2.13 [54.0]	YES	NA	NA
8	NO HOLE	1.188 [30.18]	1.63 [41.3]	NO	NA	---
7	.953 [24.21]	1.188 [30.18]	1.63 [41.3]	YES	500 MCM	500
6	.922 [23.42]	1.188 [30.18]	1.63 [41.3]	YES	400 MCM	500
5	.828 [21.03]	1.000 [25.40]	1.63 [41.3]	YES	350 MCM	350
4	.797 [20.24]	1.000 [25.40]	1.63 [41.3]	YES	300 MCM	350
3	.625 [15.88]	.750 [19.05]	1.63 [41.3]	YES	4/0 AWG	4/0
2	.594 [15.09]	.750 [19.05]	1.63 [41.3]	YES	3/0 AWG	4/0
1	.438 [11.13]	.750 [19.05]	1.63 [41.3]	YES	3 OR 1/0 AWG	4/0

ITEM	"A"	"B"	"C"	HOLE	CABLE SIZE	CRIMP DIE
17	.886 [22.50]	1.050 [26.67]	1.63 [41.3]	YES	NA	---
16	.720 [18.29]	.953 [24.21]	1.63 [41.3]	YES	NA	---
15	.720 [18.29]	.910 [23.11]	1.63 [41.3]	YES	NA	---
14	.516 [13.10]	.750 [19.05]	1.63 [41.3]	YES	NA	---
13	.953 [24.21]	1.188 [30.18]	1.63 [41.3]	NO	500 MCM	---
12	.656 [16.7]	1.000 [25.40]	1.63 [41.3]	YES	250 MCM	NA
11	.450 [11.43]	.750 [19.05]	1.63 [41.3]	YES	#2	4/0