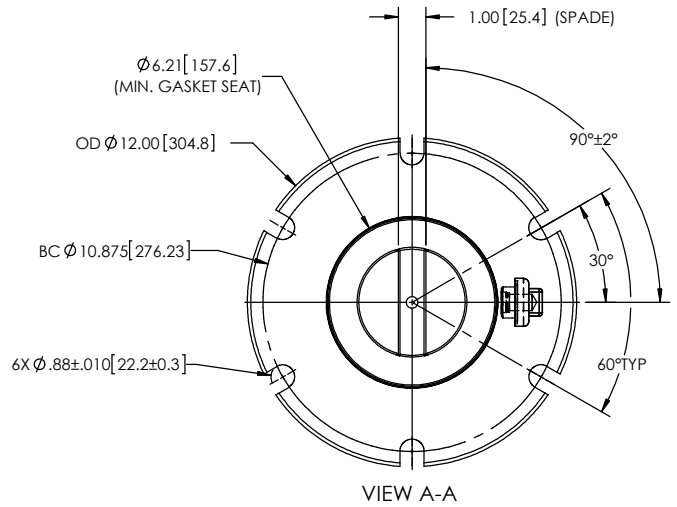
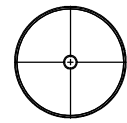
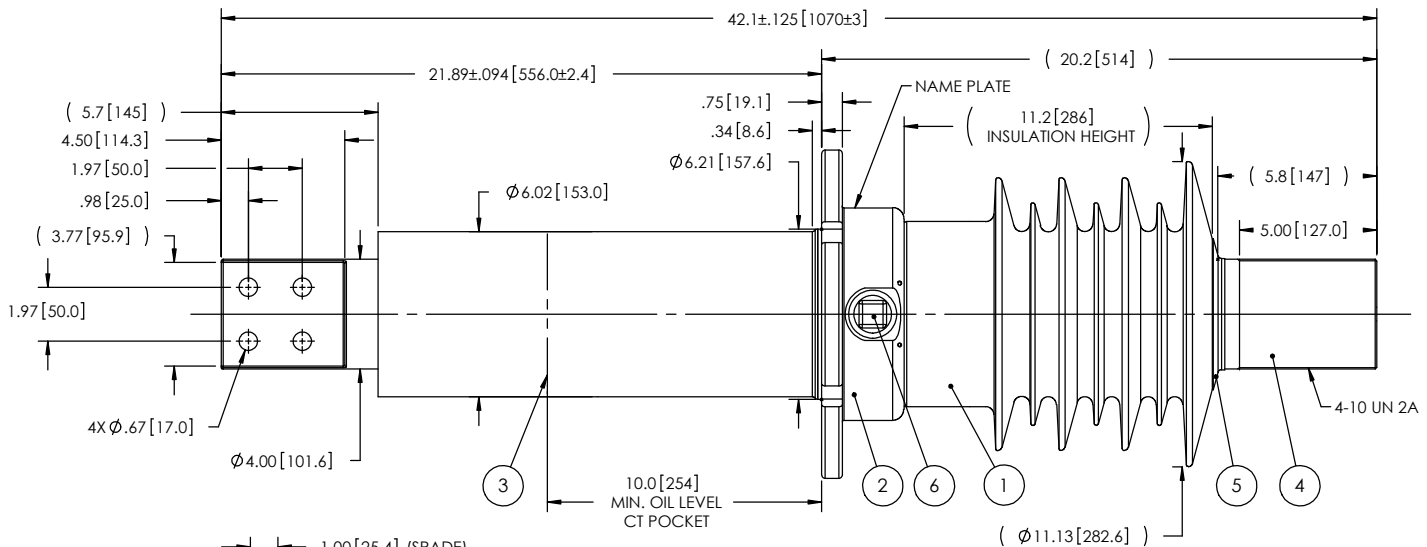


- NOTES:
- 1 CREEPAGE DISTANCE: 29.4" / 747mm
 - 2 ARC DISTANCE: 13.8" / 350mm
 - 3 NOMINAL VOLTAGE: 27.5kV
 - 4 NOMINAL CURRENT: 5000A
 - 5 WITHSTAND VOLTAGE AT 60 sec.: 70kV
 - 6 B.I.L. : 150kV
 - 7 ROUTINE TEST ACCORDING TO: CSA C88.1-96
 - 8 MAX. TORQUE APPLIED ON FLANGE BOLTS: 70 lb.ft (94.9N.m)
 - 9 WEIGHT: 243 lbs / 110.4 Kg

REVISIONS					
ZONE	REV.	DESCRIPTION	DRAWN BY	DATE	APPR.



ITEM NO.	QTY	DRAWING NO.	PART NO.	DESCRIPTION	NOTE / MAT'L
6	1	S-1001-2022		CAPACITANCE TAP ASSEMBLY	ALUMINUM
5	1	S-3974-3543		CAP	COPPER
4	1	S-2649-8358		ROD ASSEMBLY	COPPER
3	1	S-6685-6391		SHIELD ASSEMBLY	COPPER
2	1	S-2649-8357		FLANGE	ALUMINUM
1	1	S-2649-8356	-001	CASTING, CYCLOALIPHATIC RESIN	EC-APG-02

PARTS LIST

<p>GENERAL TOLERANCES (UNLESS OTHERWISE SPECIFIED)</p> <p>X. ±0.125</p> <p>.X ±0.094</p> <p>.XX ±0.063</p> <p>.XXX ±0.010</p> <p>ANGLES ±0.25°</p> <p>RADIUS ±0.031</p>		<p>ElectroComposites™ solid HV bushings solution</p>	
<p>REMOVE BURRS AND BREAK SHARP EDGES</p> <p>DIMENSIONS ARE IN INCHES (UNLESS OTHERWISE SPECIFIED)</p>		<p>TITLE: SDC® BUSHING 27.5kV, 5000A MODEL: 150-050-T-607-01</p>	
DRAWN BY: J.N.PILOTTE	DATE: 2014/05/16	FORMAT: A	CAGE CODE: S-2649-8356
CHECK BY:		DRAWING NO.:	REVISION: NR
PROJECTING:		SCALE: 1:7	GENERATED BY: SolidWorks 2013
PROJECT MANAGER:			SHEET: 1 of 1

This drawing is the proprietary property of Electro Composites (2008) ULC, not part of the public domain, and is issued with the express understanding and agreement that it is not to be reproduced or copied in whole or in part or issued for furnishing information to others, or used directly or indirectly, in any way detrimental to the interest of Electro Composites (2008) ULC and is to be returned upon request by Electro Composites (2008) ULC. All Rights Reserved.