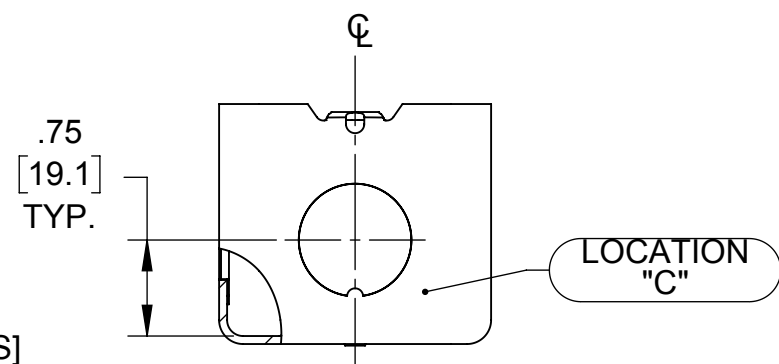
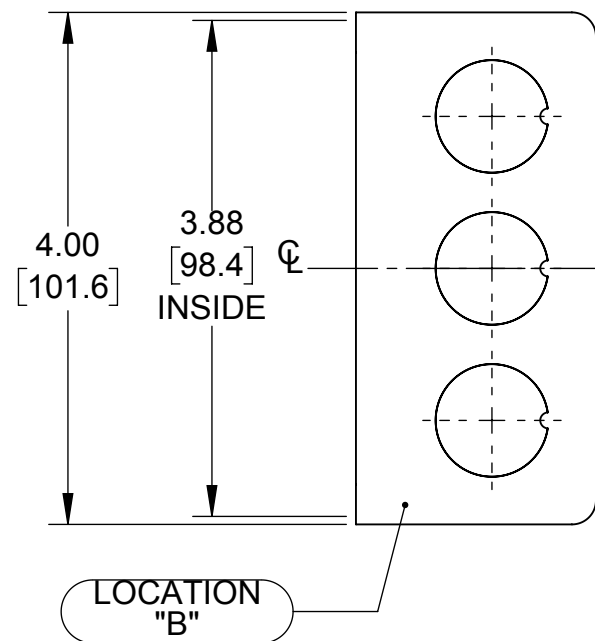
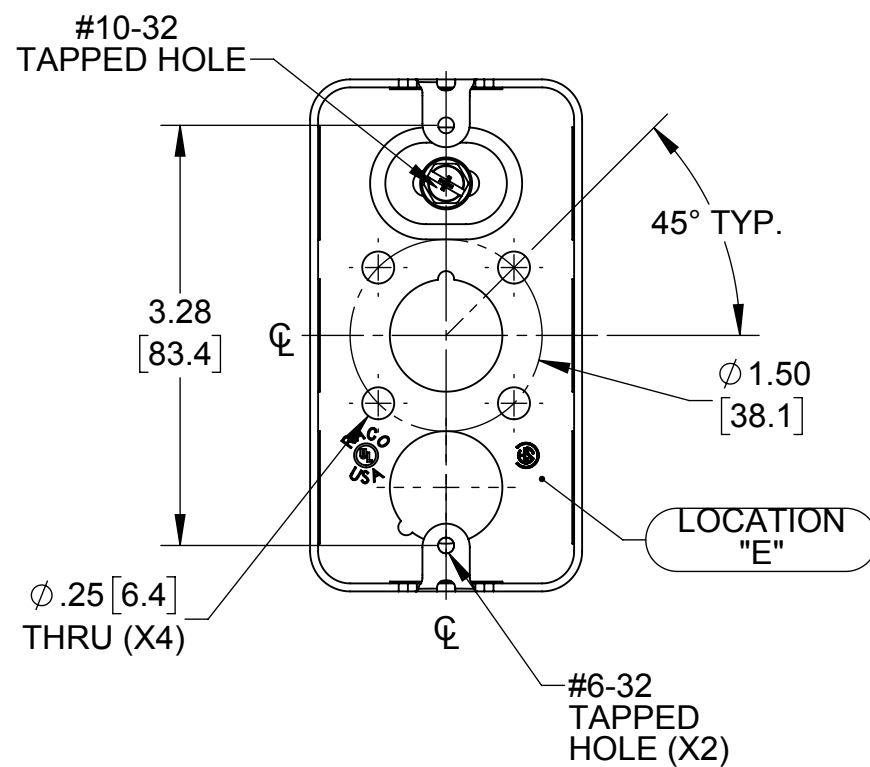
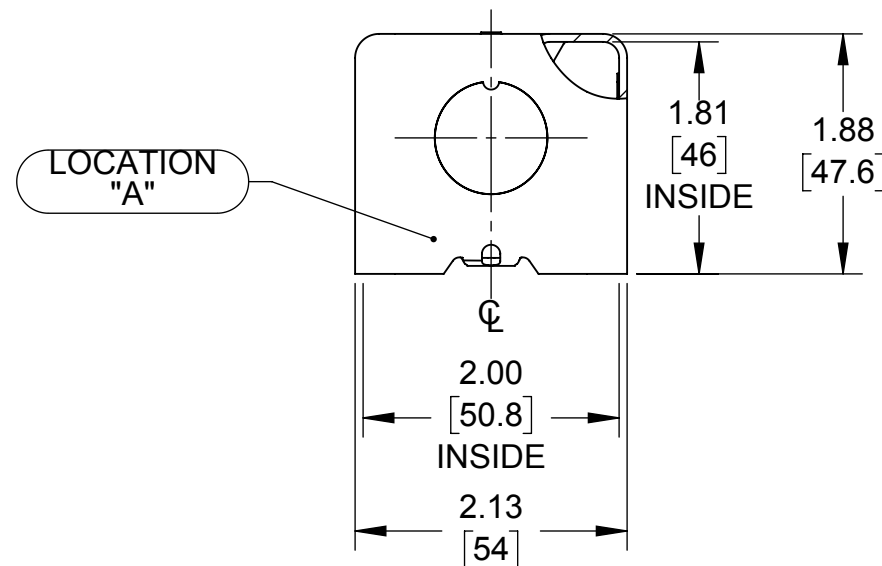
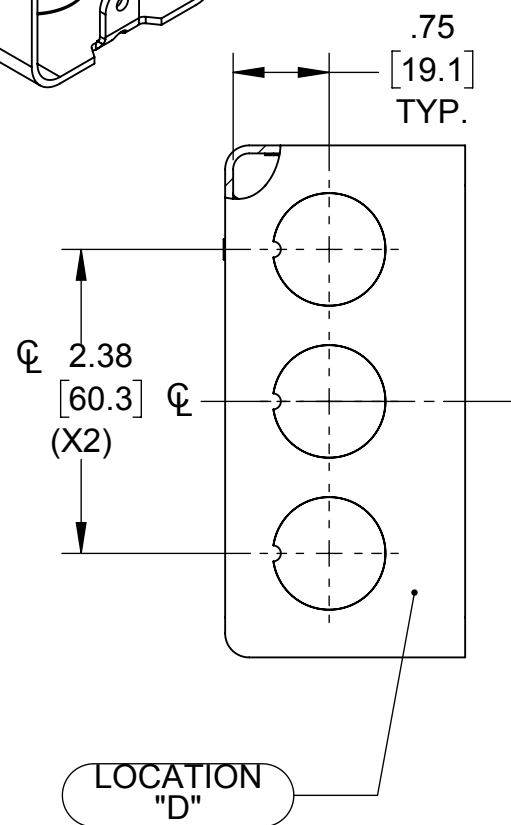
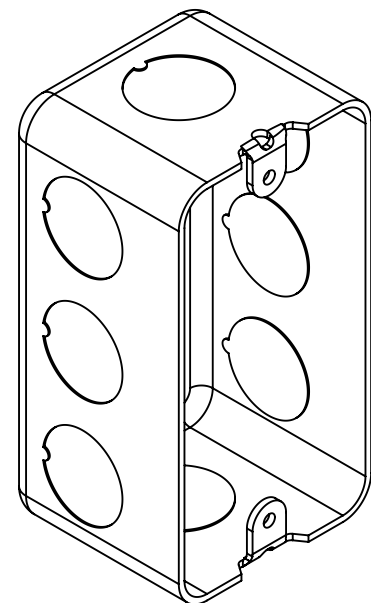


**LIST OF PARTS**

DESCRIPTION	MATERIAL	FINISH
HANDY BOX	STEEL	GALVANIZED
SCREW	STEEL	



- NOTES:
1. ALL DIMENSIONS ARE IN INCHES AND [MILLIMETERS]
  2. BOX VOLUME: 16.5 IN<sup>3</sup> [270.4 CM<sup>3</sup>]
  3. UL LISTED

KNOCKOUTS		
TRADE SIZE	LOCATION	QTY.
1/2" KO	B,D	3
1/2" KO	E	2
1/2" KO	A,C	1

SYMBOL	REVISION DESCRIPTION	APP	DATE
	INITIAL RELEASE	N.S.	02-10-17

THE DESIGN AND DIMENSIONS OF THE PRODUCT SHOWN ON THIS DRAWING ARE SUBJECT TO CHANGE WITHOUT NOTICE

TITLE:  
**4" X 2" HANDY BOX (DRAWN) 1-7/8" DEEP WITH SCREW**

TOLERANCE UNLESS OTHERWISE SPECIFIED  
.XX DECIMAL ±.015  
.XXX DECIMAL ±.005  
ANGLE ±2°

**RACO**  
South Bend, Indiana

DRAWN BY:	RMV	SCALE:	2:3
APP. BY:	N.S.		
DATE:	02-10-17		