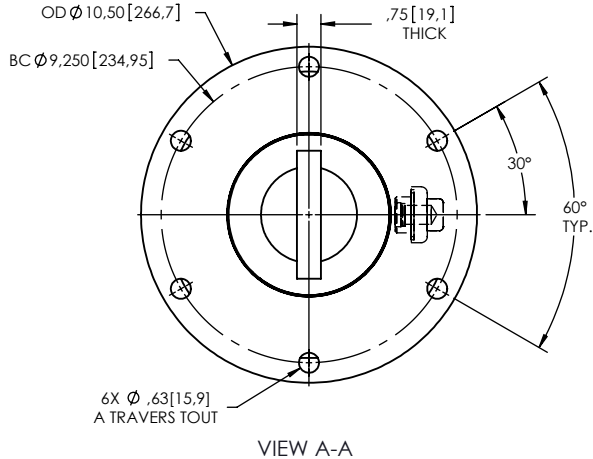
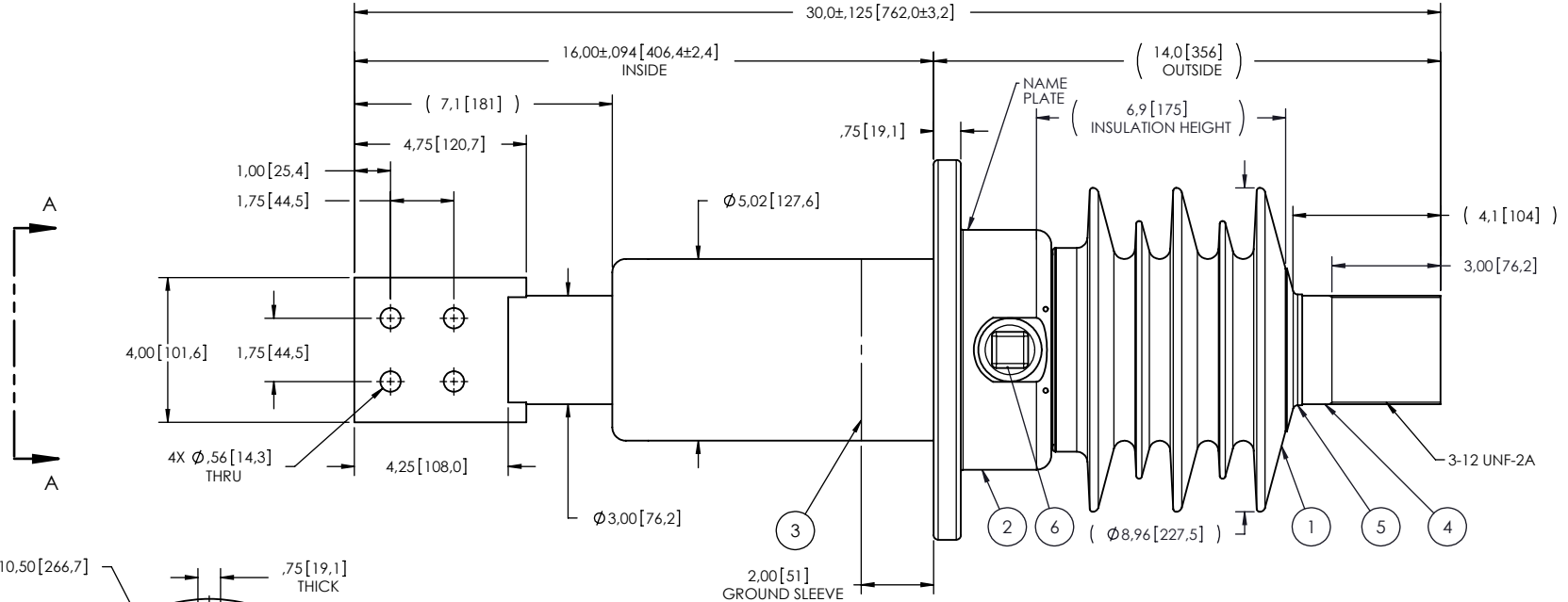


NOTES:

- 1 CREEPAGE DISTANCE OUTSIDE: 19.1" / 484mm
- 2 CREEPAGE DISTANCE INSIDE: 8.8" / 225mm
- 3 ARC DISTANCE OUTSIDE: 7.7" / 196mm
- 4 ARC DISTANCE INSIDE: 7.7" / 196mm
- 5 NOMINAL VOLTAGE: 15kV
- 6 NOMINAL CURRENT: 4000A
- 7 WITHSTAND VOLTAGE AT 60 sec.: 50kV
- 8 B.I.L. : 110kV
- 9 ROUTINE TEST ACCORDING TO: IEEE C57.19.01
- 10 MAX. TORQUE APPLIED ON FLANGE BOLTS: 40 lbf.ft/54.2 N.m
- 11 WEIGHT: 92 lbs / 41.7 Kg



This drawing is the proprietary property of Electro Composites (2008) ULC, not part of the public domain, and is issued with the express understanding and agreement that it is not to be reproduced or copied in whole or in part or issued for furnishing information to others, or used directly or indirectly, in any way detrimental to the interest of Electro Composites (2008) ULC and is to be returned upon request by Electro Composites (2008) ULC. All Rights Reserved.

| ITEM NO. | QTY | DRAWING NO. | PART NO. | DESCRIPTION | NOTE / MAT'L |
|----------|-----|-------------|----------|-------------------------------|--------------|
| 6 | 1 | S-1001-2022 | | CAPACITANCE TAP ASSEMBLY | ALUMINUM |
| 5 | 1 | S-3529-2532 | | CAP | COPPER |
| 4 | 1 | S-7085-6682 | | ROD ASSEMBLY | COPPER |
| 3 | 1 | S-7085-6681 | | SHIELD ASSEMBLY | COPPER |
| 2 | 1 | S-5928-5621 | | FLANGE | ALUMINUM |
| 1 | 1 | S-7085-6680 | -001 | CASTING, CYCLOALIPHATIC RESIN | EC-APG-02 |

PARTS LIST

GENERAL TOLERANCES (UNLESS OTHERWISE SPECIFIED)

- X. ±0.125
- .X ±0.094
- .XX ±0.063
- .XXX ±0.031
- ANGLES ±0.25°
- RADIUS ±0.031

REMOVE BURRS AND BREAK SHARP EDGES

DIMENSIONS ARE IN INCHES (UNLESS OTHERWISE SPECIFIED)

Electro Composites
solid HV bushings solution

TITLE:
BUSHING 15kV, 4000A
MODEL: 110-040-W-625-00

| | | | | | |
|--------------------------|---------------------|---------------|----------------------------------|-----------------------------|-----------------|
| DRAWN BY: J.N.PILOTTE | DATE: 2011/08/01 | FORMAT: A | CAGE CODE: | DRAWING NO.: S-7085-6680 | REVISION: NR |
| CHECK BY: | PROJECT ENG.: | SCALE: 1:5 | GENERATED BY: SolidWorks 2009 | SHEET: 1 of 1 | |