

# 600A 25/28kV INSULATING PLUG WITH CAP, AL

Conforms to all Requirements of IEEE Std. 386 - Latest Revision



**Ratings**

Maximum Continuous Voltage.....16.2 kV Phase-to-Ground  
Continuous Current.....600 A  
(Aluminum components)

**Short-Time Current Ratings**

0.17 Sec. Duration.....25,000 A rms Symmetrical  
3.00 Sec. Duration.....10,000 A rms Symmetrical

**Insulation Withstand Voltages**

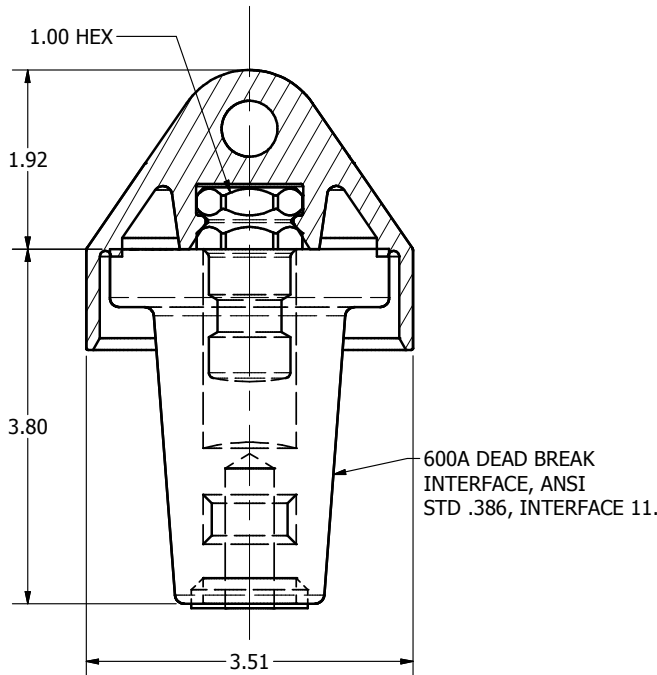
Basic Impulse Level.....125 kV Crest (1.2 x 50 µSec. wave)  
60 Hz (60 Sec.).....45 kV rms  
Partial Discharge Extinction Voltage (5 pC).....21.5 kV rms

**Overload Current**

4 Hour Rating.....900 A

**Production Tests**

100% factory tested for Partial Discharge and either AC 60 Hz (45 kV for 60 Sec.) or Impulse (BIL) (125kV 1.2 x 50 µSec. wave).  
Test Point Verification Performed.



- NOTES:  
1. DIMENSIONS ARE IN INCHES.  
2. TO ORDER WITH STUD, USE 625BIPS.

The Basic Insulating Plug is a key component to every Hubbell 600A Bolted Deadbreak Elbow Kit, whether for applications requiring cable connections to switchgear, transformers, splicing, or applications utilizing the Hubbell mutipoint junction. The Basic Insulating Plug is used to secure T-body in place. The one-inch hex located on top of the Basic Insulating Plug doubles as a means of tightening the T-body on to its mating part and as a capacitive test point.

<small>CONTENTS ARE CONFIDENTIAL AND THE EXCLUSIVE PROPERTY OF HUBBELL POWER SYSTEMS. NO PUBLICATION, DISTRIBUTION OR COPIES MAY BE MADE WITHOUT THE WRITTEN CONSENT OF HUBBELL POWER SYSTEMS. HUBBELL POWER SYSTEMS UNPUBLISHED ALL RIGHTS RESERVED UNDER THE COPYRIGHT LAWS.</small>		<b>HUBBELL</b> <sup>®</sup> POWER SYSTEMS, Inc.			
		<b>PLUG 600 AMP INSULATING, AL, 25/28 KV</b>			
REV DATE	2/13/2017	SIZE	DWG NO.	CAT / PART / ASSY NO.	REV
		SB	--	625BIP	1
		DO NOT SCALE THIS DRAWING	DRN BY JVR	DATE 9/8/2006	SHEET 1 OF 1