

# HUBBELL® Power Systems, Inc.

1850 Richland Ave East  
Aiken, SC 29801  
Phone: 803-648-8386  
www.Hubbellpowersystems.com

## 600A 25/28 kV JUNCTION

Conforms to all Requirements of IEEE Std. 386 - Latest Revision

### Ratings

Maximum Continuous Voltage.....16.2 kV Phase-to-Ground  
Continuous Current.....600 A  
(Aluminum components)

### Short-Time Current Ratings

0.17 Sec. Duration.....25,000 A rms Symmetrical  
3.00 Sec. Duration.....10,000 A rms Symmetrical

### Insulation Withstand Voltages

Basic Impulse Level.....125 kV Crest (1.2 x 50 µSec. wave)  
60 Hz (60 Sec.).....45 kV rms  
Partial Discharge Extinction Voltage (5 pC).....21.5 kV rms

### Overload Current

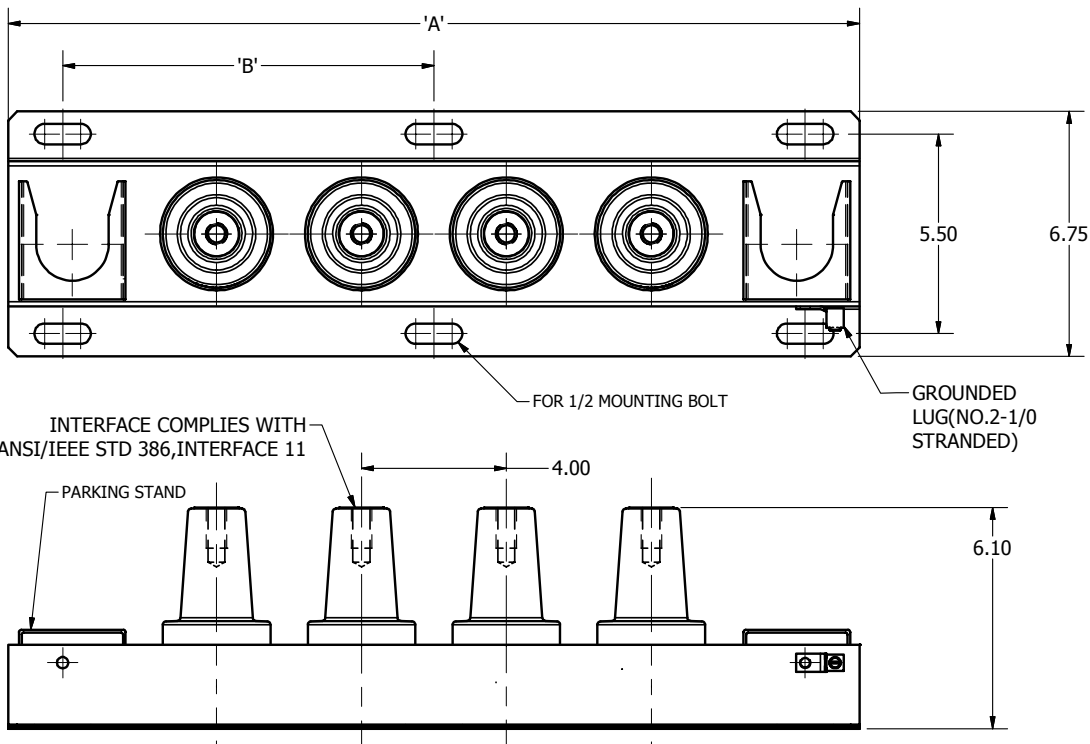
4 Hour Rating.....900 A

### Production Tests

100% factory tested for Partial Discharge and either AC 60 Hz (45 kV for 60 Sec.) or Impulse (BIL) (125kV 1.2 x 50 µSec. wave).  
Test Point Verification Performed.



CATALOG NUMBER	DESCRIPTION	'A'	'B'
625J2B	2-POINT MOLDED JUNCTION, BRACKET	19.5	8.25
625J3B	3-POINT MOLDED JUNCTION, BRACKET	19.5	8.25
625J4B	4-POINT MOLDED JUNCTION, BRACKET	23.5	10.25



### NOTES:

- 1) DIMENSIONS ARE IN INCHES.
- 2) MATERIAL FOR BRACKET & BASE PLATE IS STAINLESS STEEL.
- 3) ALSO INCLUDED SHIPPING CAPS, LUBRICANTS & INSTALLATION INSTRUCTIONS.

The Hubbell 600A Junction is designed to sectionalize feeders or provide a lateral tap. They can be installed in pad-mounted equipment or be used in subsurface vault applications. When mated with comparably rated T-bodies or other accessories, the junction provides a fully shielded and submersible connection.

CONTENTS ARE CONFIDENTIAL AND THE EXCLUSIVE PROPERTY OF HUBBELL POWER SYSTEMS. NO PUBLICATION, DISTRIBUTION OR COPIES MAY BE MADE WITHOUT THE WRITTEN CONSENT OF HUBBELL POWER SYSTEMS. HUBBELL POWER SYSTEMS UNPUBLISHED ALL RIGHTS RESERVED UNDER THE COPYRIGHT LAWS.		HUBBELL® POWER SYSTEMS, Inc.		
		TITLE JUNCTIONS, 25/28KV 600A		
REV DATE 10/17/2016	SIZE SB	DWG NO. DRN BY LM	CAT / PART / ASSY NO. 625JXB	REV 0
DO NOT SCALE THIS DRAWING		DATE 10/17/2016	SHEET 1 OF 1	