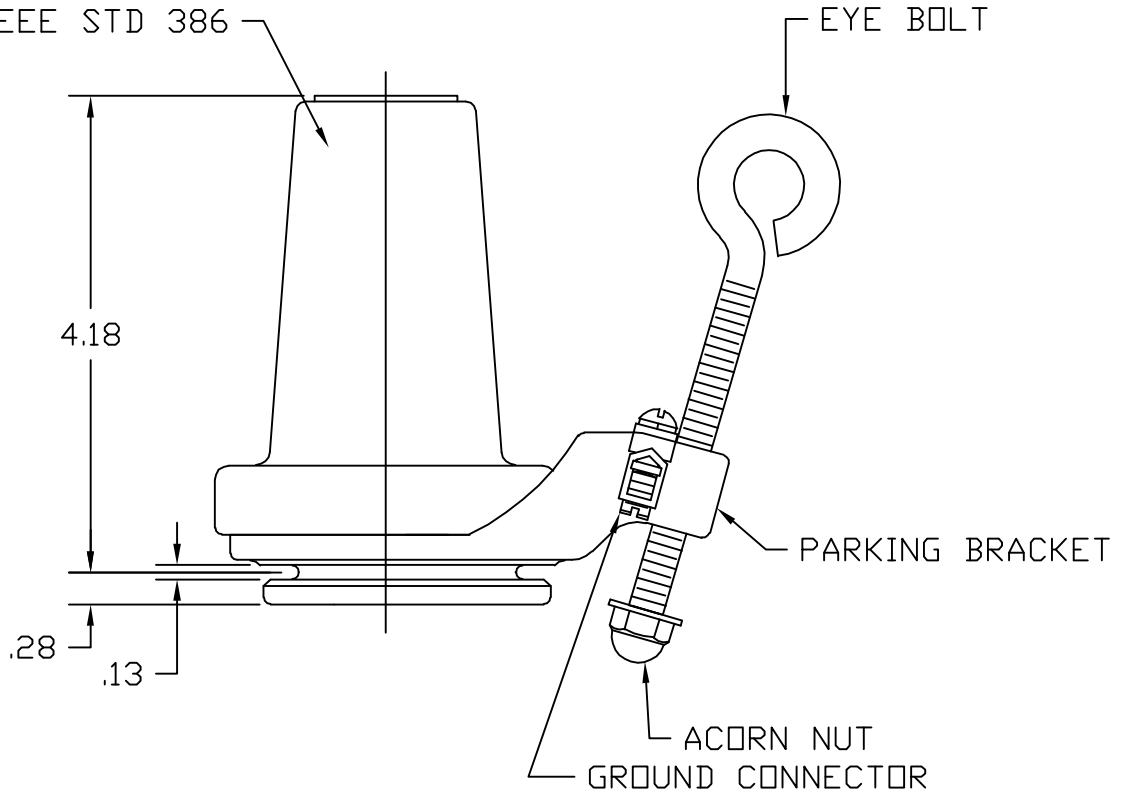


600A INTERFACE
COMPLIES WITH
IEEE STD 386



HUBBELL® POWER SYSTEMS

TITLE

600A STANDOFF BUSHING

CONFIDENTIAL: THIS DRAWING AND ITS CONTENTS ARE CONFIDENTIAL AND THE EXCLUSIVE PROPERTY OF HUBBELL POWER SYSTEMS. NO PUBLICATION, DISTRIBUTION OR COPIES MAY BE MADE WITHOUT THE WRITTEN CONSENT OF HUBBELL POWER SYSTEMS. HUBBELL POWER SYSTEMS UNPUBLISHED ALL RIGHTS RESERVED UNDER THE COPYRIGHT LAWS.

REV DATE 11/22/13

SIZE S	DWG NO. --	CAT / PART / ASSY NO. 625SB	REV 1
DO NOT SCALE THIS DRAWING	DRN BY BVB	DATE 07/16/12	SHEET 1 OF 1