

## 25/28 kV DEADBREAK T-BODY

Conforms to all Requirements of IEEE Std. 386 - Latest Revision

### Ratings

Maximum Continuous Voltage.....16.2 kV Phase-to-Ground  
Continuous Current.....600 A  
(Aluminum components)

### Short-Time Current Ratings

0.17 Sec. Duration.....25,000 A rms Symmetrical  
3.00 Sec. Duration.....10,000 A rms Symmetrical

### Insulation Withstand Voltages

Basic Impulse Level.....125 kV Crest (1.2 x 50 µSec. wave)  
60 Hz (60 Sec.).....45 kV rms  
Partial Discharge Extinction Voltage (5 pC).....21.5 kV rms

### Overload Current

4 Hour Rating.....900 A

### Production Tests

100% factory tested for Partial Discharge and either AC 60 Hz (45 kV for 60 Sec.) or Impulse (BIL) (125kV 1.2 x 50 µSec. wave).  
Test Point Verification Performed.

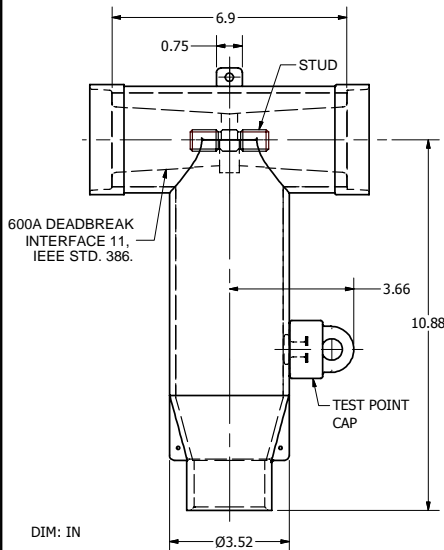


TABLE 1

SIZE	INSULATION DIAMETER RANGE (in.)	INSULATION DIAMETER RANGE (mm.)
E	0.53 - 0.68	13.5 - 17.3
F	0.64 - 0.82	16.3 - 20.8
G	0.76 - 0.95	19.3 - 24.1
H	0.85 - 1.05	21.6 - 26.7
J	0.98 - 1.18	24.9 - 30.0
K	1.09 - 1.31	27.7 - 33.3
L	1.18 - 1.46	30.0 - 37.2
LM	1.28 - 1.43	32.5 - 36.3
M	1.37 - 1.63	34.8 - 41.4
N	1.52 - 1.78	38.5 - 45.2
P	1.72 - 1.94	43.8 - 49.1

TABLE 2

CONNECTOR CODE	CONDUCTOR SIZE	STRANDING
22	#2	STRANDED & COMPRESSED
23	#1	STRANDED & COMPRESSED
24	1/0	STRANDED & COMPRESSED
25	2/0	STRANDED & COMPRESSED
26	3/0	STRANDED & COMPRESSED
27	4/0	STRANDED & COMPRESSED
28	250	STRANDED & COMPRESSED
30	350	STRANDED & COMPRESSED
33	500	STRANDED & COMPRESSED
35	600	STRANDED & COMPRESSED
38	700	STRANDED & COMPRESSED
38	750	STRANDED & COMPRESSED
39	800	STRANDED & COMPRESSED
40	900	STRANDED & COMPRESSED
41	1000	STRANDED & COMPRESSED

The Hubbell 600A 25/28 kV Deadbreak T-Body is designed to terminate power cables with copper or aluminum conductors ranging from #2 AWG to 1000 kcmil. This product has been tested to meet the requirements of IEEE Std. 386 - latest revision. When mated to a comparably rated bushing, the deadbreak elbow provides a fully shielded and submersible connection.

<p>CONTENTS ARE CONFIDENTIAL AND THE EXCLUSIVE PROPERTY OF HUBBELL POWER SYSTEMS, INC. NO REPRODUCTION, DISTRIBUTION OR COPIES MAY BE MADE WITHOUT THE WRITTEN CONSENT OF HUBBELL POWER SYSTEMS, INC. ALL RIGHTS RESERVED UNDER THE COPYRIGHT LAWS.</p>		<p>HUBBELL POWER SYSTEMS, Inc.</p>	
		<p>TITLE 25/28 kV DEADBREAK ELBOW W/TEST POINT</p>	
<p>SIZE SB</p>	<p>DWG NO. ---</p>	<p>CAT / PART / ASSY NO. 625TBT</p>	<p>REV 1</p>
<p>REV DATE 08/24/17</p>	<p>DO NOT SCALE THIS DRAWING</p>	<p>DRN BY JVR</p>	<p>DATE 8/9/2006 SHEET 1 OF 1</p>