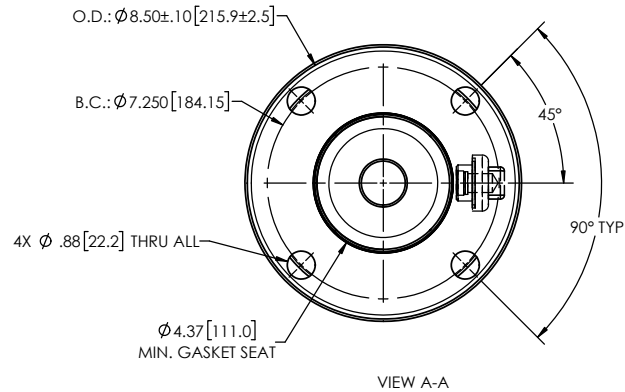
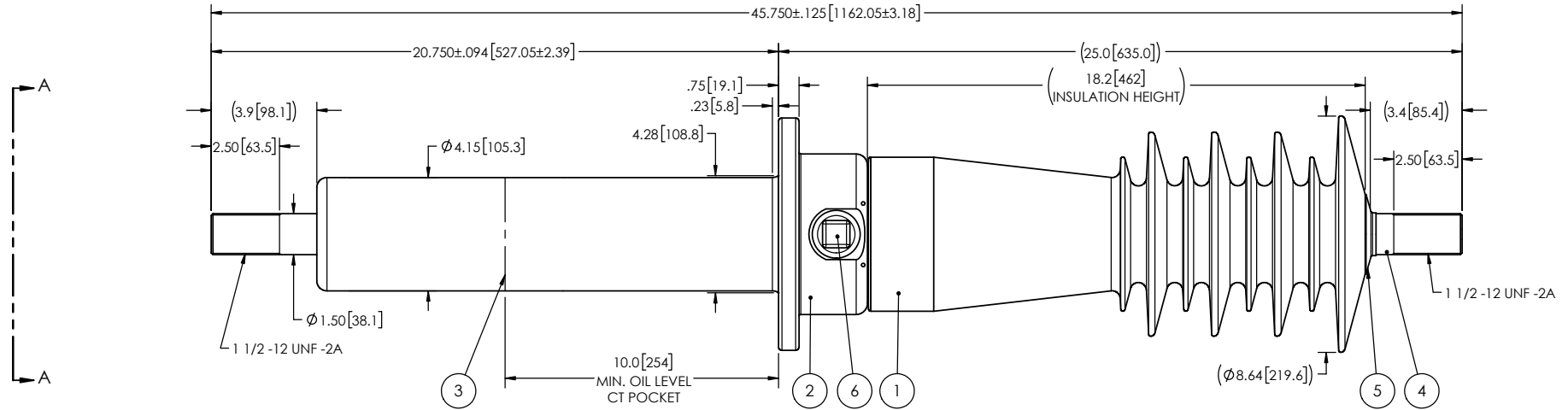


NOTES:

- 1 CREEPAGE DISTANCE: 38.2' / 970mm
- 2 ARC DISTANCE: 20.5' / 520mm
- 3 NOMINAL VOLTAGE: 36kV
- 4 NOMINAL CURRENT: 1200A
- 5 VOLTAGE WITHSTAND, 60 sec.: 95kV
- 6 BIL: 200kV
- 7 ROUTINE TEST ACCORDING TO: CSA C88.1-96
- 8 MAX. TORQUE APPLIED ON FLANGE BOLTS: 40 lbf·ft / 54.2 N·m
- 9 WEIGHT: 71 lb / 32.2 kg

REVISIONS					
ZONE	REV.	DESCRIPTION	DRAWN BY	DATE	APPR.



This drawing is the proprietary property of Electro Composites (2008) ULC, not part of the public domain, and is issued with the express understanding and agreement that it is not to be reproduced or copied in whole or in part or issued for furnishing information to others, or used directly or indirectly, in any way detrimental to the interest of Electro Composites (2008) ULC and is to be returned upon request by Electro Composites (2008) ULC. All Rights Reserved.

ITEM NO.	QTY	DRAWING NO.	PART NO.	DESCRIPTION	NOTE / MAT'L
6	1	S-1001-2022		CAPACITANCE TAP ASSEMBLY	ALUMINUM
5	1	S-1001-0007		CAP	COPPER
4	1	S-1543-10265		ROD ASSEMBLY	COPPER
3	1	S-7349-7061		SHIELD ASSEMBLY	COPPER
2	1	S-5362-5018		FLANGE	ALUMINUM
1	1	S-1543-10264	-001	CASTING, CYCLOALIPHATIC RESIN	EC-APG-02

PARTS LIST

GENERAL TOLERANCES (UNLESS OTHERWISE SPECIFIED)

X.	±0.125
.X	±0.094
.XX	±0.063
.XXX	±0.031
ANGLES	±0.25°
RADIUS	±0.031

REMOVE BURRS AND BREAK SHARP EDGES

DIMENSIONS ARE IN INCHES (UNLESS OTHERWISE SPECIFIED)

**ElectroComposites™**  
**solid HV bushings solution**

TITLE: SDC® BUSHING 35kV, 1200A  
MODEL: 200-012-T-626-03

DRAWN BY: M. FORGET	DATE: 2021/03/22	FORMAT: A	CAGE CODE:	DRAWING NO.: S-1543-10264	REVISION: NR
CHECK BY:		SCALE: 1:6	GENERATED BY: SolidWorks 2020	SHEET: 1 of 1	
PROJECT ENG.:					
PROJECT MANAGER:					