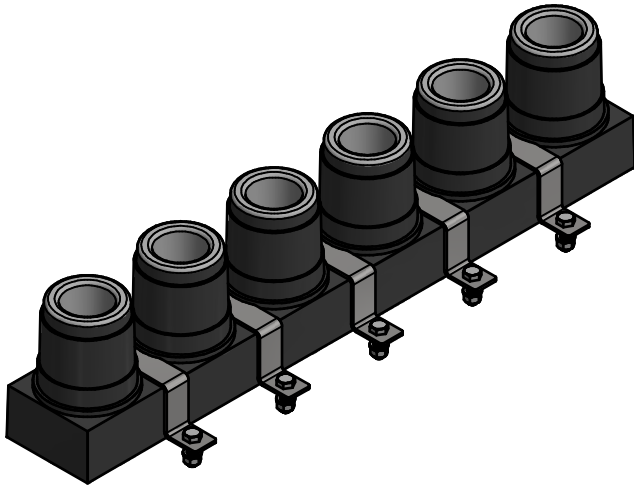


**HUBBELL**  
Power Systems, Inc.

1850 Richmond Ave East  
Aiken, SC 29801  
Phone: 803-648-8386  
www.Hubbellpowersystems.com

# 600A 28kV Junction 6-PT WITH "U" STRAPS

Conforms to all Requirements of IEEE Std. 386 - Latest Revision



**Ratings**

Maximum Continuous Voltage.....16.2 kV Phase-to-Ground  
Continuous Current.....600/200 A

**Short-Time Current Ratings**

0.17 Sec. Duration.....25,000 A rms Symmetrical  
3.00 Sec. Duration.....10,000 A rms Symmetrical

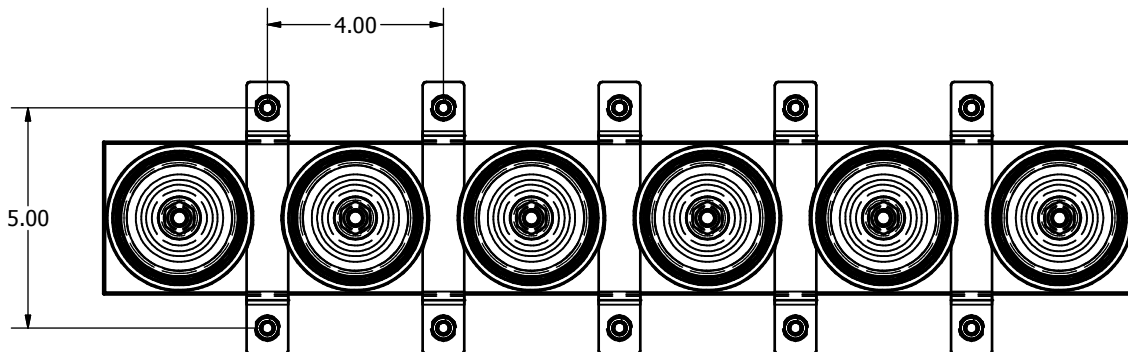
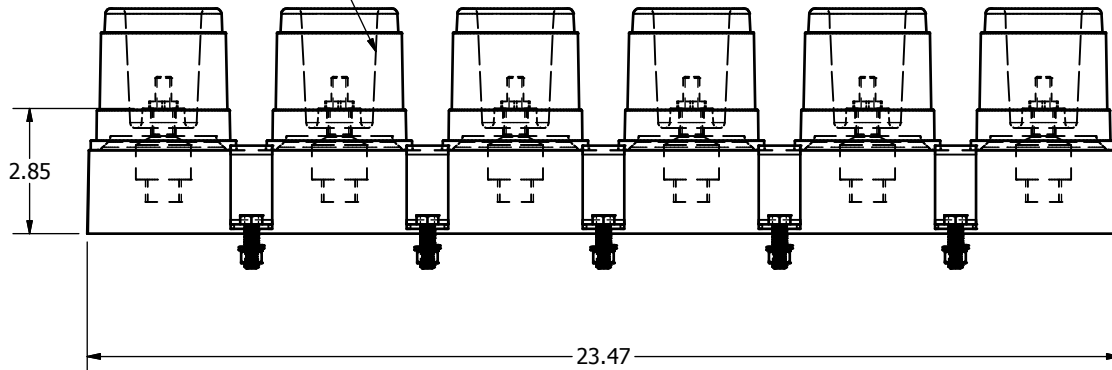
**Insulation Withstand Voltages**


Basic Impulse Level.....125 kV Crest (1.2 x 50  $\mu$ Sec. wave)  
60 Hz (60 Sec.).....45 kV rms  
Partial Discharge Extinction Voltage (5 pC).....21.5 kV rms

**Production Tests**

100% factory tested for Partial Discharge and either AC 60 Hz (45 kV for 60 Sec.) or Impulse (BIL) (125 kV 1.2 x 50  $\mu$ Sec. wave).

IEEE STD 386 INTERFACE 3 (6x)



 <b>HUBBELL POWER SYSTEMS, Inc.</b> <small>POWER SYSTEMS, INC.</small>		TITLE	
		28kV TAPMASTER	
SIZE	DWG NO.	CAT / PART / ASSY NO.	REV
SB	--	628TM22222U	0
REV DATE	DO NOT SCALE THIS DRAWING	DRN BY	SHEET
05/18/17		BvB	1 OF 1

CONTENTS ARE CONFIDENTIAL AND THE EXCLUSIVE PROPERTY OF HUBBELL POWER SYSTEMS. NO PUBLICATION, DISTRIBUTION OR COPIES MAY BE MADE WITHOUT THE WRITTEN CONSENT OF HUBBELL POWER SYSTEMS. HUBBELL POWER SYSTEMS UNPUBLISHED ALL RIGHTS RESERVED UNDER THE COPYRIGHT LAWS.