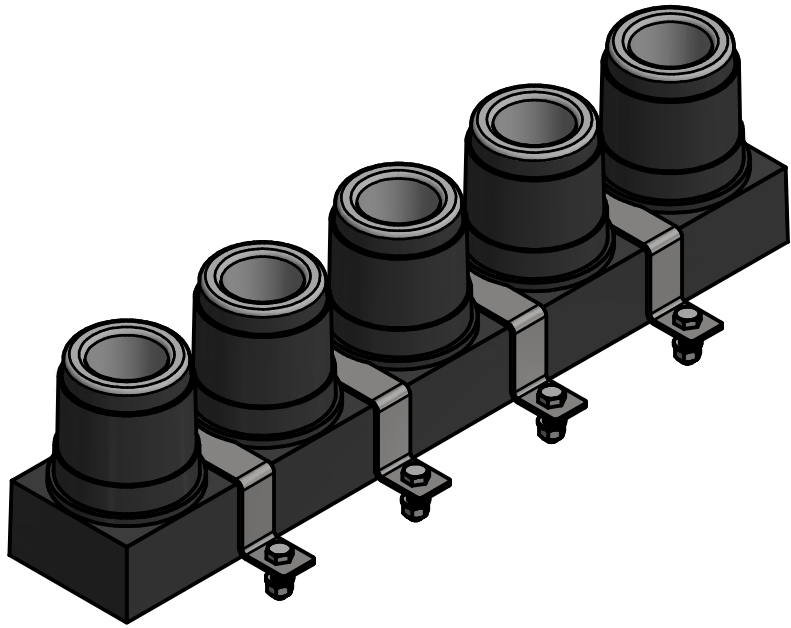


# 600A 28kV Junction 5-PT WITH "U" STRAPS

Conforms to all Requirements of IEEE Std. 386 - Latest Revision



### Ratings

Maximum Continuous Voltage.....16.2 kV Phase-to-Ground  
Continuous Current.....600/200 A

### Short-Time Current Ratings

0.17 Sec. Duration.....25,000 A rms Symmetrical  
3.00 Sec. Duration.....10,000 A rms Symmetrical

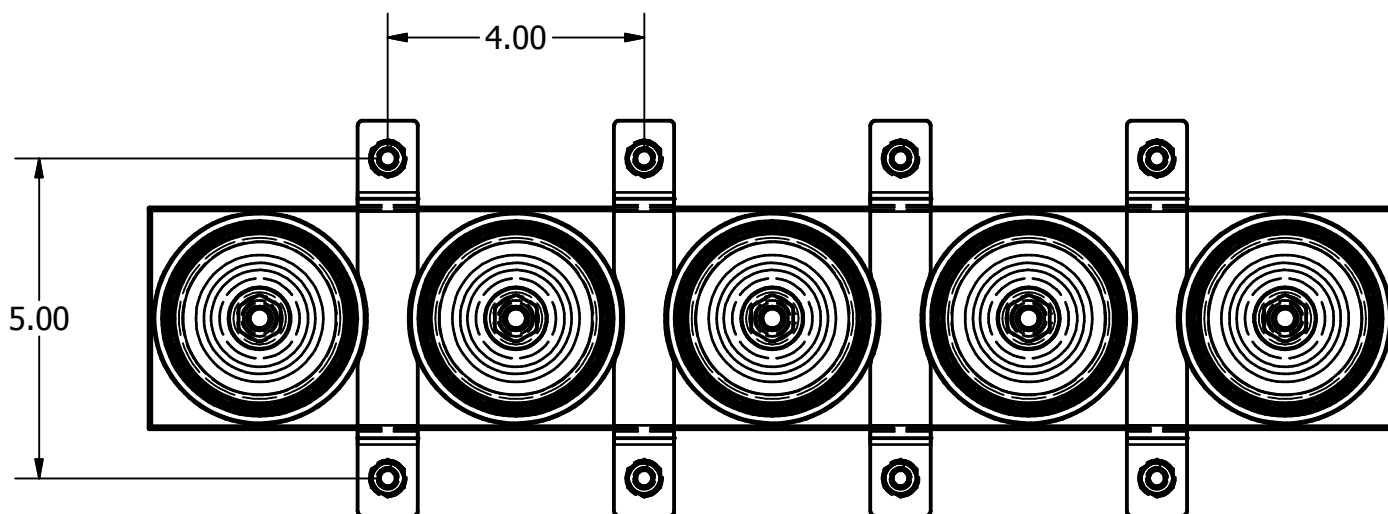
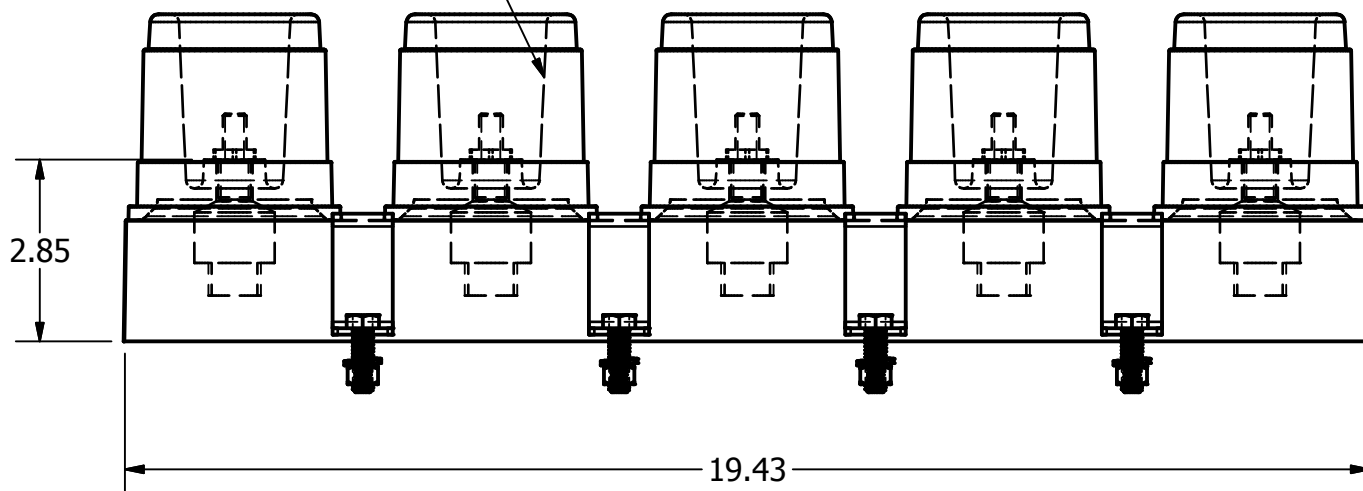
### Insulation Withstand Voltages


Basic Impulse Level.....125 kV Crest (1.2 x 50  $\mu$ Sec. wave)  
60 Hz (60 Sec.).....45 kV rms  
Partial Discharge Extinction Voltage (3 pC).....21.5 kV rms

### Production Tests

100% factory tested for Partial Discharge and either AC 60 Hz (45 kV for 60 Sec.) or Impulse (BIL) (125 kV 1.2 x 50  $\mu$ Sec. wave).

IEEE STD 386 INTERFACE 3 (5x)



<p>CONTENTS ARE CONFIDENTIAL AND THE EXCLUSIVE PROPERTY OF HUBBELL POWER SYSTEMS. NO PUBLICATION, DISTRIBUTION OR COPIES MAY BE MADE WITHOUT THE WRITTEN CONSENT OF HUBBELL POWER SYSTEMS. HUBBELL POWER SYSTEMS UNPUBLISHED ALL RIGHTS RESERVED UNDER THE COPYRIGHT LAWS.</p>		 <b>HUBBELL POWER SYSTEMS, Inc.</b>		
		<b>TITLE</b> 28kV TAPMASTER		
<b>REV DATE</b> 01/04/18	<b>SIZE</b> SB	<b>DWG NO.</b> ---	<b>CAT / PART / ASSY NO.</b> 628TM22222U	<b>REV</b> 0
DO NOT SCALE THIS DRAWING		DRN BY BvB	DATE 12/20/17	SHEET 1 OF 1