

600A 28kV Junction 6-PT WITH BRACKET

Conforms to all Requirements of IEEE Std. 386 - Latest Revision
Ratings

Maximum Continuous Voltage.....16.2 kV Phase-to-Ground
Continuous Current.....600/200 A

Short-Time Current Ratings

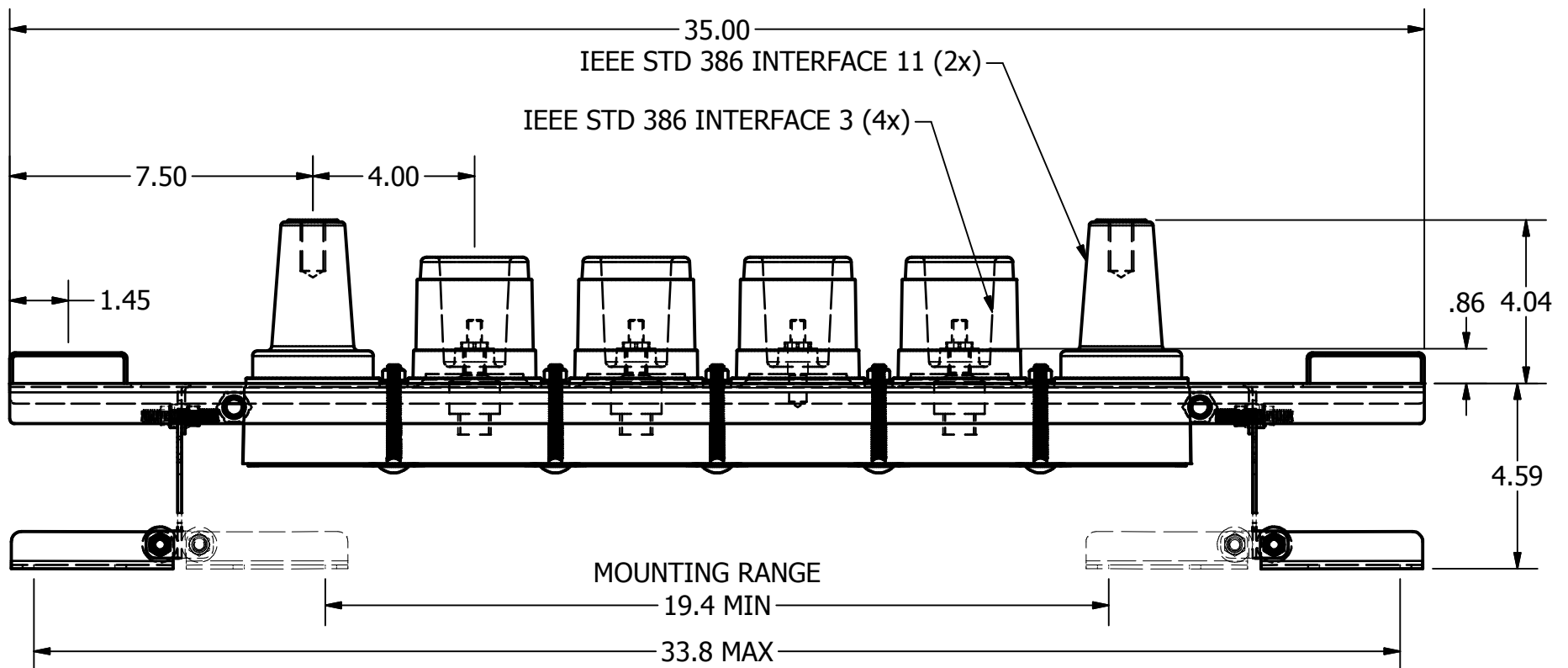
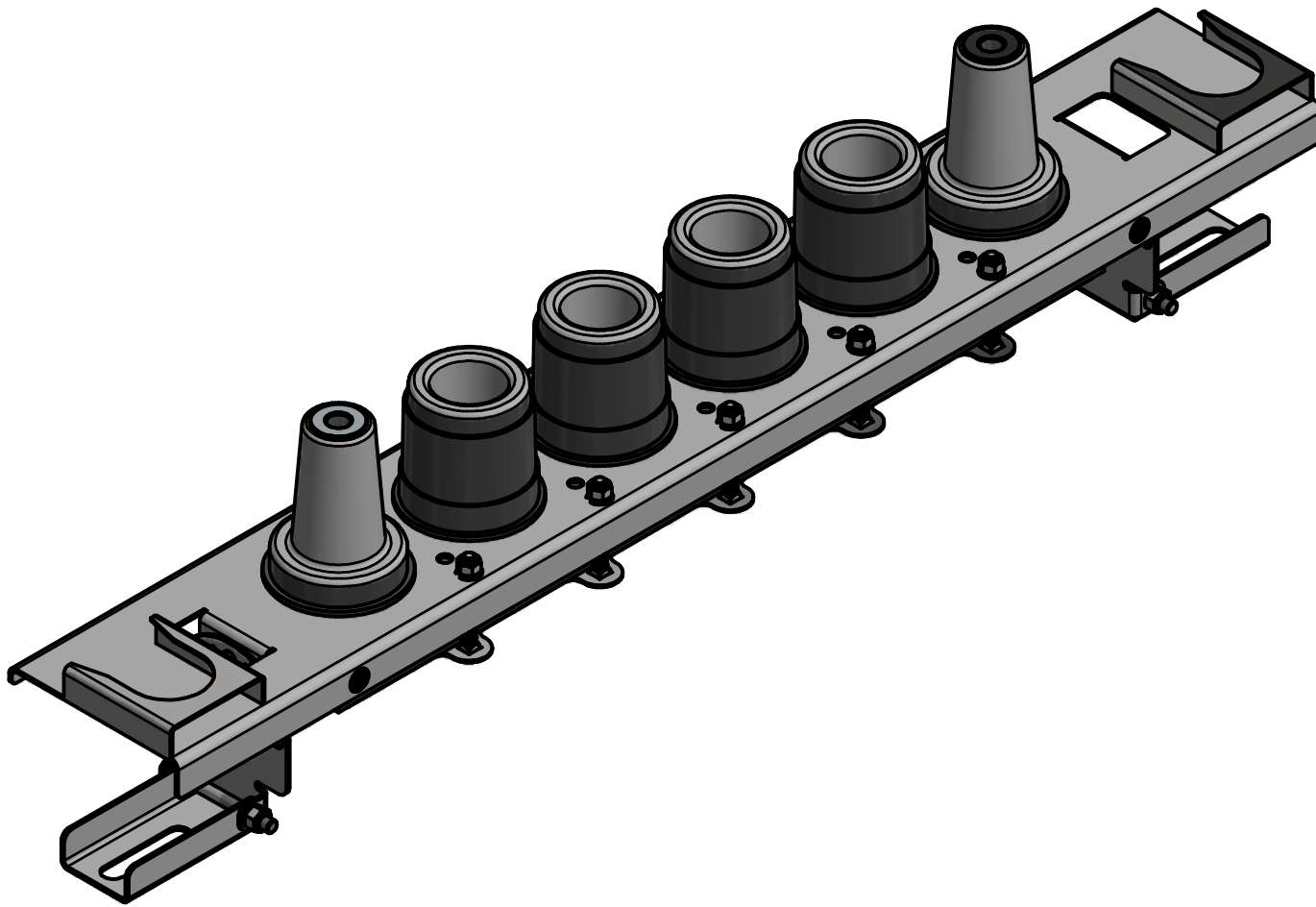
0.17 Sec. Duration.....25,000 A rms Symmetrical
3.00 Sec. Duration.....10,000 A rms Symmetrical

Insulation Withstand Voltages

Basic Impulse Level.....125 kV Crest (1.2 x 50 μ Sec. wave)
60 Hz (60 Sec.).....45 kV rms
Partial Discharge Extinction Voltage (5 pC).....21.5 kV rms

Production Tests

100% factory tested for Partial Discharge and either AC 60 Hz (45 kV for 60 Sec.) or Impulse (BIL) (125 kV 1.2 x 50 μ Sec. wave).



REV DATE 7/17/2018

CONTENTS ARE CONFIDENTIAL AND THE EXCLUSIVE PROPERTY OF HUBBELL POWER SYSTEMS. NO PUBLICATION, DISTRIBUTION OR COPIES MAY BE MADE WITHOUT THE WRITTEN CONSENT OF HUBBELL POWER SYSTEMS. HUBBELL POWER SYSTEMS UNPUBLISHED ALL RIGHTS RESERVED UNDER THE COPYRIGHT LAWS.

HUBBELL POWER SYSTEMS, Inc.			
TITLE 28kV TAPMASTER			
SIZE SB	DWG NO. --	CAT / PART / ASSY NO. 628TM622226B	REV 1
DO NOT SCALE THIS DRAWING	DRN BY BVB	DATE 5/19/2017	SHEET 1 OF 1