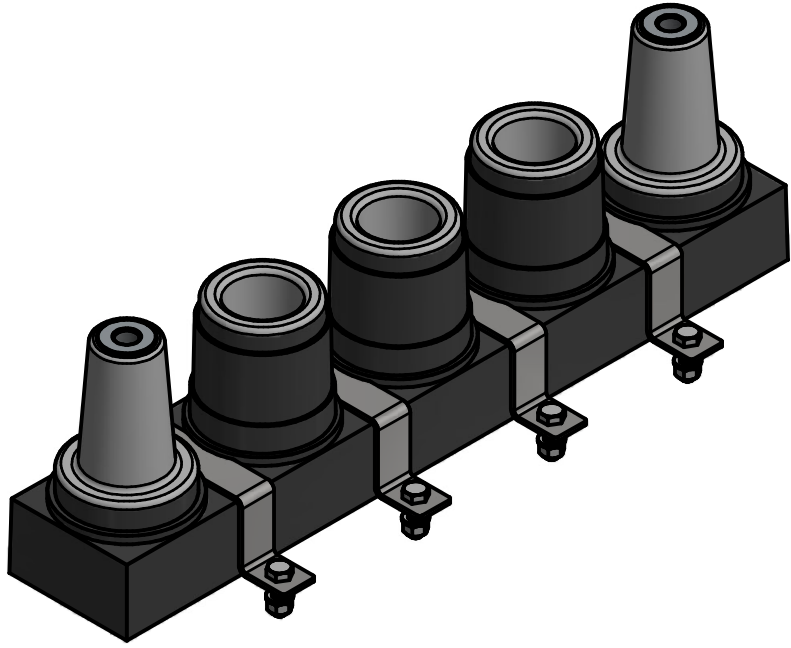


600A 28kV Junction 5-PT WITH "U" STRAPS

Conforms to all Requirements of IEEE Std. 386 - Latest Revision



Ratings

Maximum Continuous Voltage.....16.2 kV Phase-to-Ground
Continuous Current.....600/200 A

Short-Time Current Ratings

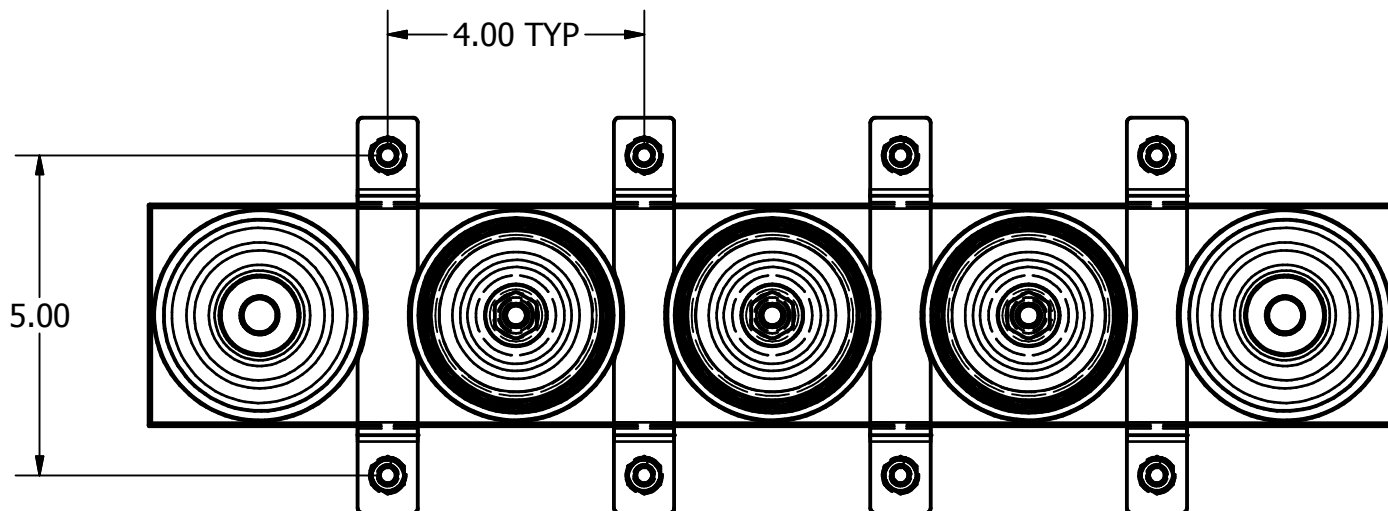
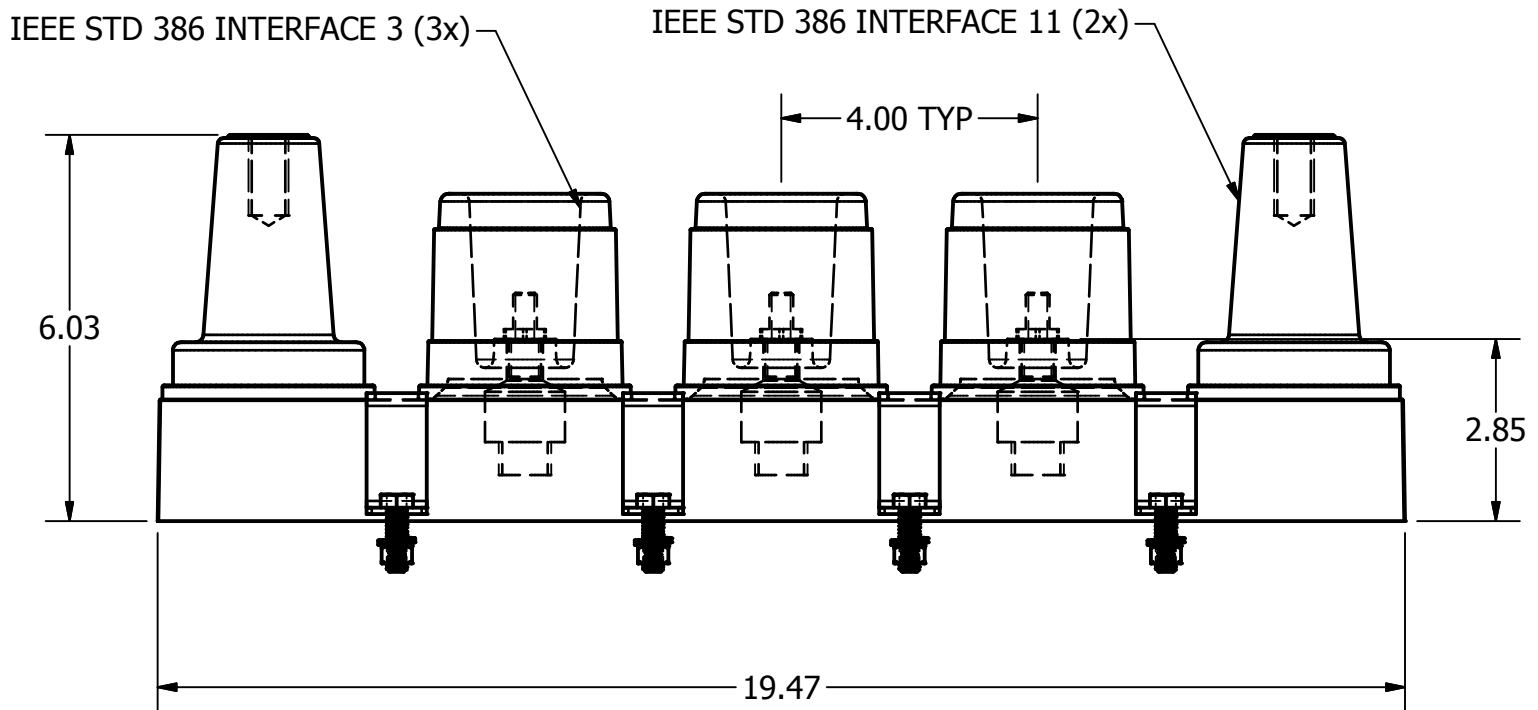
0.17 Sec. Duration.....25,000 A rms Symmetrical
3.00 Sec. Duration.....10,000 A rms Symmetrical


Insulation Withstand Voltages

Basic Impulse Level.....125 kV Crest (1.2 x 50 μ Sec. wave)
60 Hz (60 Sec.).....45 kV rms
Partial Discharge Extinction Voltage (5 pC).....21.5 kV rms

Production Tests

100% factory tested for Partial Discharge and either AC 60 Hz (45 kV for 60 Sec.) or Impulse (BIL) (125 kV 1.2 x 50 μ Sec. wave).



<p>CONTENTS ARE CONFIDENTIAL AND THE EXCLUSIVE PROPERTY OF HUBBELL POWER SYSTEMS. NO PUBLICATION, DISTRIBUTION OR COPIES MAY BE MADE WITHOUT THE WRITTEN CONSENT OF HUBBELL POWER SYSTEMS. HUBBELL POWER SYSTEMS UNPUBLISHED ALL RIGHTS RESERVED UNDER THE COPYRIGHT LAWS.</p>		 HUBBELL POWER SYSTEMS, Inc.		
		<p>TITLE 28kV TAPMASTER</p>		
<p>REV DATE 7/17/2018</p>	<p>SIZE SB</p>	<p>DWG NO. ---</p>	<p>CAT / PART / ASSY NO. 628TM62226U</p>	<p>REV 1</p>
<p>DO NOT SCALE THIS DRAWING</p>		<p>DRN BY BVB</p>	<p>DATE 5/17/2017</p>	<p>SHEET 1 OF 1</p>