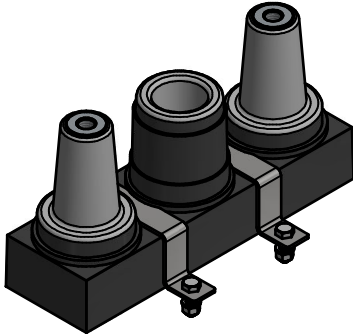


HUBBELL
Power Systems, Inc.

1850 Richmond Ave East
Aiken, SC 29801
Phone: 803-648-8386
www.Hubbellpowersystems.com

600A 28kV Junction 3-PT WITH "U" STRAPS

Conforms to all Requirements of IEEE Std. 386 - Latest Revision



Ratings

Maximum Continuous Voltage.....16.2 kV Phase-to-Ground
Continuous Current.....600/200 A

Short-Time Current Ratings

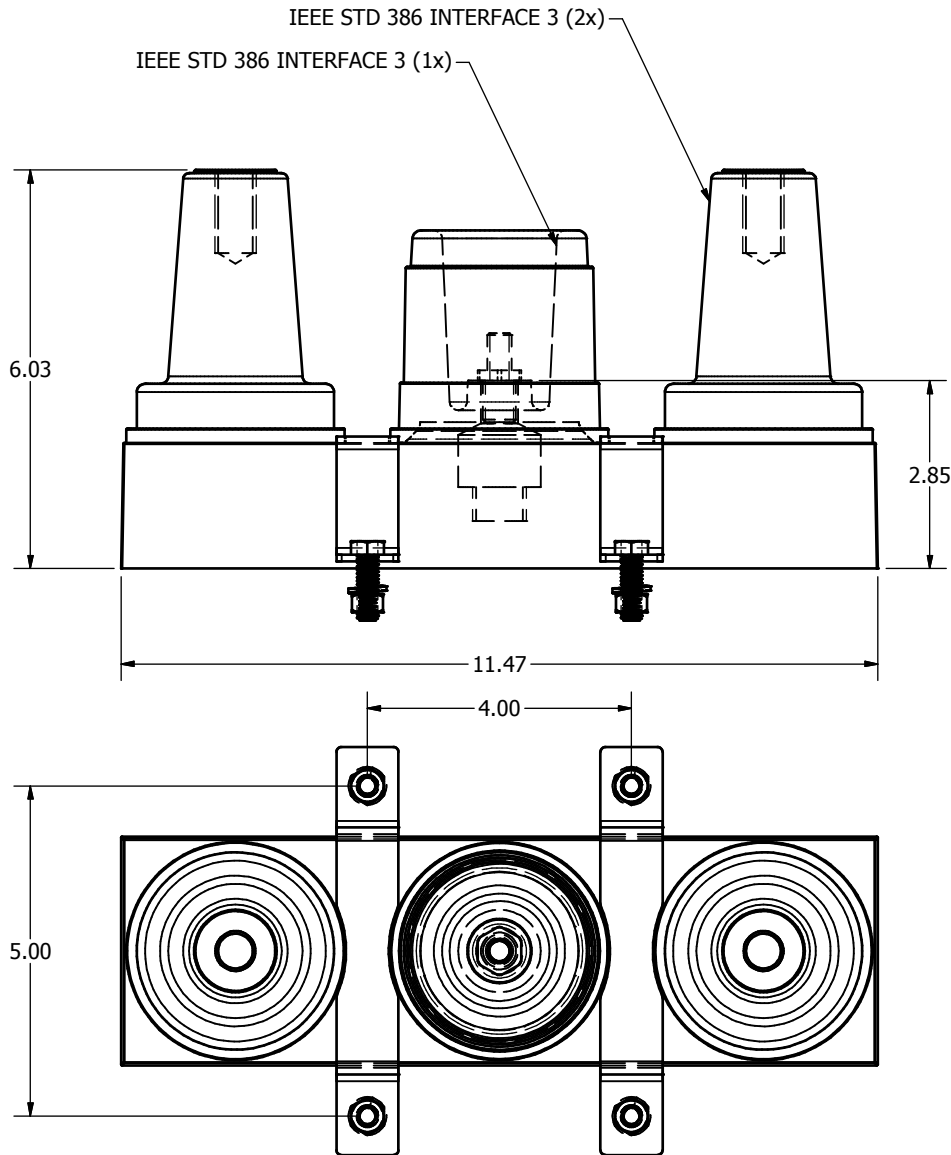
0.17 Sec. Duration.....25,000 A rms Symmetrical
3.00 Sec. Duration.....10,000 A rms Symmetrical

Insulation Withstand Voltages

Basic Impulse Level.....125 kV Crest (1.2 x 50 μ Sec. wave)
60 Hz (60 Sec.).....45 kV rms
Partial Discharge Extinction Voltage (5 pC).....21.5 kV rms

Production Tests

100% factory tested for Partial Discharge and either AC 60 Hz (45 kV for 60 Sec.) or Impulse (BIL) (125 kV 1.2 x 50 μ Sec. wave).



<p>CONTENTS ARE CONFIDENTIAL AND THE EXCLUSIVE PROPERTY OF HUBBELL POWER SYSTEMS. NO PUBLICATION, DISTRIBUTION OR COPIES MAY BE MADE WITHOUT THE WRITTEN CONSENT OF HUBBELL POWER SYSTEMS. HUBBELL POWER SYSTEMS UNPUBLISHED ALL RIGHTS RESERVED UNDER THE COPYRIGHT LAWS.</p>				<p>HUBBELL POWER SYSTEMS, Inc.</p>	
		<p>TITLE</p> <p>28kV TAPMASTER</p>			
<p>REV DATE</p> <p>05/18/17</p>	<p>SIZE</p> <p>SB</p>	<p>DWG NO.</p> <p>--</p>	<p>CAT / PART / ASSY NO.</p> <p>628TM626U</p>	<p>REV</p> <p>0</p>	<p>DO NOT SCALE THIS DRAWING</p>
		<p>DRN BY</p> <p>BvB</p>	<p>DATE</p> <p>05/18/17</p>	<p>SHEET 1 OF 1</p>	