

# 600A 28kV Junction 4-PT WITH "U" STRAPS

Conforms to all Requirements of IEEE Std. 386 - Latest Revision

**Ratings**

Maximum Continuous Voltage.....16.2 kV Phase-to-Ground  
Continuous Current.....600/200 A

**Short-Time Current Ratings**

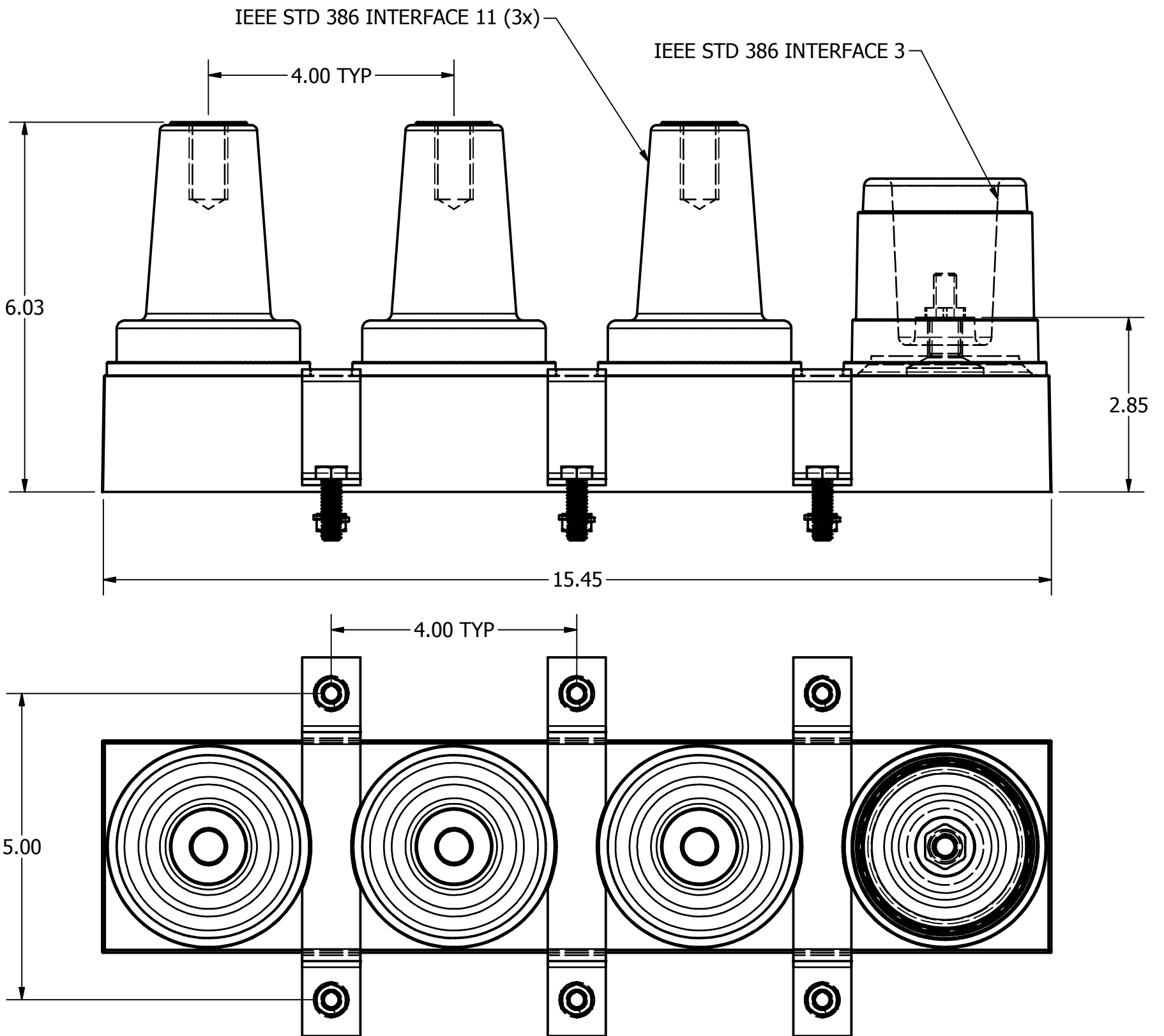
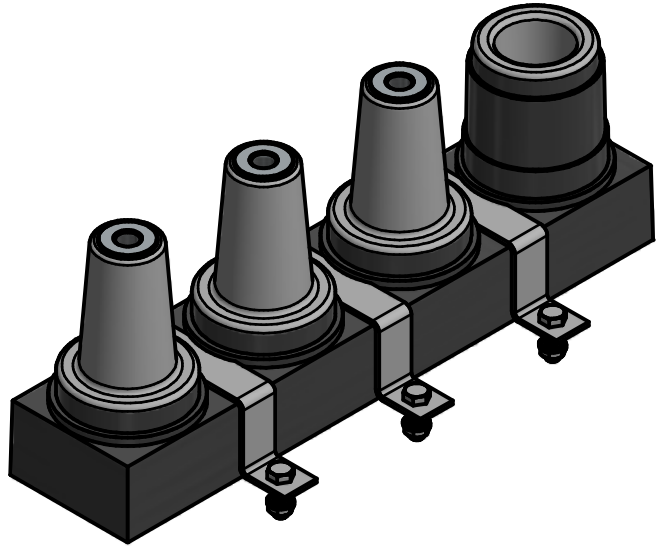
0.17 Sec. Duration.....25,000 A rms Symmetrical  
3.00 Sec. Duration.....10,000 A rms Symmetrical

**Insulation Withstand Voltages**

Basic Impulse Level.....125 kV Crest (1.2 x 50  $\mu$ Sec. wave)  
60 Hz (60 Sec.).....45 kV rms  
Partial Discharge Extinction Voltage (5 pC).....21.5 kV rms

**Production Tests**

100% factory tested for Partial Discharge and either AC 60 Hz (45 kV for 60 Sec.) or Impulse (BIL) (125 kV 1.2 x 50  $\mu$ Sec. wave).



REV DATE 7/17/2018

CONTENTS ARE CONFIDENTIAL AND THE EXCLUSIVE PROPERTY OF HUBBELL POWER SYSTEMS. NO PUBLICATION, DISTRIBUTION OR COPIES MAY BE MADE WITHOUT THE WRITTEN CONSENT OF HUBBELL POWER SYSTEMS. HUBBELL POWER SYSTEMS UNPUBLISHED ALL RIGHTS RESERVED UNDER THE COPYRIGHT LAWS.



HUBBELL POWER SYSTEMS, Inc.

TITLE 28kV TAPMASTER

SIZE SB	DWG NO. ---	CAT / PART / ASSY NO. 628TM6662U	REV 1
DO NOT SCALE THIS DRAWING	DRN BY BvB	DATE 10/2/2017	SHEET 1 OF 1