



**PCORE**  
ELECTRIC

TITLE  
TEST TERMINAL

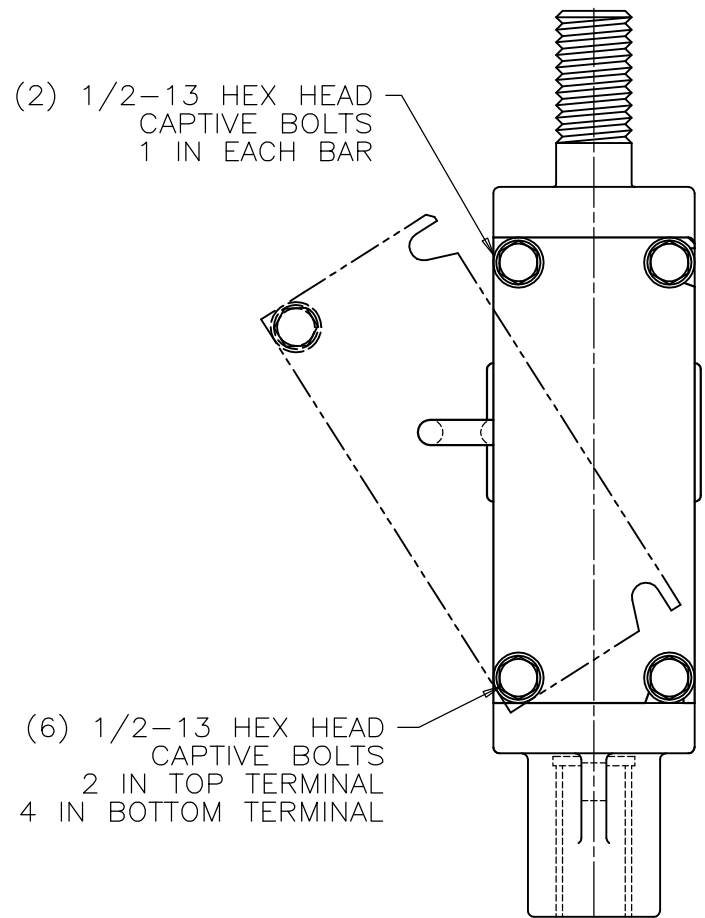
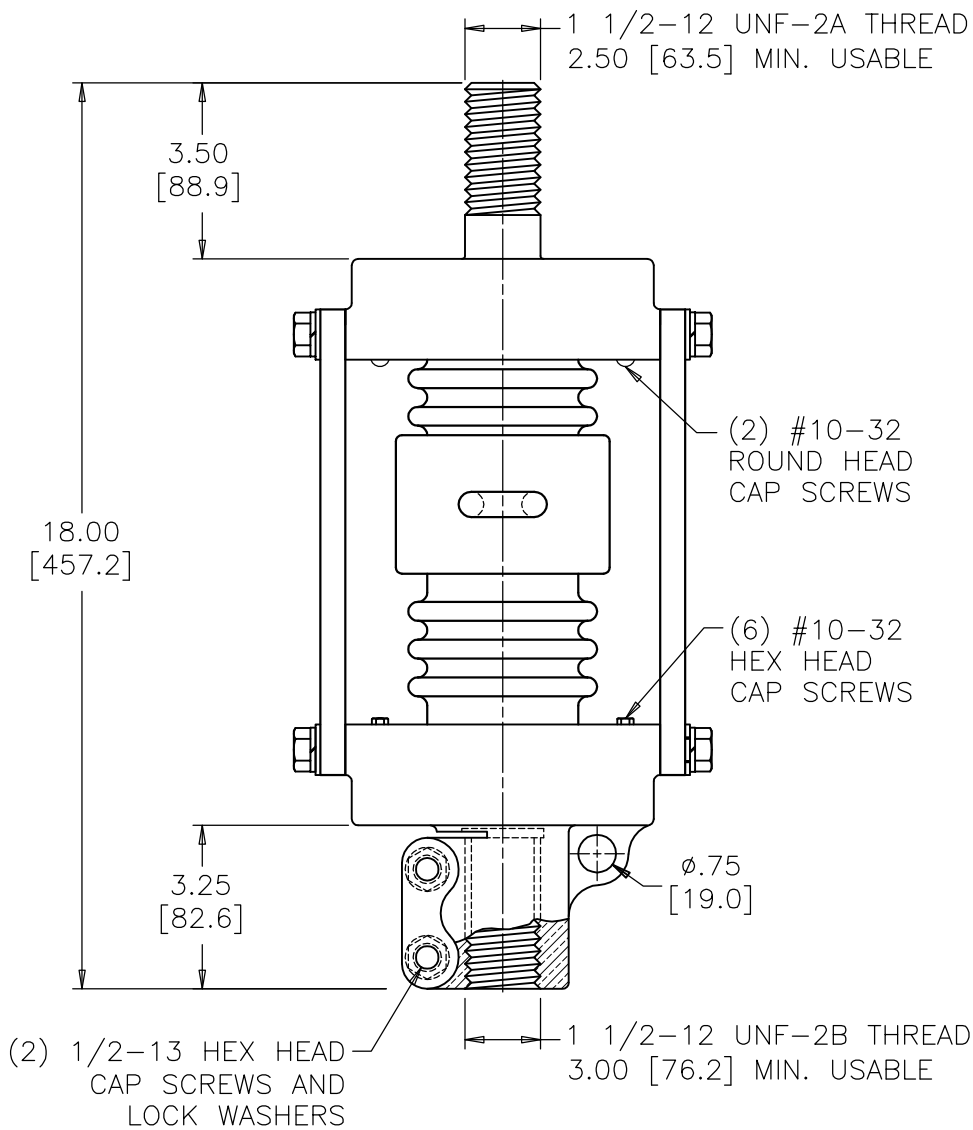
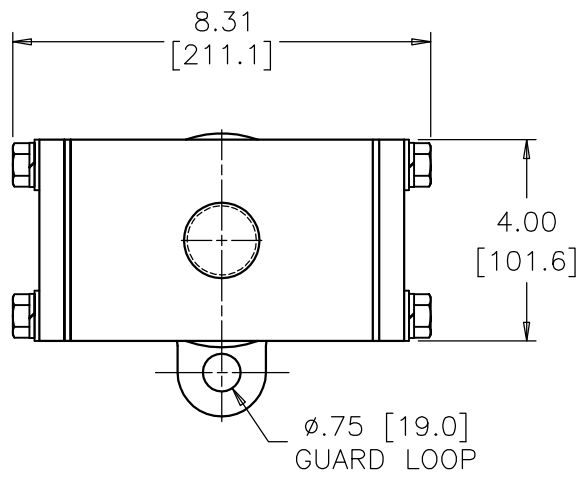
DWG.	CATALOG NUMBER	GLAZE COLOR
SD	B-63033	BROWN
SD	B-63033-70	LT. GRAY

TOP TERMINAL  
1 1/2-12 THREAD MALE

BOTTOM TERMINAL  
1 1/2-12 THREAD FEMALE

CURRENT RATING  
2000 A

DATE	11-21-66	REV. DATE	5-22-09
REF.			



BOLTS ARE EVERDUR AND STAINLESS STEEL  
HARDWARE IS HIGH CONDUCTIVITY COPPER - SILVER PLATED

DIMENSIONS IN INCHES [MILLIMETERS]

REVISION REMOVED KEEPERS

SCALE 1/4

NOTE TO PURCHASER:  
ALL SALES OF PCORE PRODUCTS ARE SUBJECT  
TO OUR STANDARD TERMS AND CONDITIONS  
AND THE LIMITED WARRANTIES THEREUNDER