



PCORE
ELECTRIC

TITLE SEISMICALLY ENHANCED TEST (SET)
TERMINAL WITH TWO CORONA RINGS

DWG. CATALOG NUMBER
SD B-63034-61-AF-EE

TOP TERMINAL
2-12 THREAD MALE

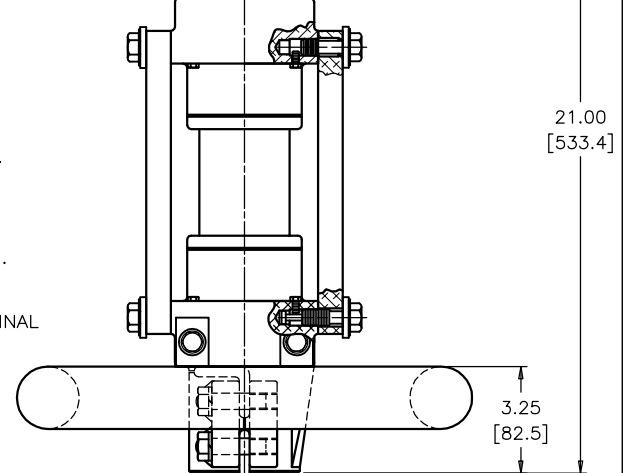
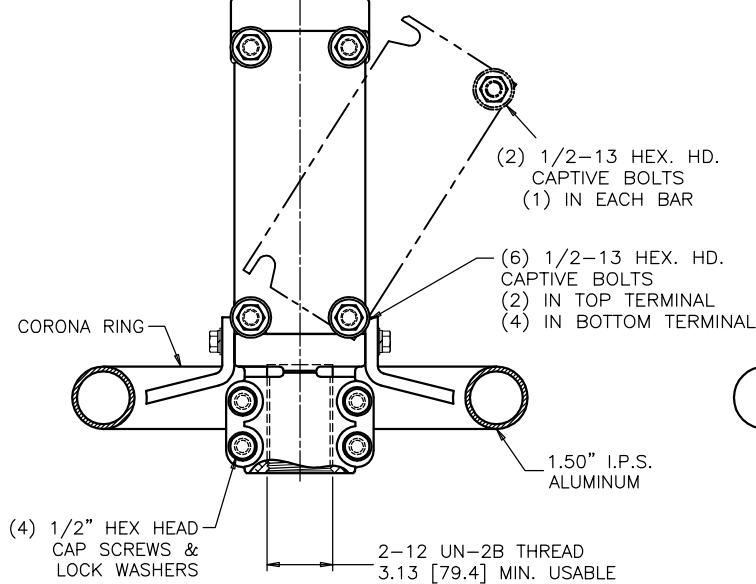
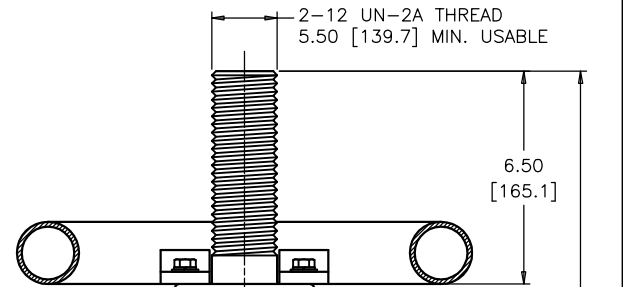
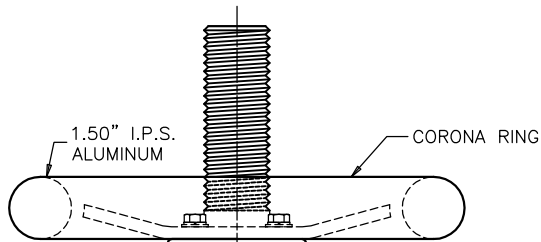
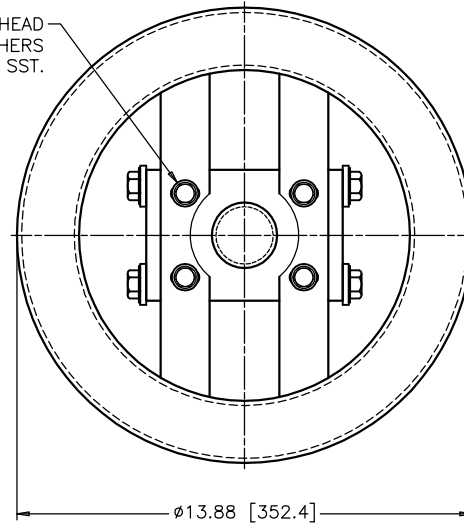
CURRENT RATING
3000 A

BOTTOM TERMINAL
2-12 THREAD FEMALE

DATE 8-21-14 **REV. DATE**
REF. 2.00 LONGER TOP CAP

UNITS ARE SHIPPED WITH NO-OX GREASE APPLIED TO SIDE BLADE CONTACTS. IT IS RECOMMENDED THAT THE CONTACTS BE CLEANED AND GREASED PERIODICALLY USING AN ELECTRICAL CONTACT OXIDATION INHIBITING GREASE SPECIFICALLY MADE FOR ALUMINUM CONTACTS.

(8) 3/8-16 HEX HEAD CAP SCREWS WITH FLAT WASHERS AND LOCK WASHERS SST.



BOLTS ARE STAINLESS STEEL
HARDWARE IS ALUMINUM

DIMENSIONS IN INCHES [MILLIMETERS]

REVISION

SCALE 1/4

NOTE TO PURCHASER:
ALL SALES OF PCORE PRODUCTS ARE SUBJECT
TO OUR STANDARD TERMS AND CONDITIONS
AND THE LIMITED WARRANTIES THEREUNDER