



PCORE
ELECTRIC

TITLE SEISMICALLY ENHANCED TEST (SET)
TERMINAL WITH ONE CORONA RING ON TOP

DWG. CATALOG NUMBER
SD B-63034-AF-E

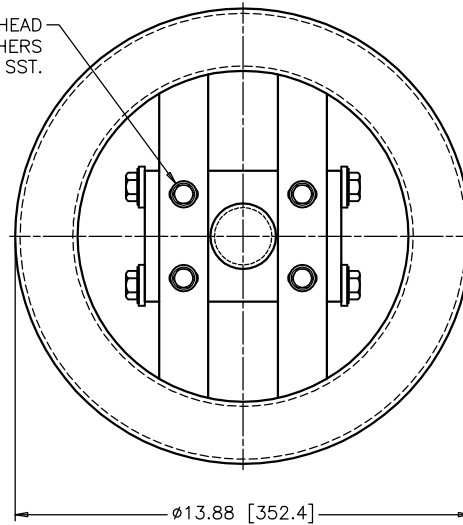
TOP TERMINAL
2-12 THREAD MALE

CURRENT RATING
3000 A

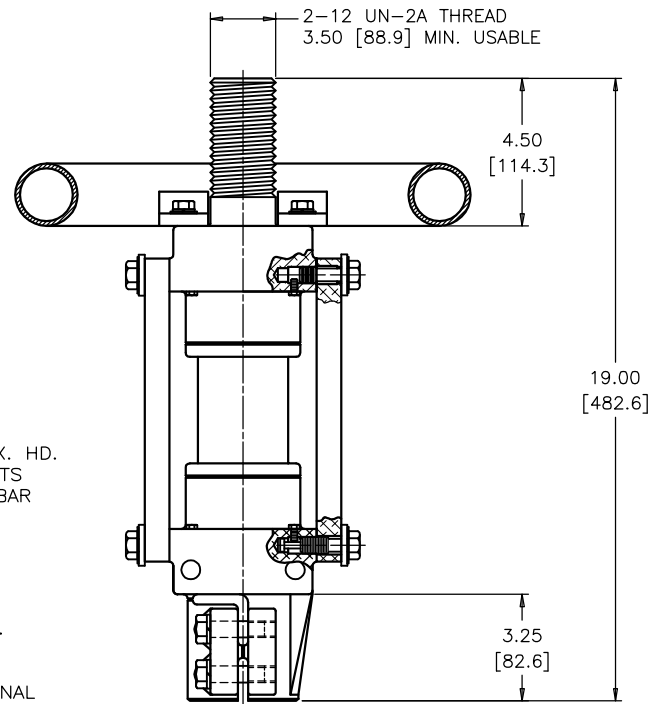
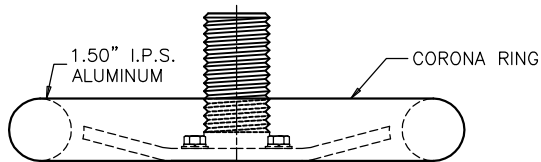
BOTTOM TERMINAL
2-12 THREAD FEMALE

DATE 2-18-15 **REV. DATE**
REF.

(4) 3/8-16 HEX HEAD
CAP SCREWS WITH FLAT WASHERS
AND LOCK WASHERS SST.



UNITS ARE SHIPPED WITH NO-OX GREASE
APPLIED TO SIDE BLADE CONTACTS.
IT IS RECOMMENDED THAT THE CONTACTS
BE CLEANED AND GREASED PERIODICALLY
USING AN ELECTRICAL CONTACT OXIDATION
INHIBITING GREASE SPECIFICALLY MADE
FOR ALUMINUM CONTACTS.



(2) 1/2-13 HEX. HD.
CAPTIVE BOLTS
(1) IN EACH BAR

(6) 1/2-13 HEX. HD.
CAPTIVE BOLTS
(2) IN TOP TERMINAL
(4) IN BOTTOM TERMINAL

(4) 1/2" HEX HEAD
CAP SCREWS &
LOCK WASHERS

2-12 UN-2B THREAD
3.13 [79.4] MIN. USABLE

BOLTS ARE STAINLESS STEEL
HARDWARE IS ALUMINUM 356-T6

DIMENSIONS IN INCHES [MILLIMETERS]

REVISION

SCALE 1/4

NOTE TO PURCHASER:
ALL SALES OF PCORE PRODUCTS ARE SUBJECT
TO OUR STANDARD TERMS AND CONDITIONS
AND THE LIMITED WARRANTIES THEREUNDER