



PCORE
ELECTRIC

TITLE
SEISMICALLY ENHANCED TEST (SET) TERMINAL

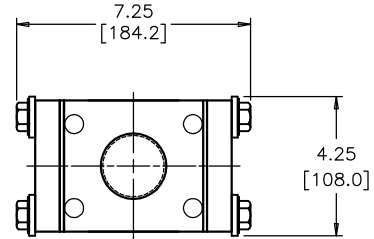
DWG. CATALOG NUMBER
SD B-63034-AF

TOP TERMINAL
2-12 THREAD MALE

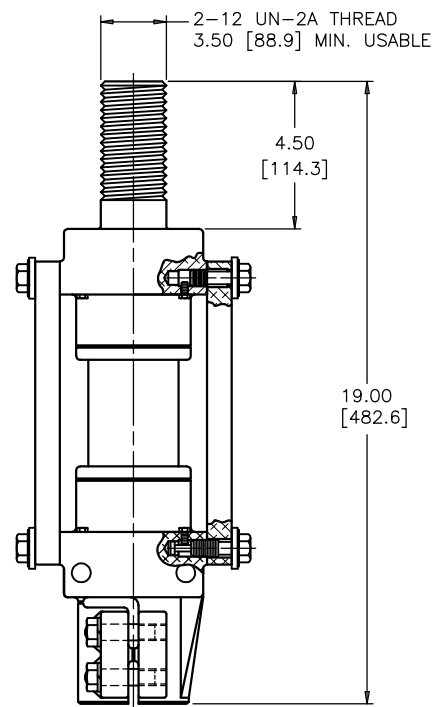
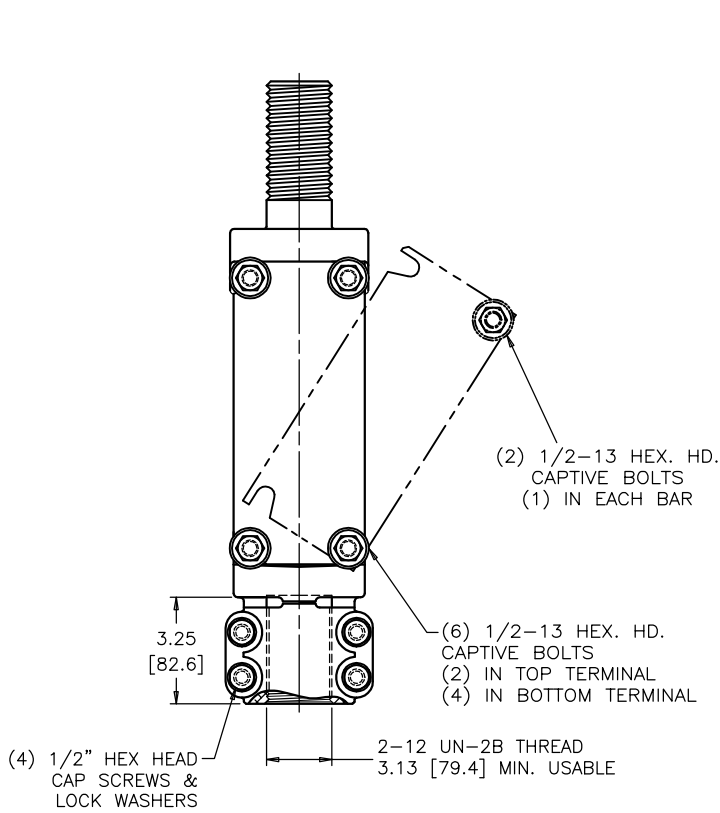
CURRENT RATING
3000 A

DATE 2-18-15 **REV. DATE**
REF.

BOTTOM TERMINAL
2-12 THREAD FEMALE



UNITS ARE SHIPPED WITH NO-OX GREASE APPLIED TO SIDE BLADE CONTACTS. IT IS RECOMMENDED THAT THE CONTACTS BE CLEANED AND GREASED PERIODICALLY USING AN ELECTRICAL CONTACT OXIDATION INHIBITING GREASE SPECIFICALLY MADE FOR ALUMINUM CONTACTS.



BOLTS ARE STAINLESS STEEL
HARDWARE IS ALUMINUM 356-T6

DIMENSIONS IN INCHES [MILLIMETERS]

REVISION

SCALE 1/4

NOTE TO PURCHASER:
ALL SALES OF PCORE PRODUCTS ARE SUBJECT TO OUR STANDARD TERMS AND CONDITIONS AND THE LIMITED WARRANTIES THEREUNDER