



PCORE
ELECTRIC

TITLE
SEISMICALLY ENHANCED TEST (SET) TERMINAL

DWG.	CATALOG NUMBER
SD	B-63037-58-AF

TOP TERMINAL
4 HOLE NEMA PAD (ROTATED 90°)

CURRENT RATING

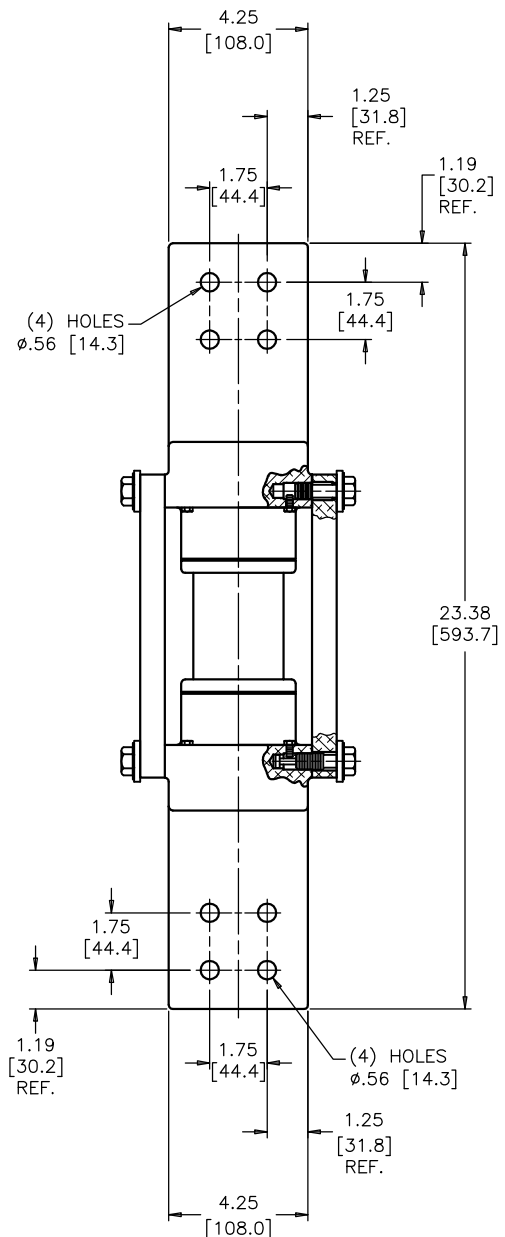
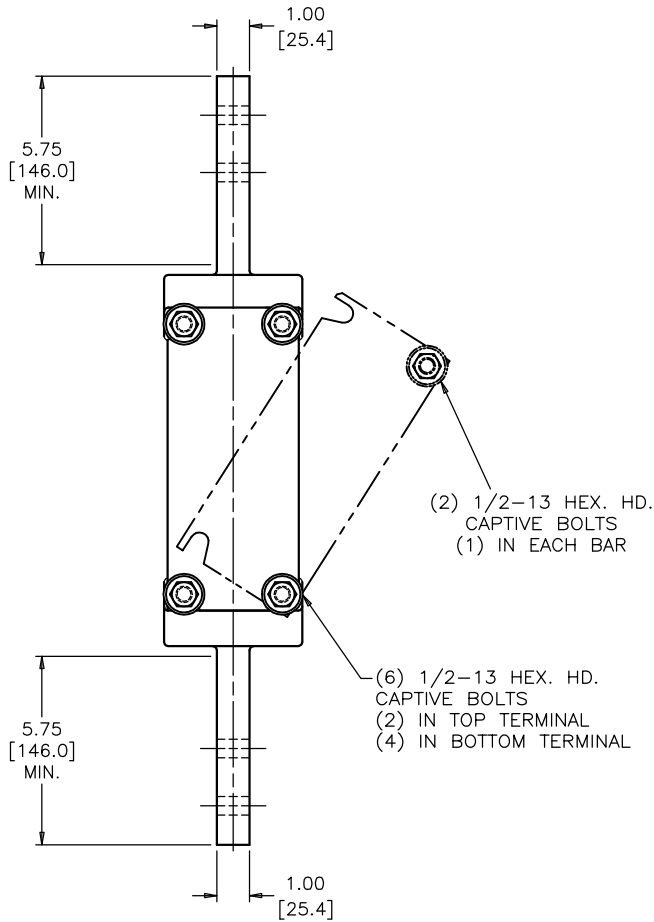
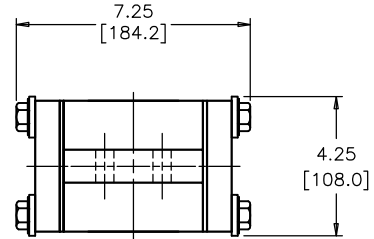
3000 A

DATE	6-26-15	REV. DATE	9-21-17
-------------	---------	------------------	---------

REF.

BOTTOM TERMINAL
4 HOLE NEMA PAD (ROTATED 90°)

UNITS ARE SHIPPED WITH NO-OX GREASE APPLIED TO SIDE BLADE CONTACTS. IT IS RECOMMENDED THAT THE CONTACTS BE CLEANED AND GREASED PERIODICALLY USING AN ELECTRICAL CONTACT OXIDATION INHIBITING GREASE SPECIFICALLY MADE FOR ALUMINUM CONTACTS.



BOLTS ARE STAINLESS STEEL
HARDWARE IS ALUMINUM

DIMENSIONS IN INCHES [MILLIMETERS]

REVISION UPDATED NOTES

SCALE 1/4

NOTE TO PURCHASER:
ALL SALES OF PCORE PRODUCTS ARE SUBJECT TO OUR STANDARD TERMS AND CONDITIONS AND THE LIMITED WARRANTIES THEREUNDER