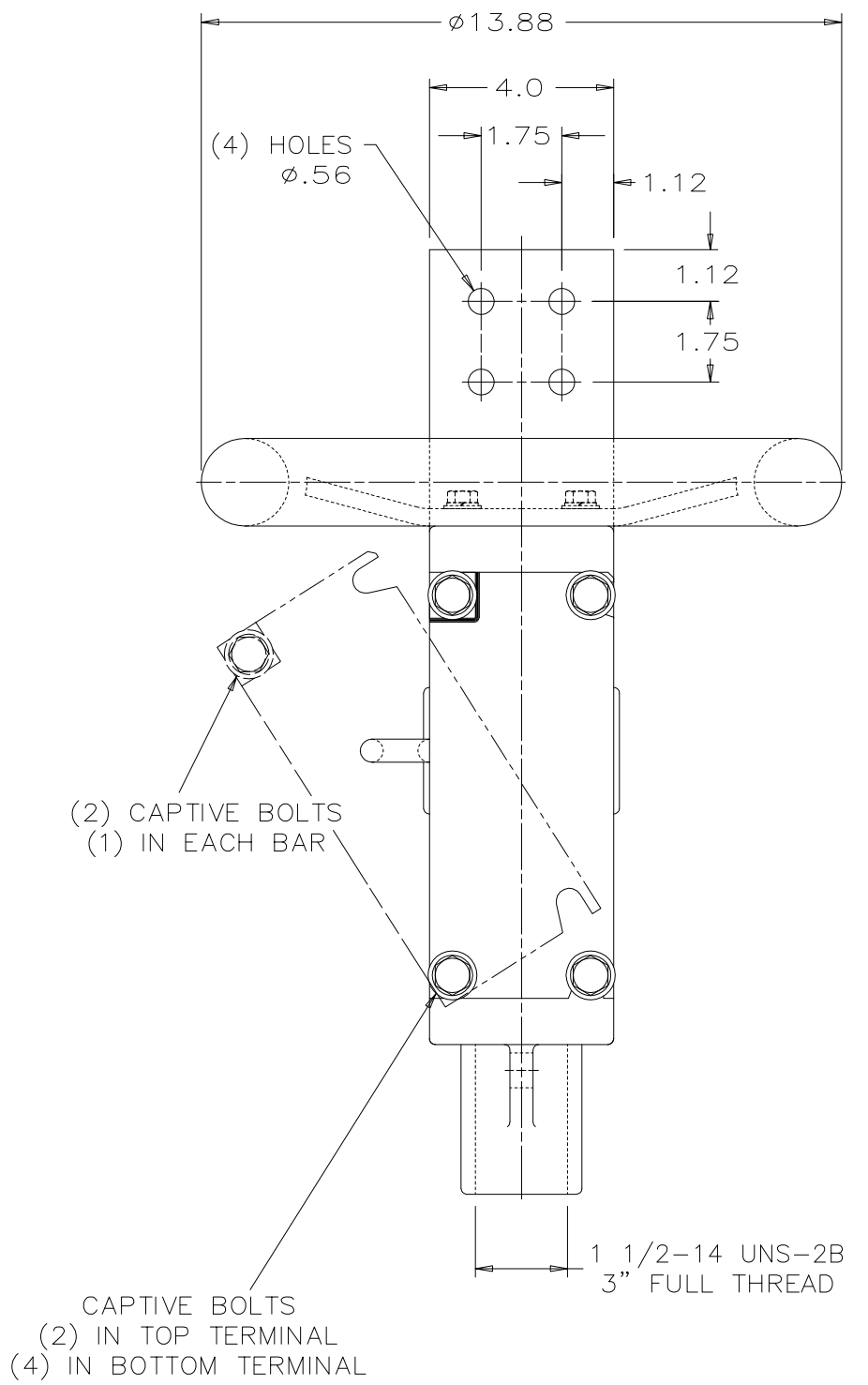
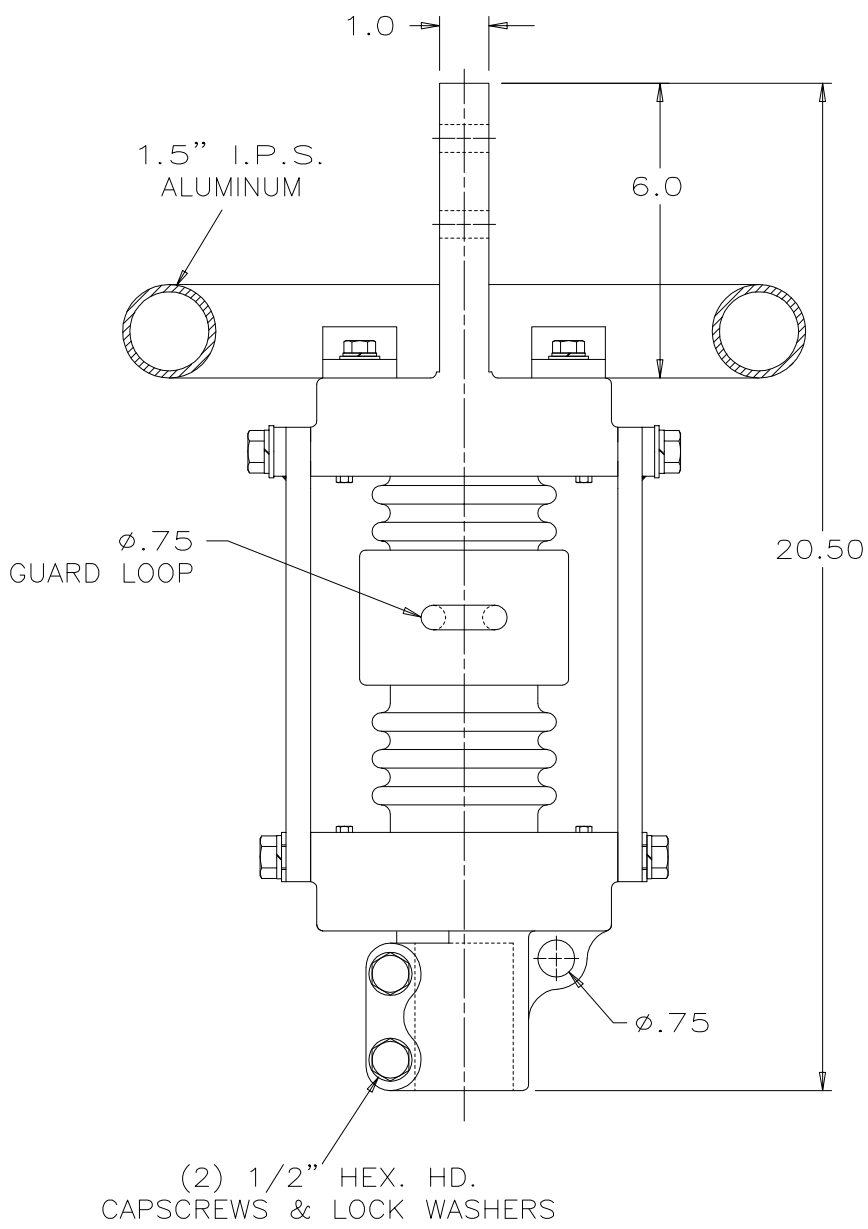
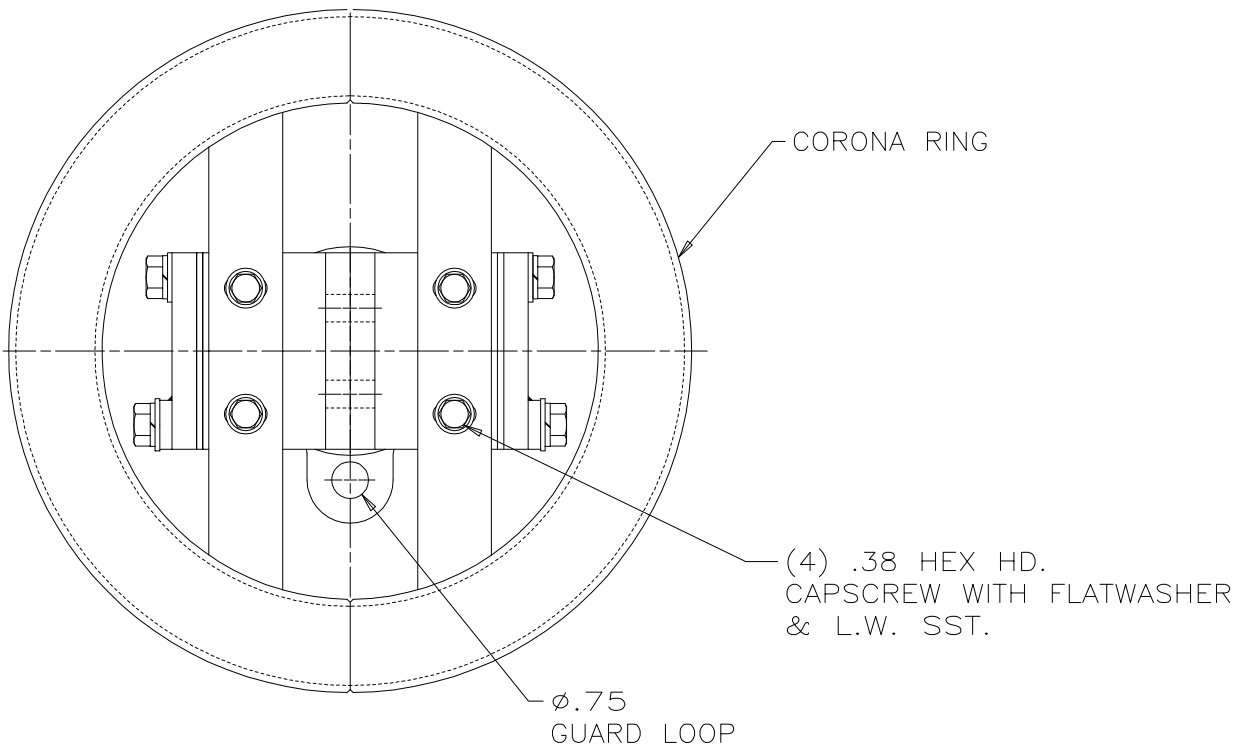


		TITLE DOBLE TEST TERMINAL WITH ONE CORONA RING 2000 AMP	DWG.	CATALOG NUMBER	UPPER PORCELAIN GLAZE COLOR
DWG. DATE	REV. DATE		SD	B63043-E	CHOCOLATE
4-25-88	12-8-93		SD	B63043-E-70	LT. GRAY No.70



BOLTS ARE EVERDUR AND STAINLESS STEEL  
HARDWARE IS HIGH CONDUCTIVITY COPPER - SILVER PLATED  
APPROXIMATE WEIGHT: 65 lbs.

NOTE TO PURCHASER  
ALL SALES OF LAPP PRODUCTS ARE  
SUBJECT TO OUR STANDARD TERMS  
AND CONDITIONS AND THE LIMITED  
WARRANTIES THEREUNDER