

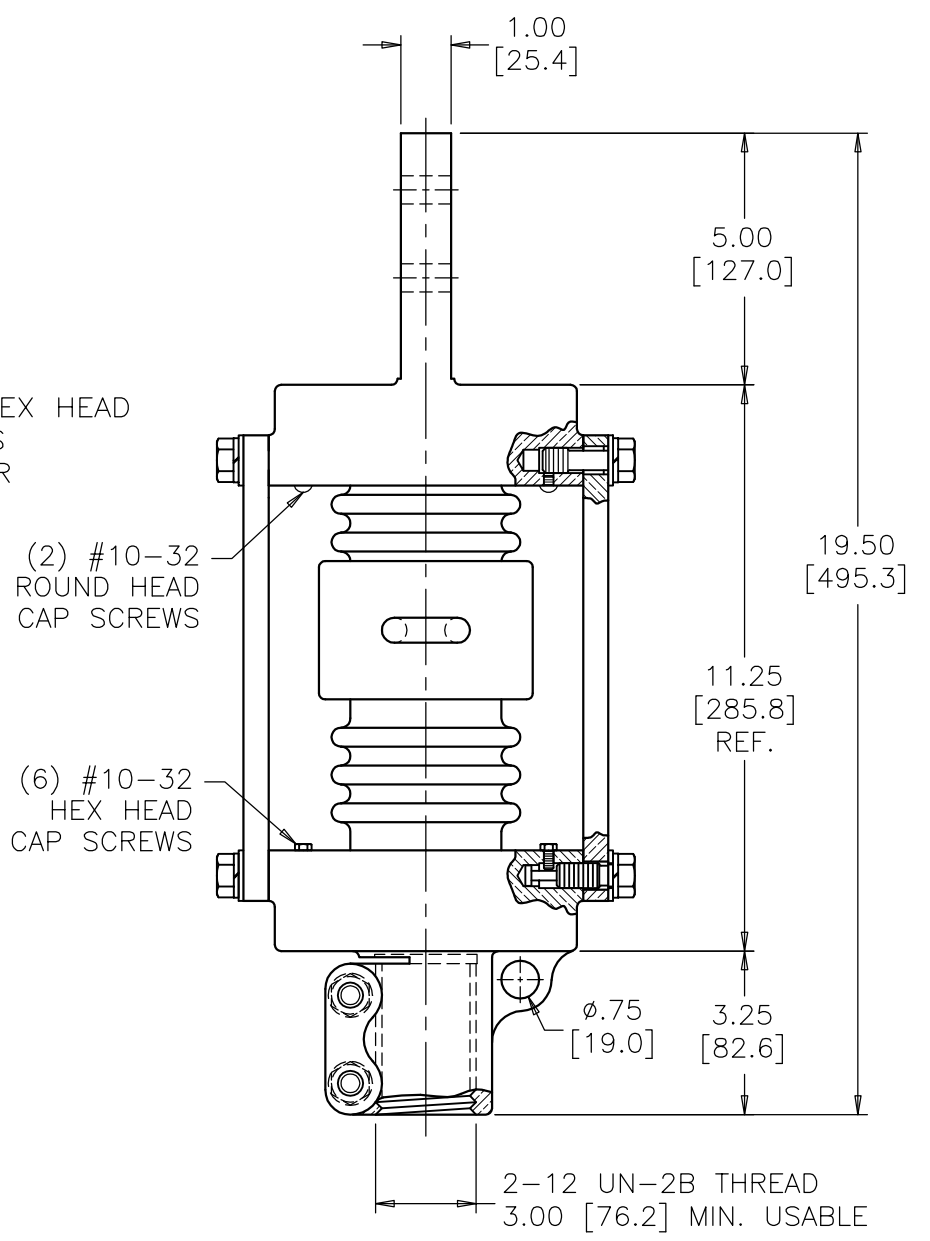
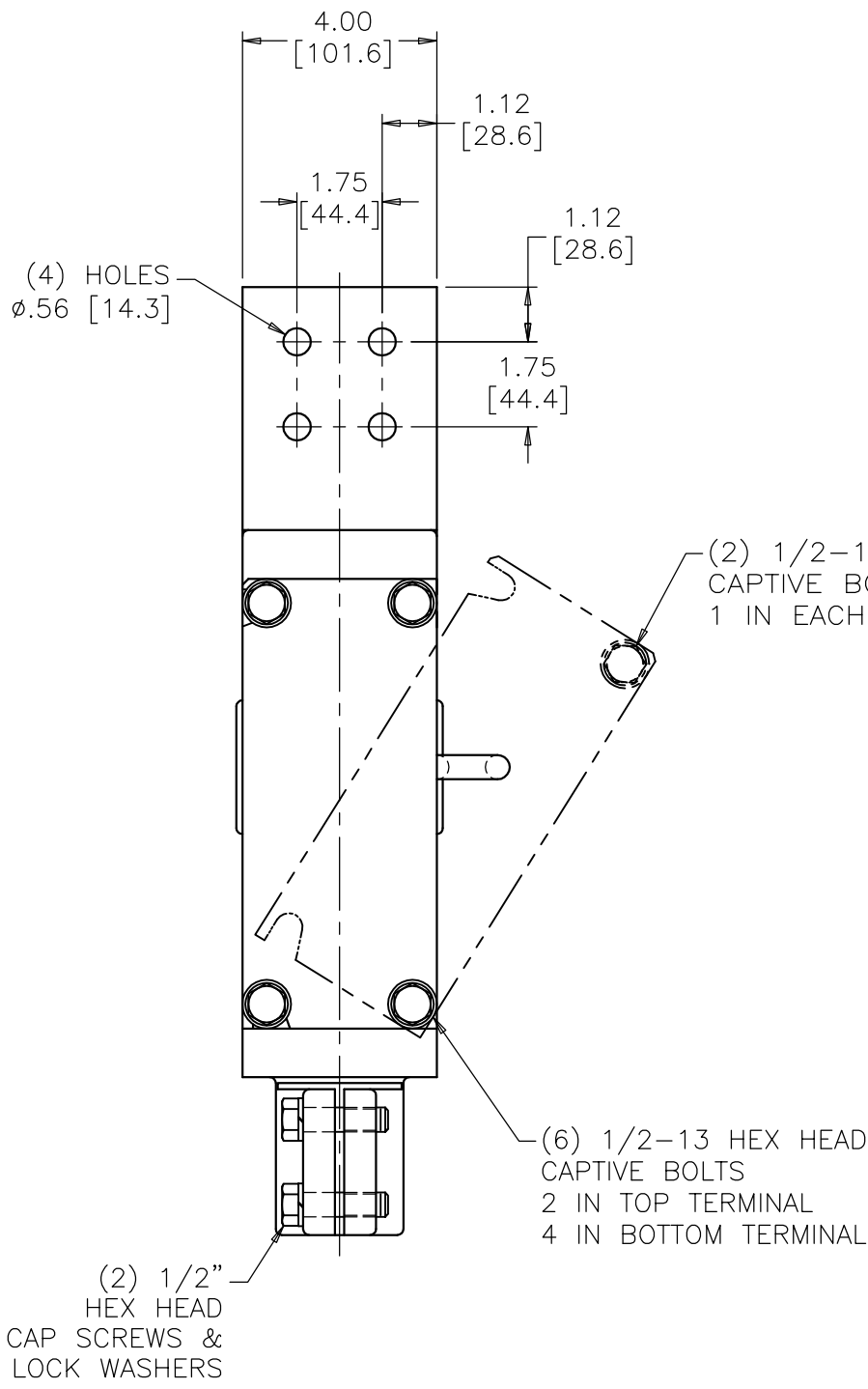
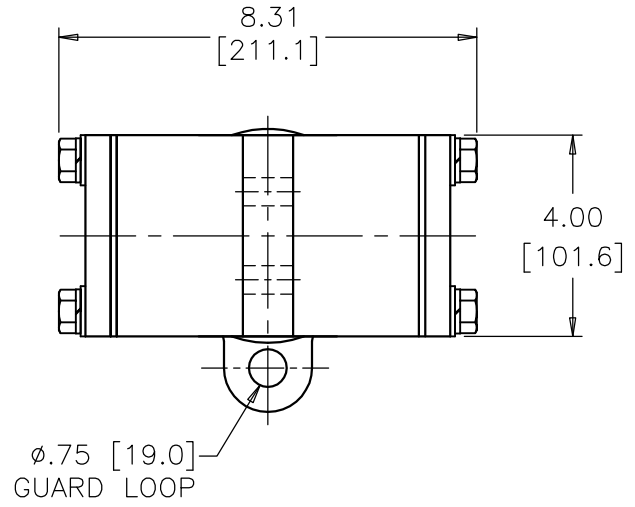


**PCORE**  
ELECTRIC

TITLE	TEST TERMINAL
TOP TERMINAL	4 HOLE NEMA PAD
BOTTOM TERMINAL	2-12 THREAD FEMALE

DWG.	CATALOG NUMBER	GLAZE COLOR
SD	B-63055	BROWN
SD	B-63055-70	LT. GRAY
CURRENT RATING		
3000 A		

DATE	10-9-68	REV. DATE	3-11-09
REF.			



BOLTS ARE EVERDUR AND STAINLESS STEEL  
HARDWARE IS HIGH CONDUCTIVITY COPPER - SILVER PLATED

DIMENSIONS IN INCHES [MILLIMETERS]

REVISION REMOVED KEEPERS

SCALE 1/4

NOTE TO PURCHASER:  
ALL SALES OF PCORE PRODUCTS ARE SUBJECT  
TO OUR STANDARD TERMS AND CONDITIONS  
AND THE LIMITED WARRANTIES THEREUNDER