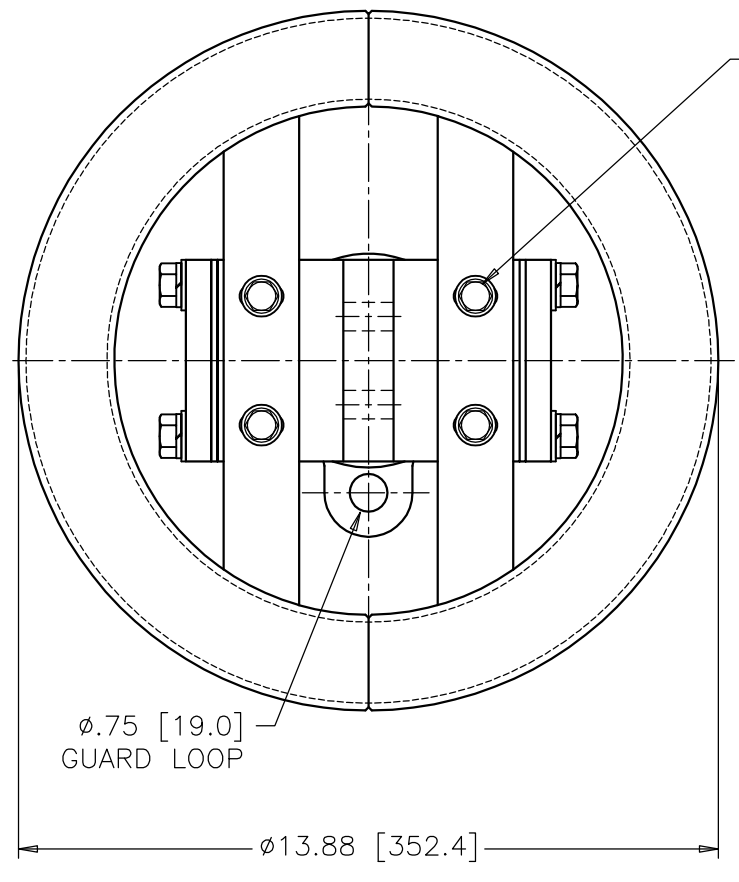


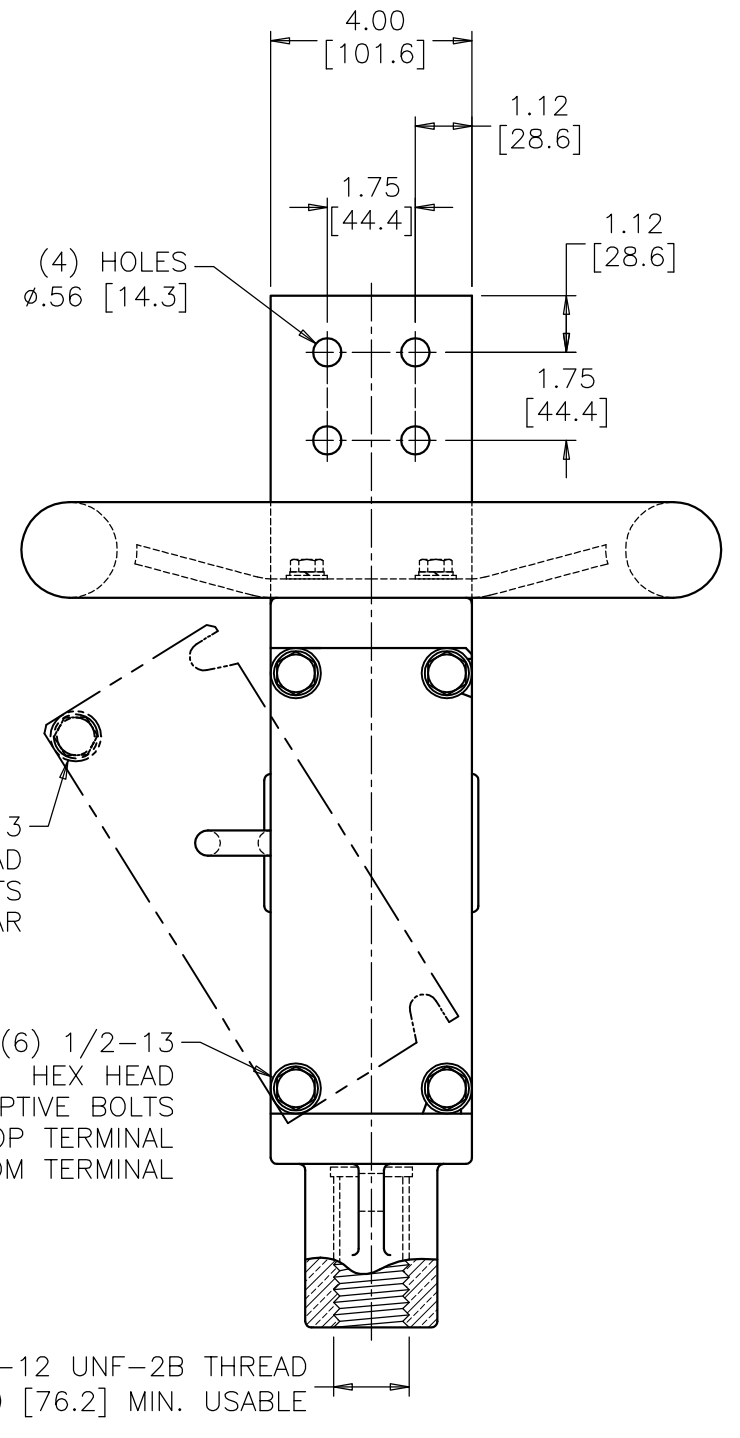
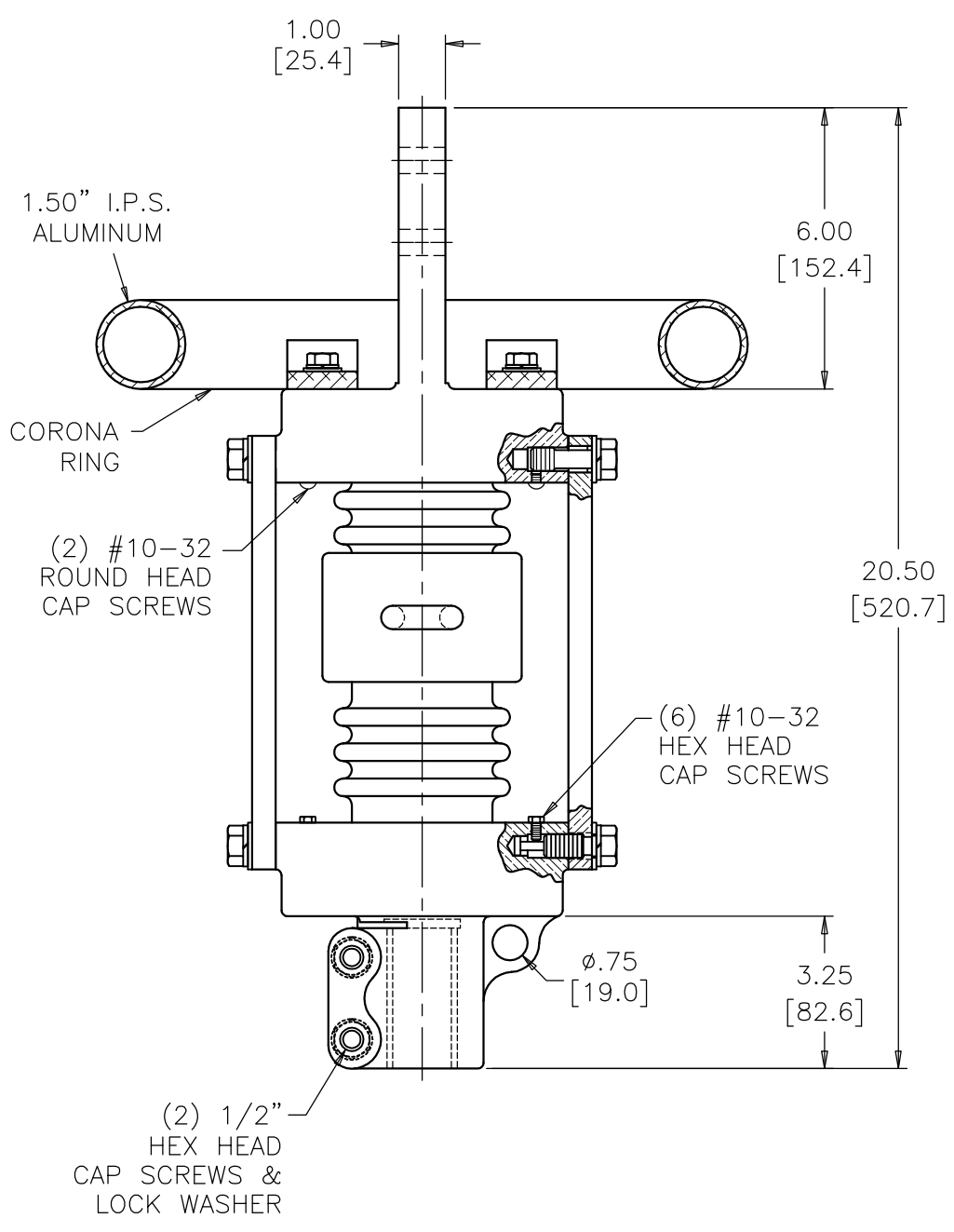
<b>TITLE</b>	TEST TERMINAL WITH ONE CORONA RING ON TOP TERMINAL
<b>TOP TERMINAL</b>	4 HOLE NEMA PAD
<b>BOTTOM TERMINAL</b>	1 1/2-12 THREAD FEMALE

<b>DWG.</b>	<b>CATALOG NUMBER</b>	<b>GLAZE COLOR</b>
SD	B-63056-E	BROWN
SD	B-63056-E-70	LT. GRAY
<b>CURRENT RATING</b>		
2000 A		

<b>DATE</b>	6-8-81	<b>REV. DATE</b>	3-11-09
<b>REF.</b>			



(4) 3/8-16 HEX HEAD  
CAP SCREWS WITH FLAT WASHERS  
AND LOCK WASHERS SST.



(4) HOLES  
Ø.56 [14.3]

(2) 1/2-13  
HEX HEAD  
CAPTIVE BOLTS  
1 IN EACH BAR

(6) 1/2-13  
HEX HEAD  
CAPTIVE BOLTS  
2 IN TOP TERMINAL  
4 IN BOTTOM TERMINAL

1 1/2-12 UNF-2B THREAD  
3.00 [76.2] MIN. USABLE

BOLTS ARE EVERDUR AND STAINLESS STEEL  
 HARDWARE IS HIGH CONDUCTIVITY COPPER - SILVER PLATED

DIMENSIONS IN INCHES [MILLIMETERS]

REVISION REMOVED KEEPERS

SCALE 1/4

NOTE TO PURCHASER:  
 ALL SALES OF PCORE PRODUCTS ARE SUBJECT  
 TO OUR STANDARD TERMS AND CONDITIONS  
 AND THE LIMITED WARRANTIES THEREUNDER