



PCORE
ELECTRIC

TITLE
SEISMICALLY ENHANCED TEST (SET) TERMINAL
TERMINAL WITH TWO CORONA RINGS

DWG. CATALOG NUMBER
SD B-63066-AF-EE

TOP TERMINAL
4 HOLE NEMA PAD

CURRENT RATING
3000 A

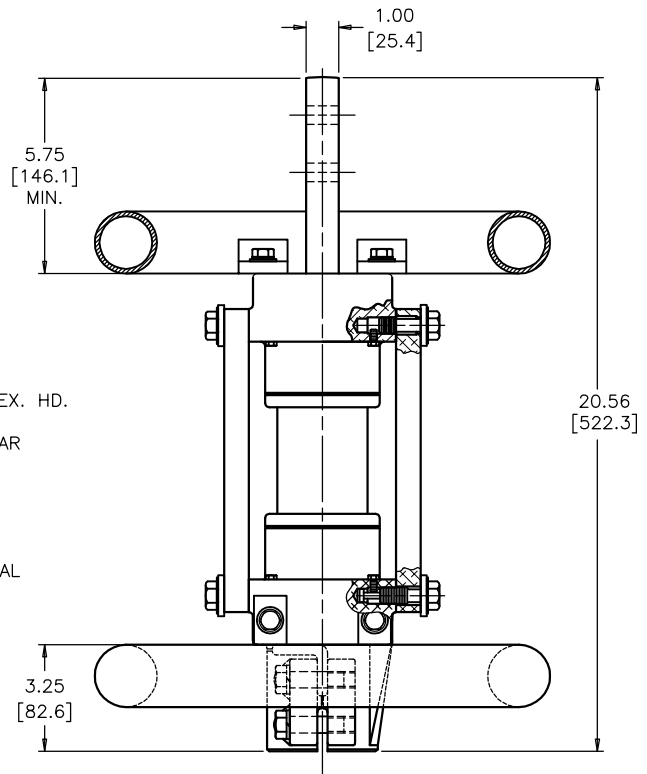
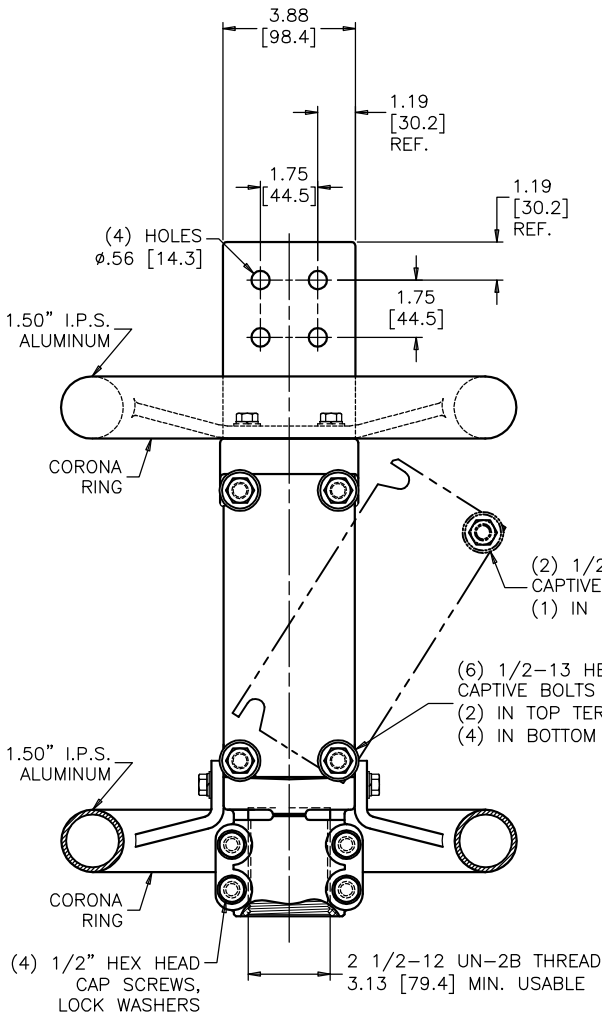
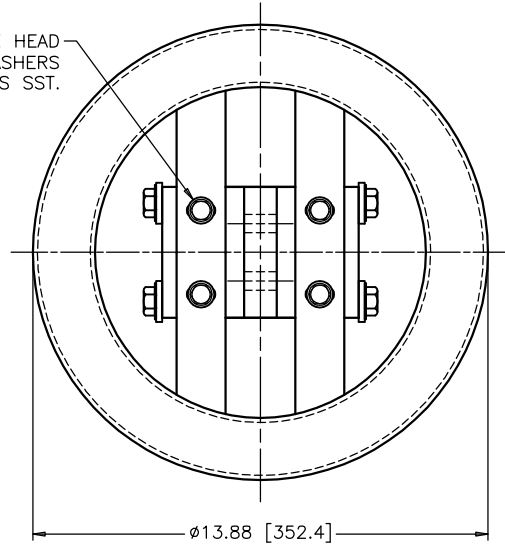
DATE 2-4-16 **REV. DATE** 9-21-17

REF.

BOTTOM TERMINAL
2 1/2-12 FEMALE THREAD

UNITS ARE SHIPPED WITH NO-OX GREASE APPLIED TO SIDE BLADE CONTACTS. IT IS RECOMMENDED THAT THE CONTACTS BE CLEANED AND GREASED PERIODICALLY USING AN ELECTRICAL CONTACT OXIDATION INHIBITING GREASE SPECIFICALLY MADE FOR ALUMINUM CONTACTS.

(8) 3/8-16 HEX HEAD CAP SCREWS WITH FLAT WASHERS AND LOCK WASHERS SST.



BOLTS ARE STAINLESS STEEL
HARDWARE IS ALUMINUM

DIMENSIONS IN INCHES [MILLIMETERS]

REVISION UPDATED NOTES

SCALE 1/4

NOTE TO PURCHASER:
ALL SALES OF PCORE PRODUCTS ARE SUBJECT
TO OUR STANDARD TERMS AND CONDITIONS
AND THE LIMITED WARRANTIES THEREUNDER