



**TITLE**  
TEST TERMINAL

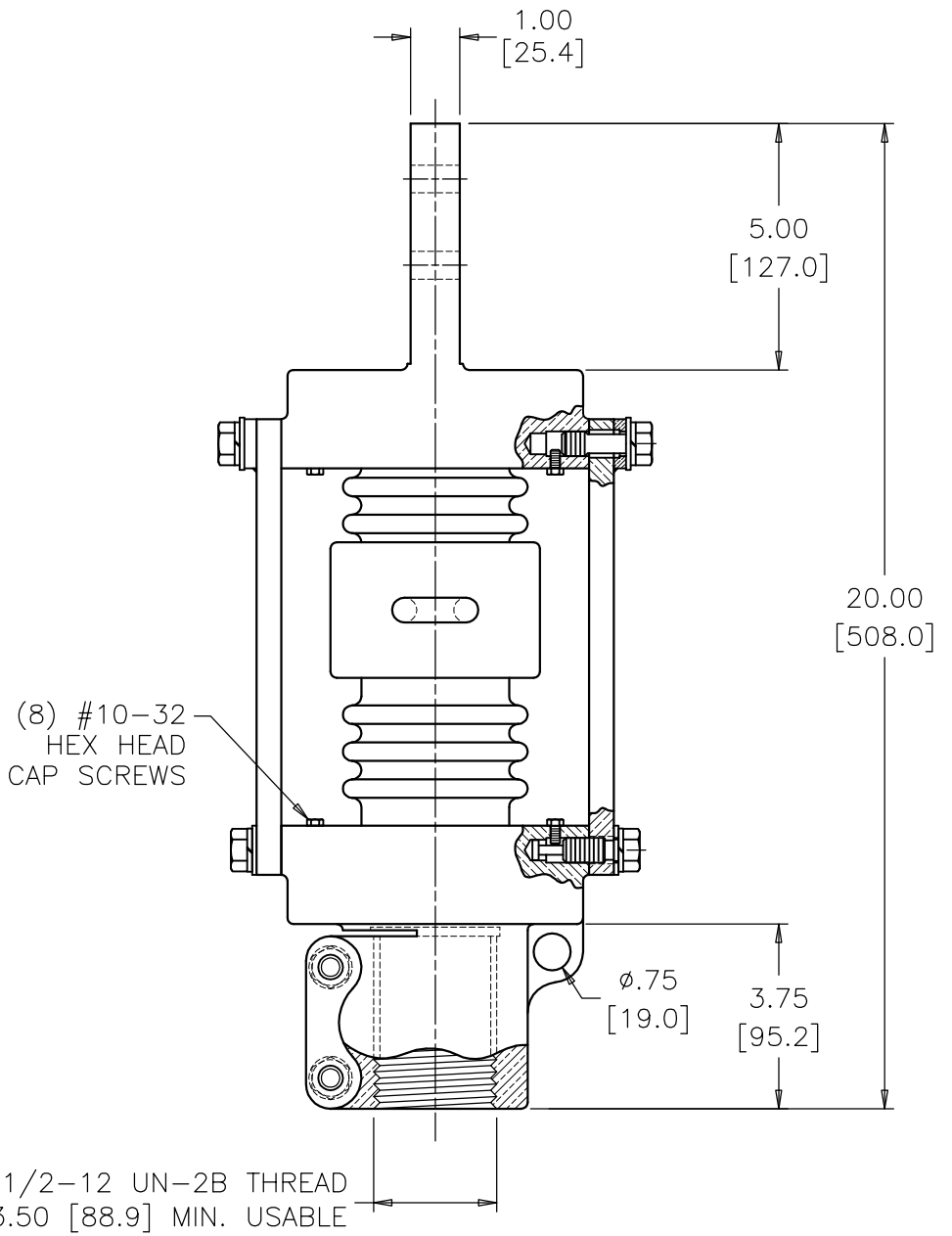
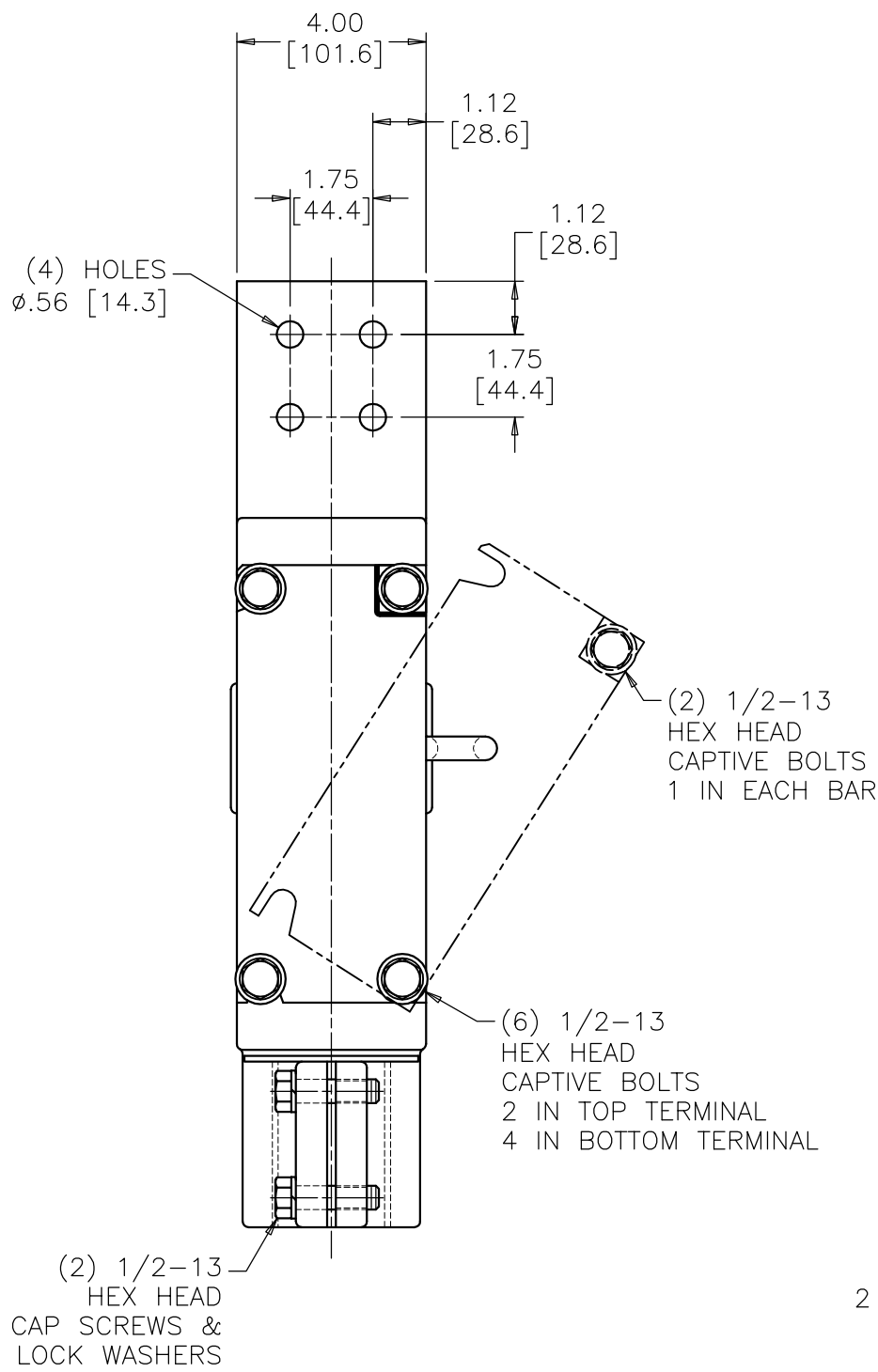
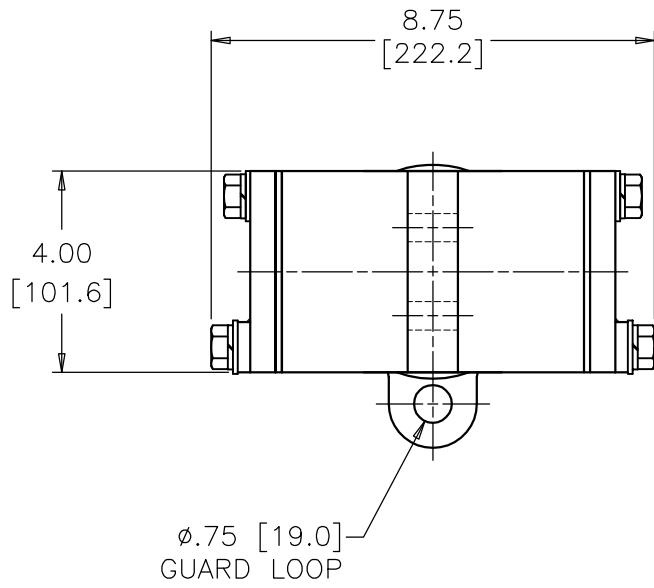
| DWG. | CATALOG NUMBER | GLAZE COLOR |
|------|----------------|-------------|
| SD   | B-63066        | BROWN       |
| SD   | B-63066-70     | LT. GRAY    |

**TOP TERMINAL**  
4 HOLE NEMA PAD

**CURRENT RATING**  
3000 A

**BOTTOM TERMINAL**  
2 1/2-12 THREAD FEMALE

|             |        |                  |         |
|-------------|--------|------------------|---------|
| <b>DATE</b> | 1-9-69 | <b>REV. DATE</b> | 1-24-08 |
| <b>REF.</b> |        |                  |         |



BOLTS ARE EVERDUR AND STAINLESS STEEL  
HARDWARE IS HIGH CONDUCTIVITY COPPER - SILVER PLATED

DIMENSIONS IN INCHES [MILLIMETERS]

**REVISION** REDRAWN ON CAD TO NEW STANDARDS, PCORE WAS LAPP, THREAD WAS UNF

**SCALE** 1/4

NOTE TO PURCHASER:  
ALL SALES OF PCORE PRODUCTS ARE SUBJECT  
TO OUR STANDARD TERMS AND CONDITIONS  
AND THE LIMITED WARRANTIES THEREUNDER