

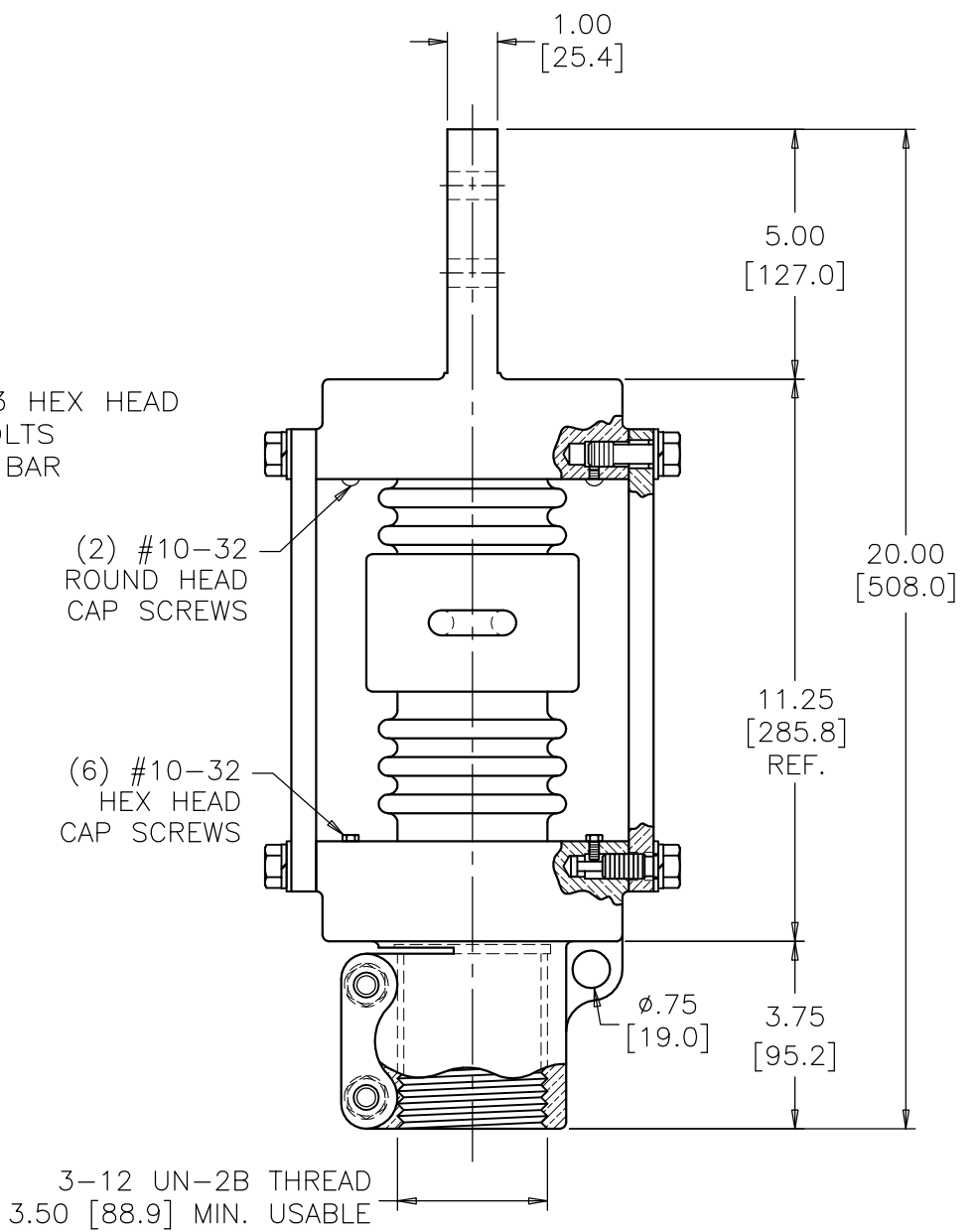
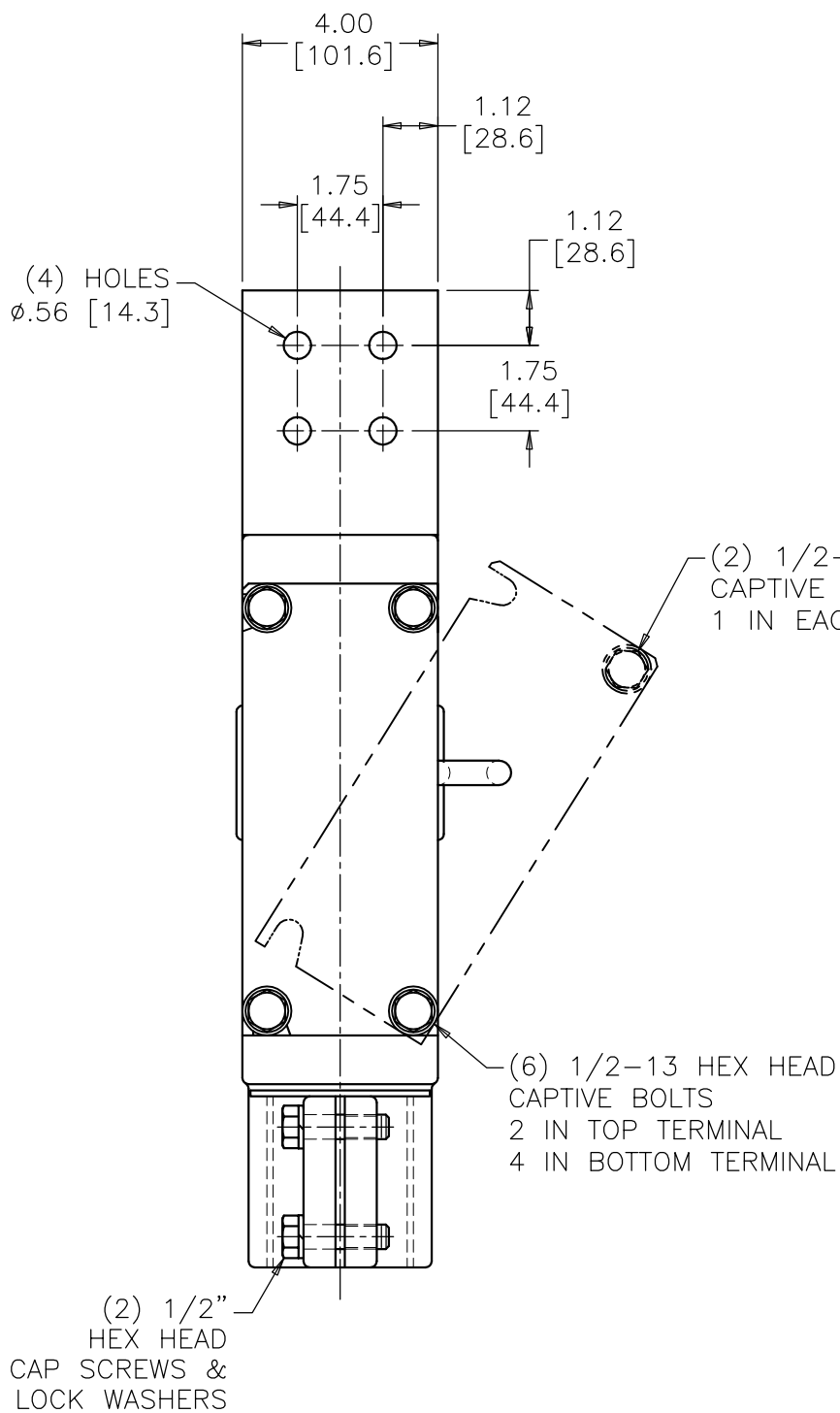
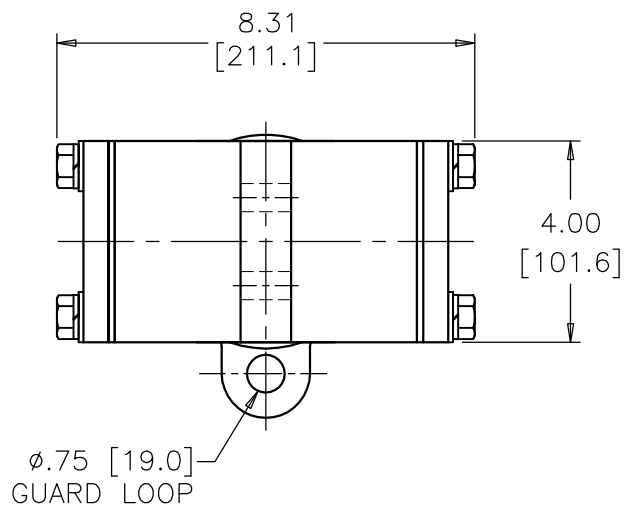


PCORE
ELECTRIC

TITLE	TEST TERMINAL
TOP TERMINAL	4 HOLE NEMA PAD
BOTTOM TERMINAL	3-12 THREAD FEMALE

DWG.	CATALOG NUMBER	GLAZE COLOR
SD	B-63071	BROWN
SD	B-63071-70	LT. GRAY
CURRENT RATING		3000 A

DATE	12-20-69	REV. DATE	3-11-09
REF.			



BOLTS ARE EVERDUR AND STAINLESS STEEL
HARDWARE IS HIGH CONDUCTIVITY COPPER - SILVER PLATED

DIMENSIONS IN INCHES [MILLIMETERS]

REVISION REMOVED KEEPERS

SCALE 1/4

NOTE TO PURCHASER:
ALL SALES OF PCORE PRODUCTS ARE SUBJECT
TO OUR STANDARD TERMS AND CONDITIONS
AND THE LIMITED WARRANTIES THEREUNDER