



PCORE
ELECTRIC

TITLE
SEISMICALLY ENHANCED TEST (SET) TERMINAL

DWG. CATALOG NUMBER
SD B-63073-CF

TOP TERMINAL
4-12 THREAD MALE

CURRENT RATING
4500 A

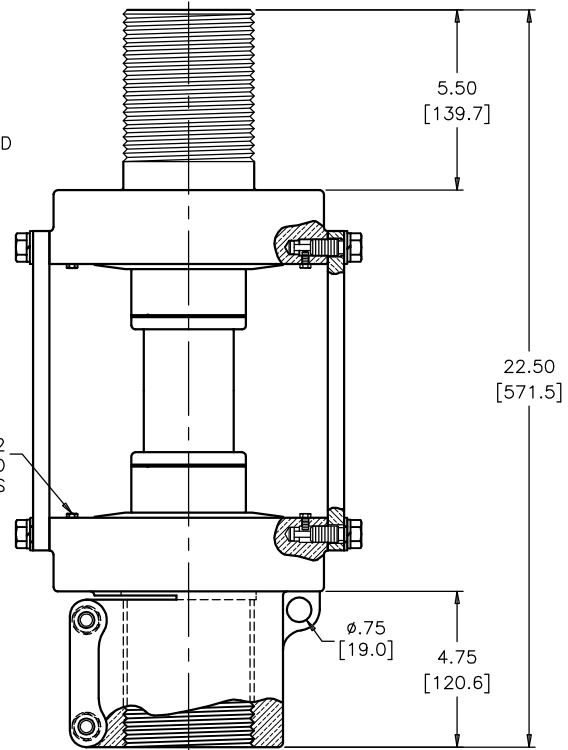
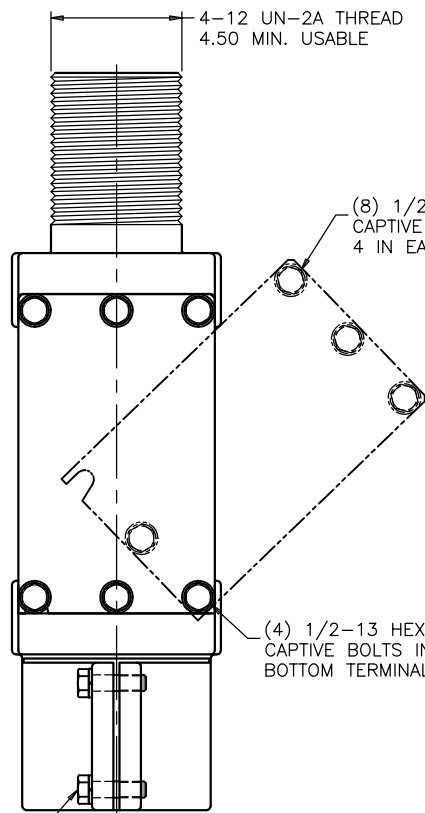
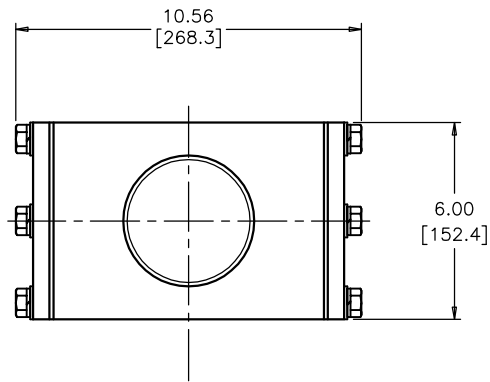
BOTTOM TERMINAL
4-12 THREAD FEMALE

DATE 1-28-16

REV. DATE

WEIGHT 110 lbs [50 kg]

REF.



(2) 1/2-13
HEX HEAD
CAP SCREWS &
LOCK WASHERS

(4) #10-32
HEX HEAD
CAP SCREWS

4-12 UN-2B
4.50 [114.3]
FULL THREAD

BOLTS ARE EVERDUR AND STAINLESS STEEL
HARDWARE IS HIGH CONDUCTIVITY COPPER - SILVER PLATED

DIMENSIONS IN INCHES [MILLIMETERS]

REVISION

SCALE 1/4

NOTE TO PURCHASER:
ALL SALES OF PCORE PRODUCTS ARE SUBJECT
TO OUR STANDARD TERMS AND CONDITIONS
AND THE LIMITED WARRANTIES THEREUNDER