



PCORE
ELECTRIC

TITLE TEST TERMINAL
ONE CORONA RING ON TOP TERMINAL

DWG.	CATALOG NUMBER	GLAZE COLOR
SD	B-63080-20-E	BROWN
SD	B-63080-20-E-70	LT. GRAY

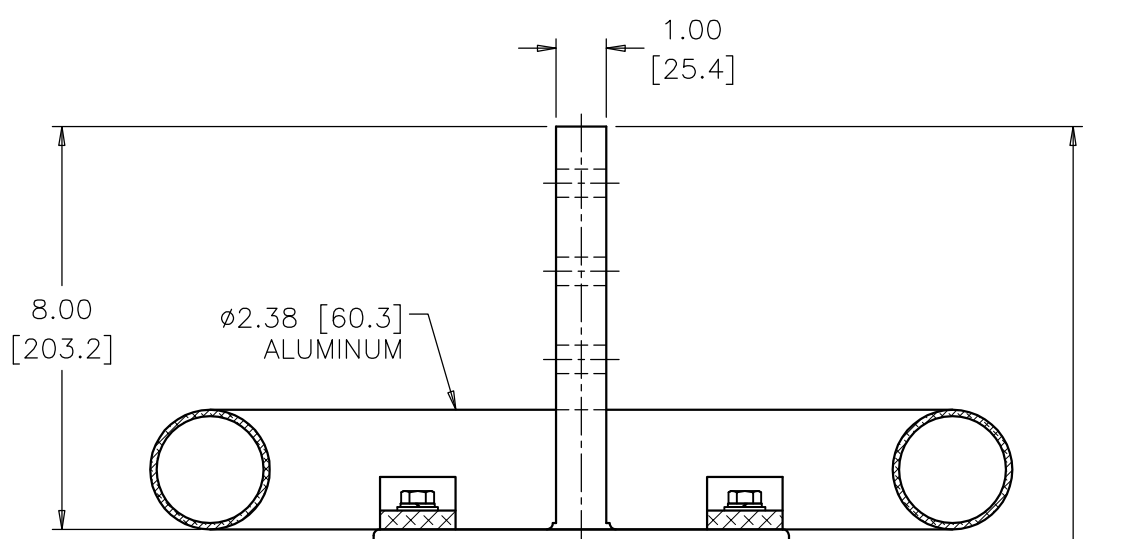
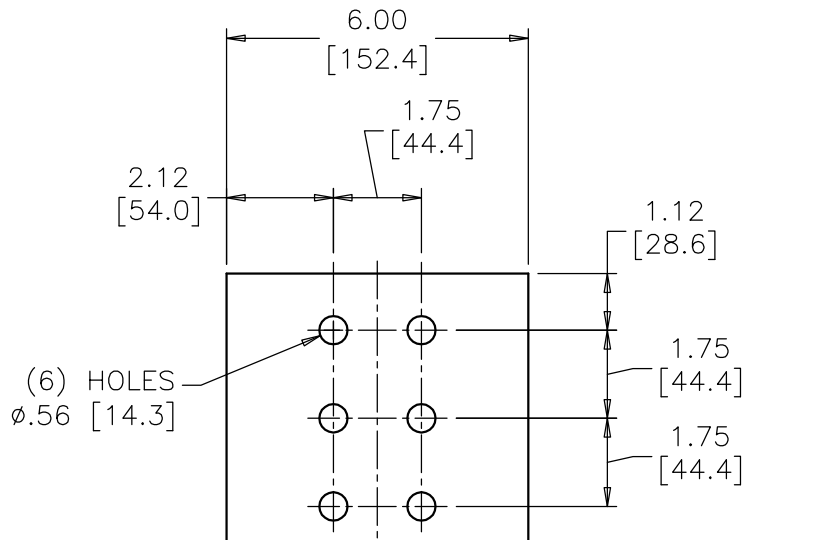
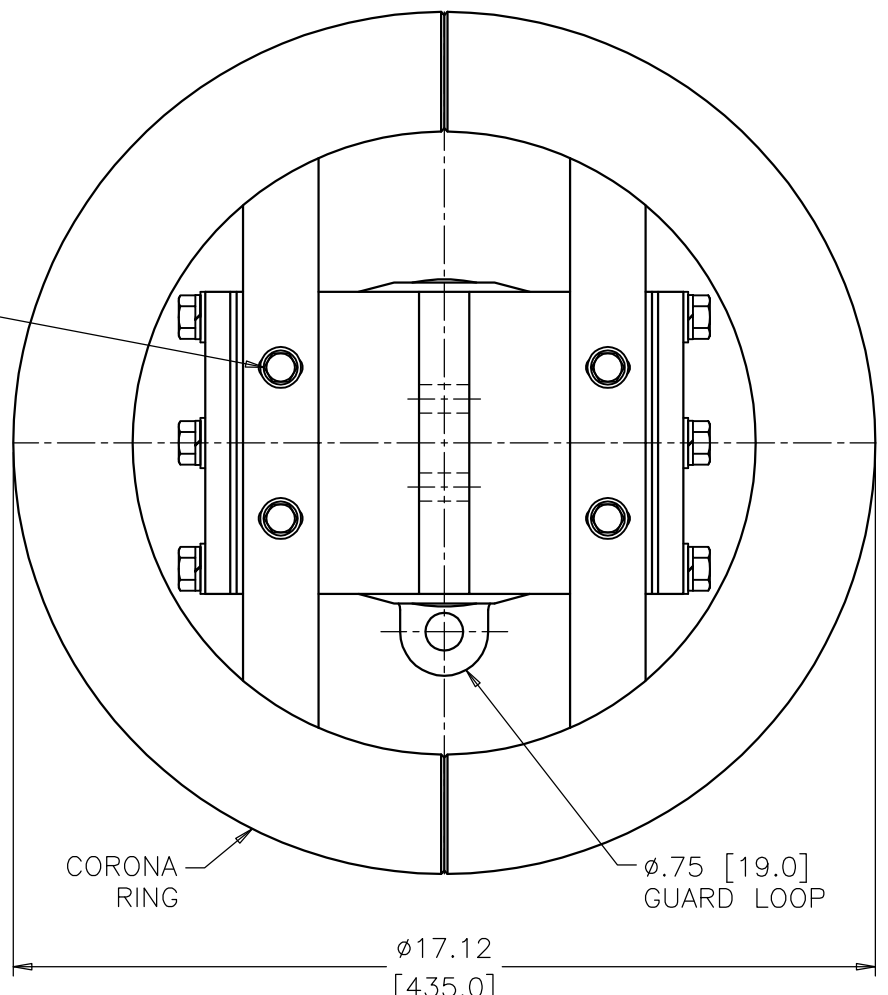
TOP TERMINAL 6 HOLE NEMA PAD
IN VERTICAL POSITION @ 1.75 [44.4] SPACING

CURRENT RATING
4000 A

BOTTOM TERMINAL
4-10 THREAD FEMALE

DATE 7-10-09	REV. DATE 12-17-10
REF.	

(4) 3/8-16 HEX HEAD CAP SCREWS WITH FLAT WASHERS AND LOCK WASHERS STAINLESS STEEL



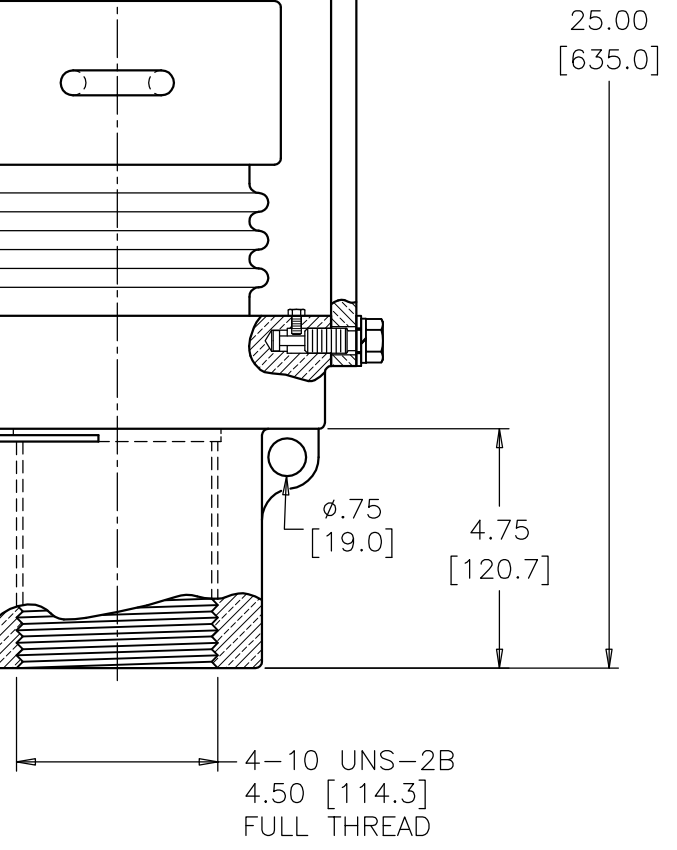
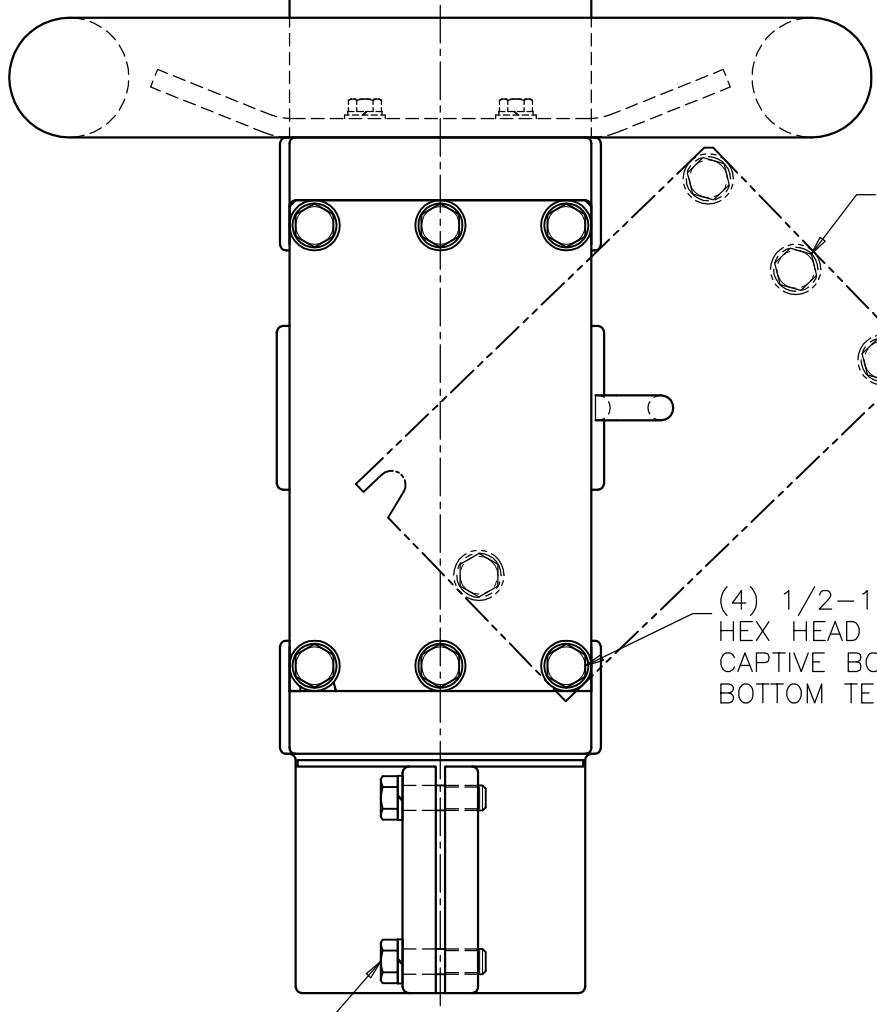
(8) 1/2-13 HEX HEAD CAPTIVE BOLTS 4 IN EACH BAR

(4) #10-32 ROUND HEAD CAP SCREWS

(4) #10-32 HEX HEAD CAP SCREWS

(4) 1/2-13 HEX HEAD CAPTIVE BOLTS IN BOTTOM TERMINAL

(2) 1/2-13 HEX HEAD CAP SCREWS & LOCK WASHERS



BOLTS ARE EVERDUR AND STAINLESS STEEL
HARDWARE IS HIGH CONDUCTIVITY COPPER - SILVER PLATED

DIMENSIONS IN INCHES [MILLIMETERS]

REVISION REMOVED KEEPERS, ADDED (4) #10-32 ROUND HEAD CAP SCREWS ON TOP TERMINAL; ERROR: LABEL WAS (4) HOLES	SCALE 1/4
---	------------------

NOTE TO PURCHASER:
ALL SALES OF PCORE PRODUCTS ARE SUBJECT TO OUR STANDARD TERMS AND CONDITIONS AND THE LIMITED WARRANTIES THEREUNDER