



PCORE
ELECTRIC

TITLE TEST TERMINAL

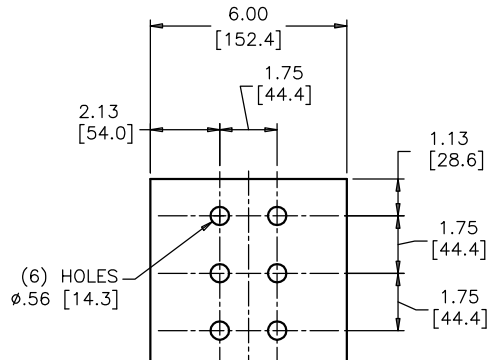
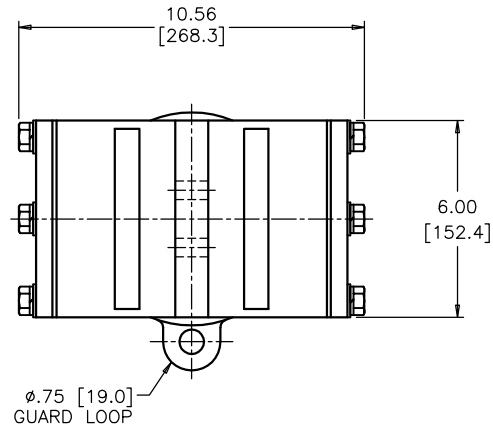
| DWG. | CATALOG NUMBER | GLAZE COLOR |
|------|----------------|-------------|
| SD | B-63080-20 | BROWN |
| SD | B-63080-20-70 | LT. GRAY |

TOP TERMINAL 6 HOLE NEMA PAD
IN VERTICAL POSITION @ 1.75 [44.4] SPACING

CURRENT RATING
4000 A

DATE 1-19-10 **REV. DATE** 8-27-14
REF.

BOTTOM TERMINAL
4-10 THREAD FEMALE



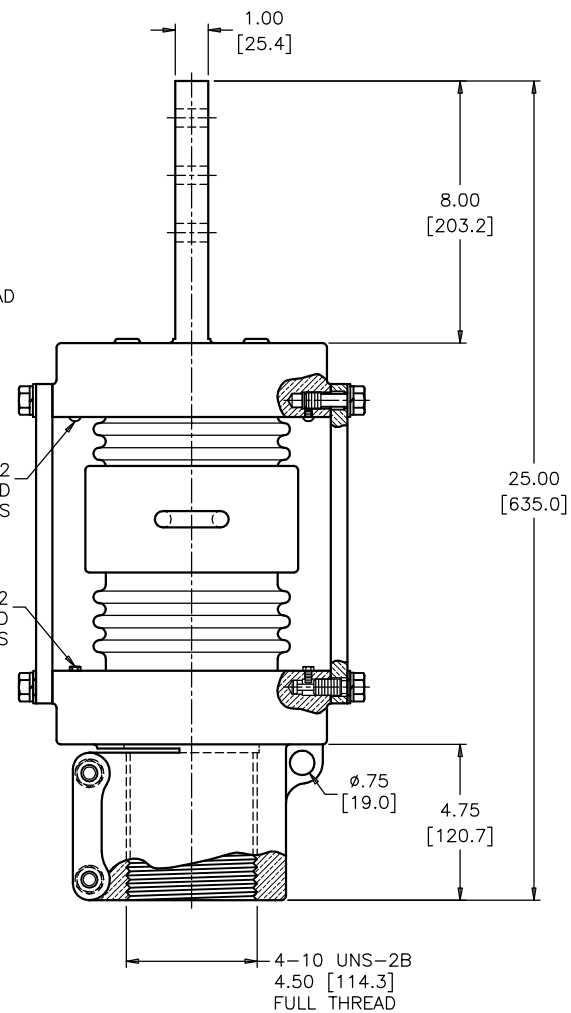
(8) 1/2-13 HEX HEAD CAPTIVE BOLTS
4 IN EACH BAR

(4) #10-32 ROUND HEAD CAP SCREWS

(4) #10-32 HEX HEAD CAP SCREWS

(4) 1/2-13 HEX HEAD CAPTIVE BOLTS IN
BOTTOM TERMINAL

(2) 1/2" HEX HEAD CAP SCREWS & LOCK WASHERS



BOLTS ARE EVERDUR AND STAINLESS STEEL
HARDWARE IS HIGH CONDUCTIVITY COPPER - SILVER PLATED

DIMENSIONS IN INCHES [MILLIMETERS]

REVISION ADDED RIDGES TO TOP CAP

SCALE 1/4

NOTE TO PURCHASER:
ALL SALES OF PCORE PRODUCTS ARE SUBJECT
TO OUR STANDARD TERMS AND CONDITIONS
AND THE LIMITED WARRANTIES THEREUNDER