



PCORE
ELECTRIC

TITLE SEISMICALLY ENHANCED TEST (SET) TERMINAL
ONE CORONA RING ON TOP TERMINAL

DWG. CATALOG NUMBER

SD B-63080-22-CF-E

TOP TERMINAL 6 HOLE NEMA PAD
IN HORIZONTAL POSITION @ 1.75 [44.4] SPACING

CURRENT RATING

4000 A

BOTTOM TERMINAL
4-10 THREAD FEMALE

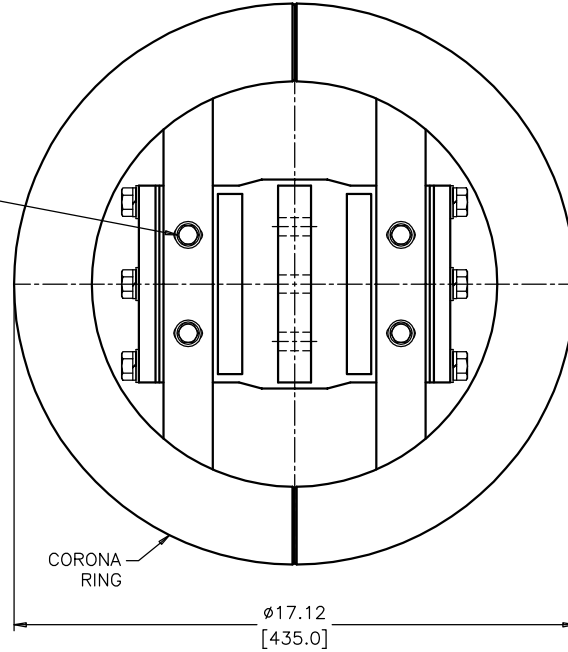
DATE 6-20-14

REV. DATE

WEIGHT 118lbs [54 kg]

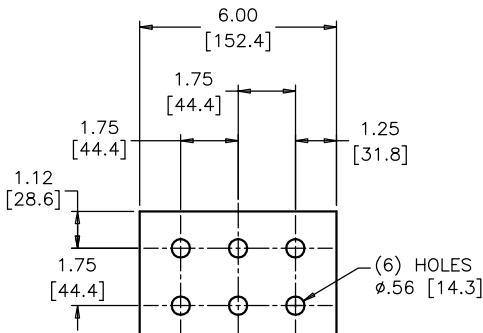
REF.

(4) 3/8-16 HEX HEAD CAP SCREWS
WITH FLAT WASHERS AND
LOCK WASHERS STAINLESS STEEL

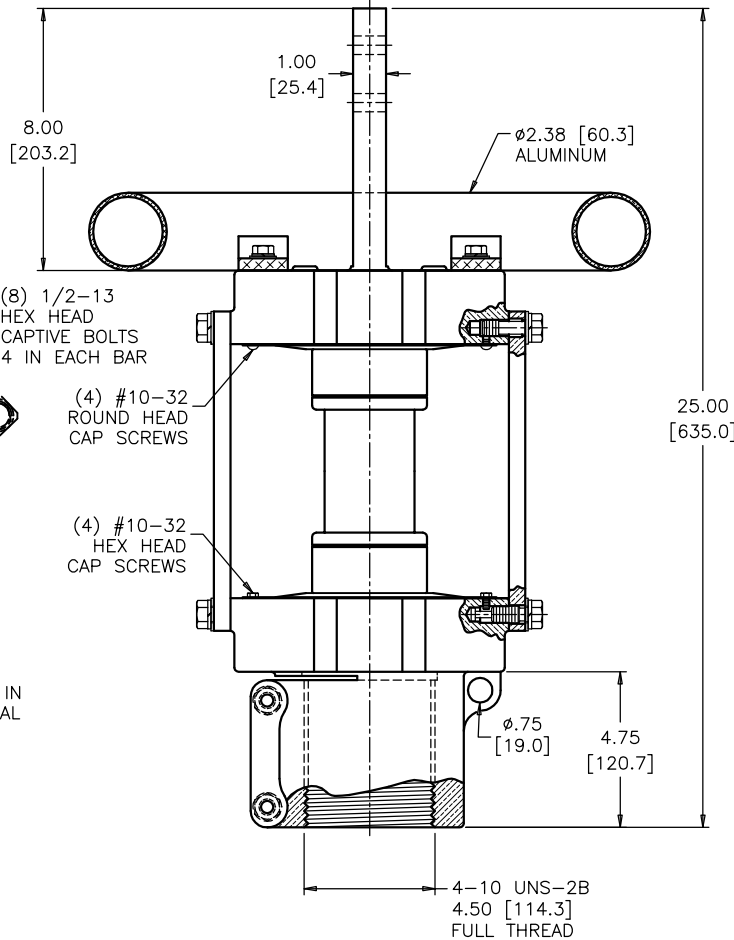


CORONA
RING

Ø17.12
[435.0]



(6) HOLES
Ø.56 [14.3]

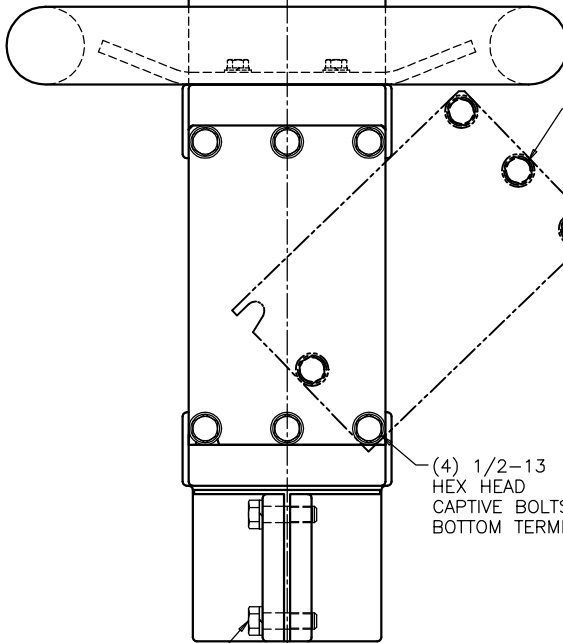


Ø2.38 [60.3]
ALUMINUM

25.00
[635.0]

Ø.75
[19.0]
4.75
[120.7]

4-10 UNS-2B
4.50 [114.3]
FULL THREAD



(8) 1/2-13
HEX HEAD
CAPTIVE BOLTS
4 IN EACH BAR

(4) #10-32
ROUND HEAD
CAP SCREWS

(4) #10-32
HEX HEAD
CAP SCREWS

(4) 1/2-13
HEX HEAD
CAPTIVE BOLTS IN
BOTTOM TERMINAL

(2) 1/2-13
HEX HEAD
CAP SCREWS &
LOCK WASHERS

BOLTS ARE EVERDUR AND STAINLESS STEEL
HARDWARE IS HIGH CONDUCTIVITY COPPER - SILVER PLATED

DIMENSIONS IN INCHES [MILLIMETERS]

NOTE TO PURCHASER:
ALL SALES OF PCORE PRODUCTS ARE SUBJECT
TO OUR STANDARD TERMS AND CONDITIONS
AND THE LIMITED WARRANTIES THEREUNDER

REVISION

SCALE 1/4