



PCORE
ELECTRIC

TITLE SEISMICALLY ENHANCED TEST (SET) TERMINAL
TWO CORONA RINGS

DWG. CATALOG NUMBER
SD B-63080-25-CF-EE

TOP TERMINAL
4 HOLE NEMA PAD @ 1.75 [44.4] SPACING

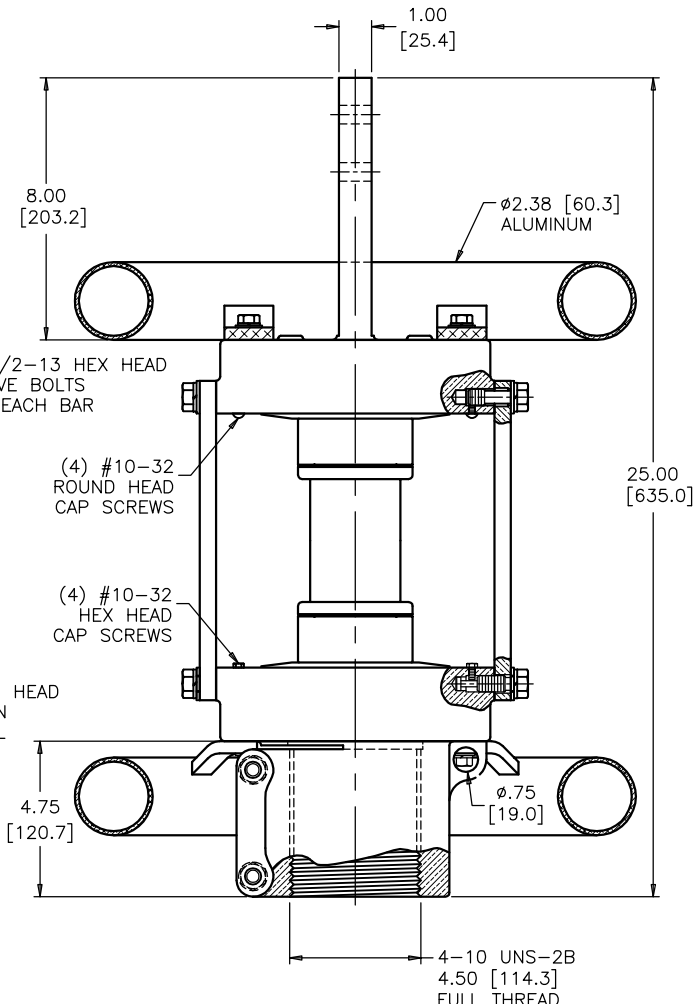
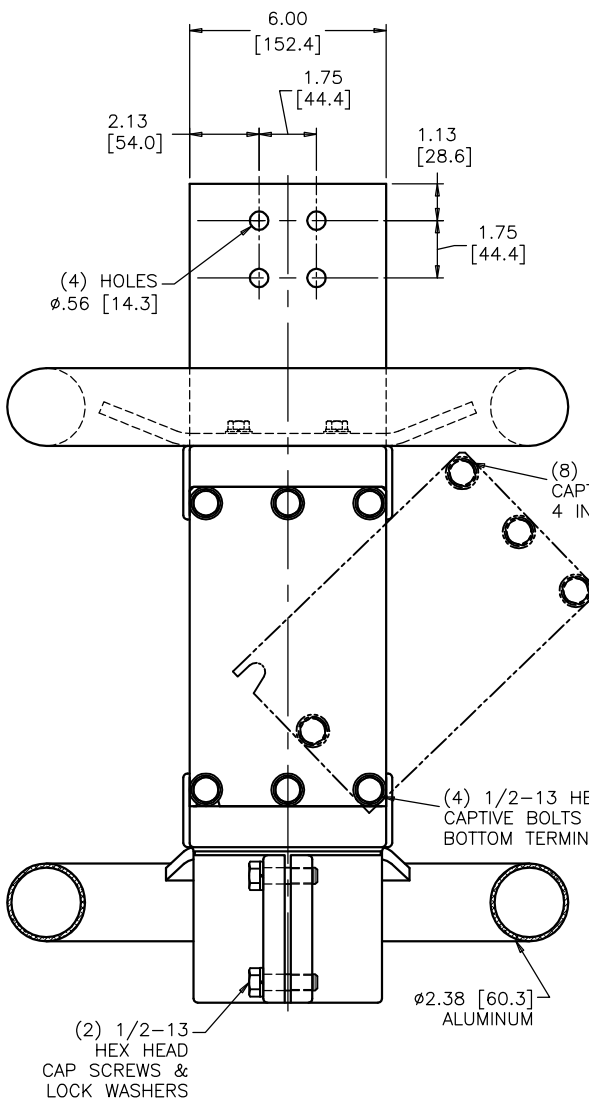
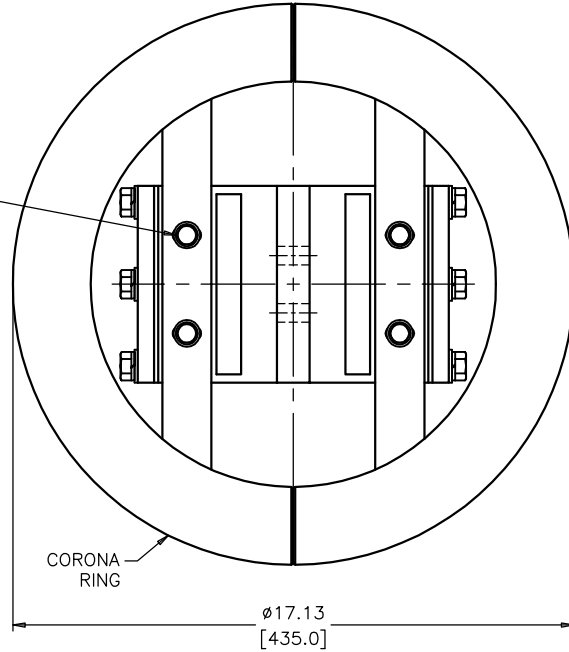
CURRENT RATING
4000 A

DATE 3-18-15
WEIGHT 125 lbs [57 kg]

REV. DATE
REF.

BOTTOM TERMINAL
4-10 THREAD FEMALE

(8) 3/8-16 HEX HEAD CAP SCREWS WITH FLAT WASHERS AND LOCK WASHERS STAINLESS STEEL



(4) HOLES ϕ .56 [14.3]

(8) 1/2-13 HEX HEAD CAPTIVE BOLTS 4 IN EACH BAR

(4) #10-32 ROUND HEAD CAP SCREWS

(4) #10-32 HEX HEAD CAP SCREWS

(4) 1/2-13 HEX HEAD CAPTIVE BOLTS IN BOTTOM TERMINAL

(2) 1/2-13 HEX HEAD CAP SCREWS & LOCK WASHERS

ϕ 2.38 [60.3] ALUMINUM

4-10 UNS-2B 4.50 [114.3] FULL THREAD

BOLTS ARE EVERDUR AND STAINLESS STEEL
HARDWARE IS HIGH CONDUCTIVITY COPPER - SILVER PLATED

DIMENSIONS IN INCHES [MILLIMETERS]

NOTE TO PURCHASER:
ALL SALES OF PCORE PRODUCTS ARE SUBJECT TO OUR STANDARD TERMS AND CONDITIONS AND THE LIMITED WARRANTIES THEREUNDER

REVISION

SCALE 1/4