



PCORE
ELECTRIC

TITLE
TEST TERMINAL

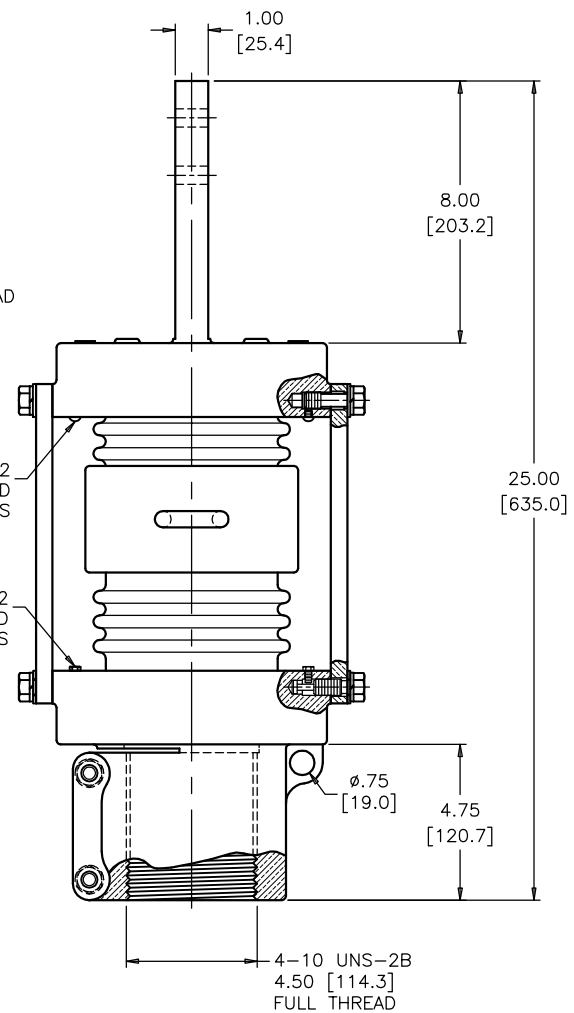
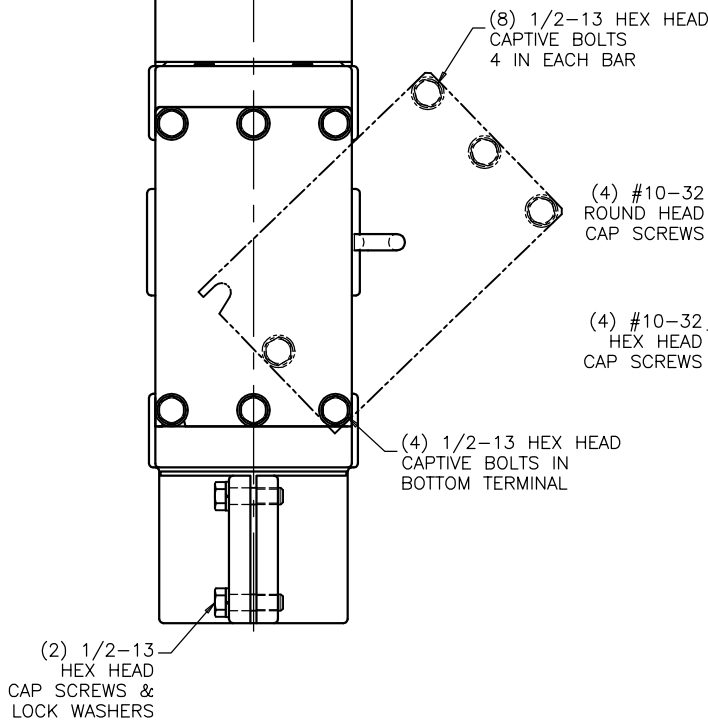
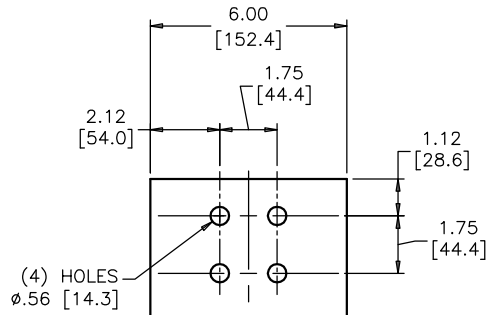
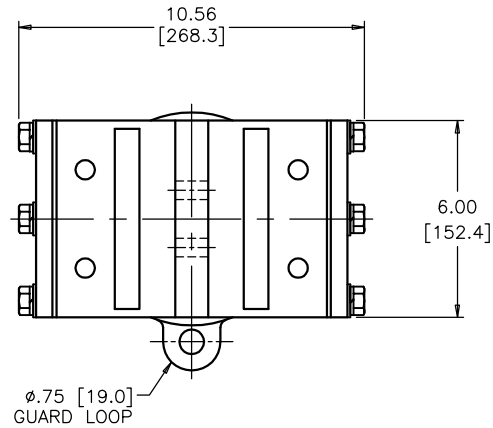
DWG.	CATALOG NUMBER	GLAZE COLOR
SD	B-63080-25	BROWN
SD	B-63080-25-70	LT. GRAY

TOP TERMINAL
4 HOLE NEMA PAD @ 1.75 [44.4] SPACING

CURRENT RATING
4000 A

DATE 11-17-10 **REV. DATE** 8-27-14
REF.

BOTTOM TERMINAL
4-10 THREAD FEMALE



BOLTS ARE EVERDUR AND STAINLESS STEEL
HARDWARE IS HIGH CONDUCTIVITY COPPER - SILVER PLATED

DIMENSIONS IN INCHES [MILLIMETERS]

REVISION ADDED RIDGES, CORONA RING HOLES, AND PLASTIC PLUGS TO TOP CAP

SCALE 1/4

NOTE TO PURCHASER:
ALL SALES OF PCORE PRODUCTS ARE SUBJECT TO OUR STANDARD TERMS AND CONDITIONS AND THE LIMITED WARRANTIES THEREUNDER