



TITLE
TEST TERMINAL
WITH ONE CORONA RING ON TOP TERMINAL

TOP TERMINAL
4 HOLE NEMA PAD

BOTTOM TERMINAL
2 1/4-12 THREAD FEMALE

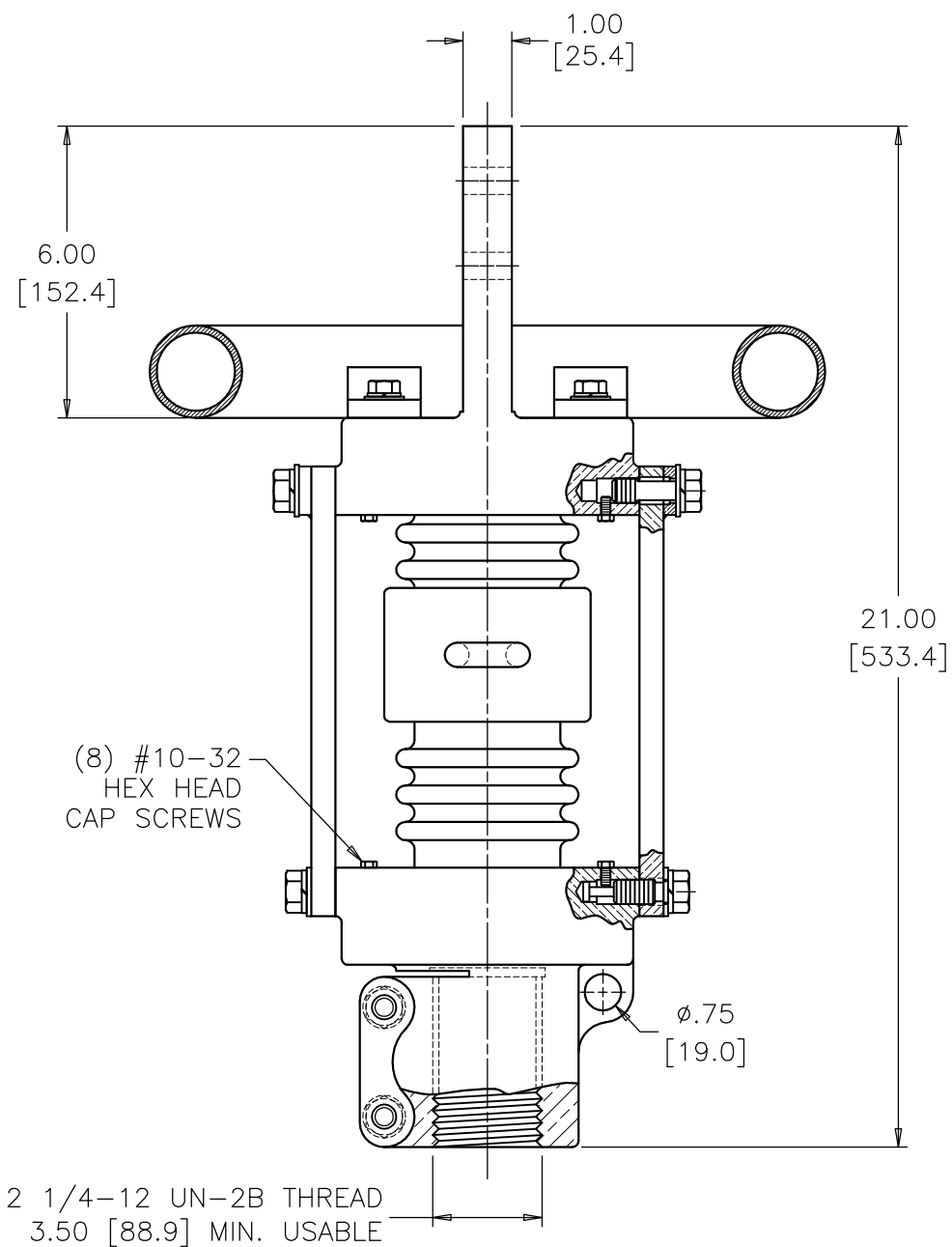
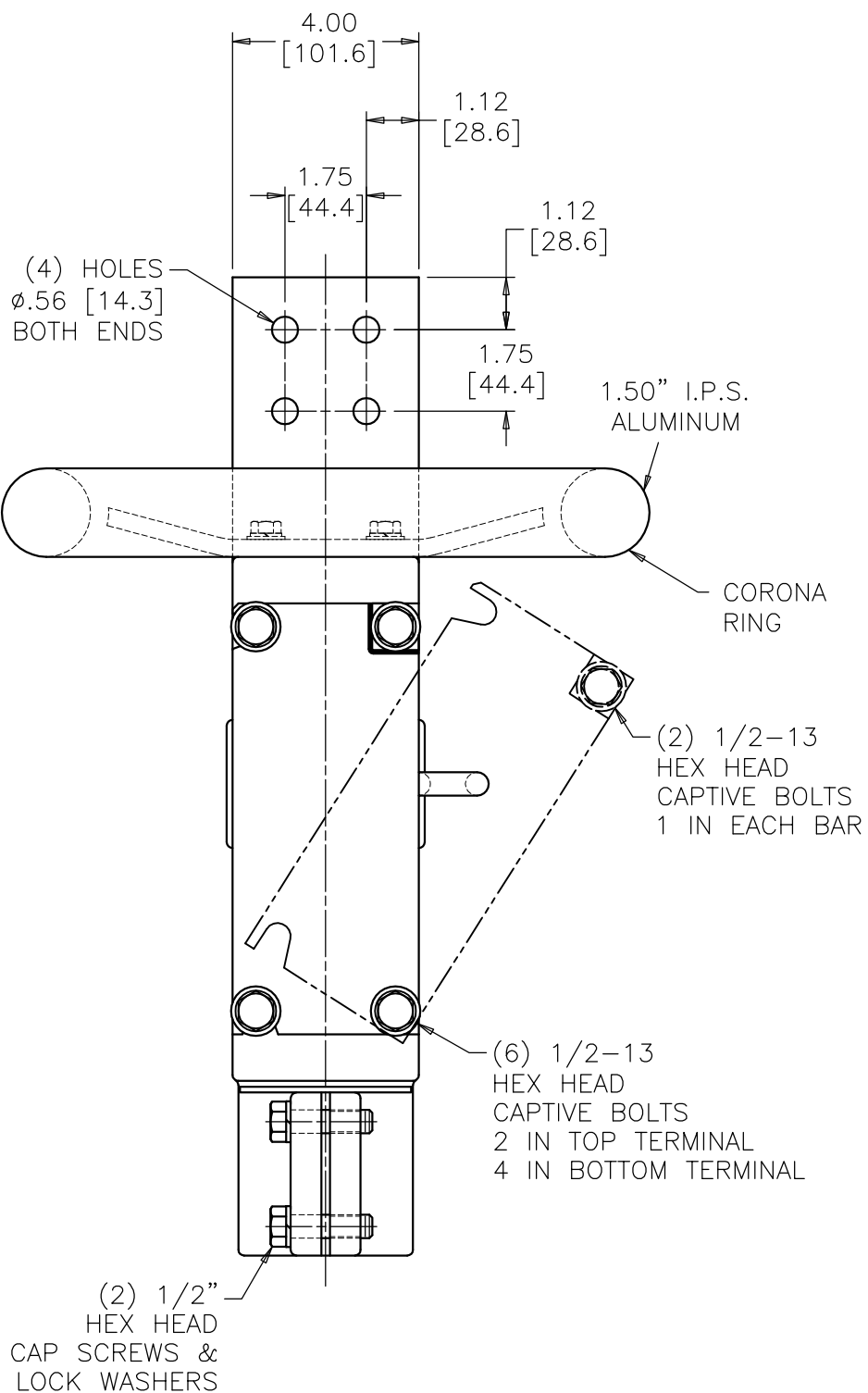
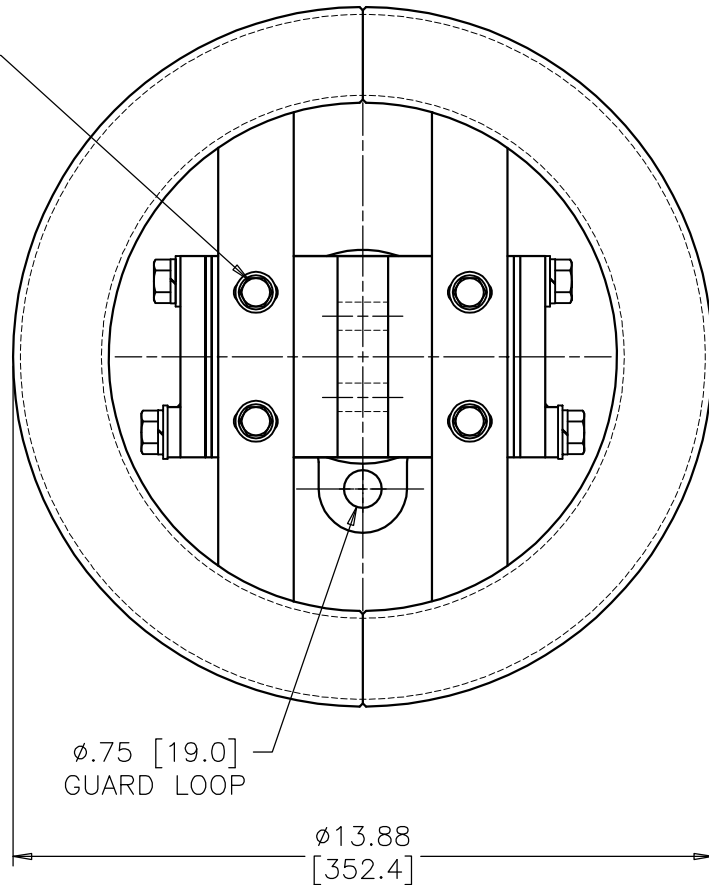
DWG.	CATALOG NUMBER	GLAZE COLOR
SD	B-63099-E	BROWN
SD	B-63099-E-70	LT. GRAY

CURRENT RATING
3000 A

DATE 5-23-07 REV. DATE 10-30-07

REF.

(4) 3/8-16 HEX HEAD
CAP SCREWS WITH FLAT WASHERS
AND LOCK WASHERS SST.



BOLTS ARE EVERDUR AND STAINLESS STEEL
HARDWARE IS HIGH CONDUCTIVITY COPPER - SILVER PLATED

DIMENSIONS IN INCHES [MILLIMETERS]

REVISION TERMINAL BLADE WAS NOT SILVER PLATED

SCALE 1/4

NOTE TO PURCHASER:
ALL SALES OF PCORE PRODUCTS ARE SUBJECT
TO OUR STANDARD TERMS AND CONDITIONS
AND THE LIMITED WARRANTIES THEREUNDER