

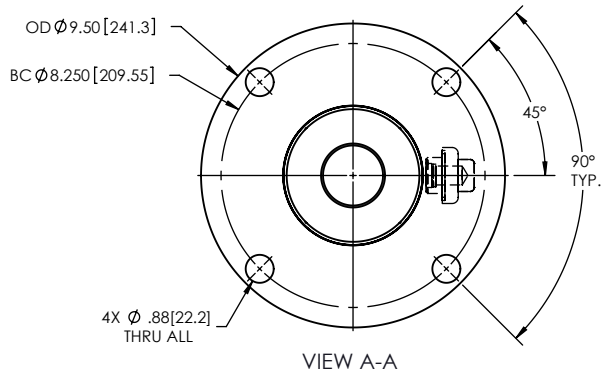
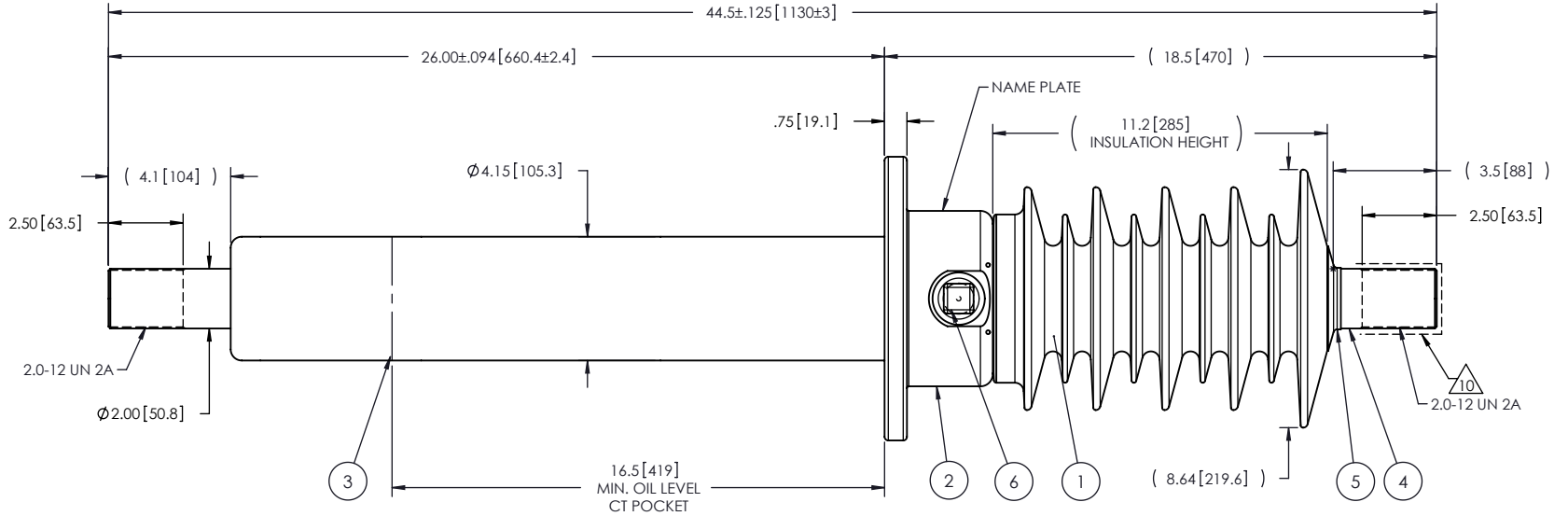
NOTES:

- 1 CREEPAGE DISTANCE: 33.3" / 847mm
- 2 ARC DISTANCE: 13.6" / 345mm
- 3 NOMINAL VOLTAGE: 25kV
- 4 NOMINAL CURRENT: 3000A
- 5 WITHSTAND VOLTAGE AT 60 sec.: 60kV
- 6 B.I.L. : 150kV
- 7 ROUTINE TEST ACCORDING TO: IEEE C57.19.01
- 8 MAX. TORQUE APPLIED ON FLANGE BOLTS: 40 lbf x ft/ 54.2 N.m
- 9 WEIGHT: 83 lbs / 37.8 Kg

10 SILVER PLATED TOP END, AS PER ASTM B700, TYPE 1, GRADE D, CLASS N, NO NICKEL LAYER, FROM 13 TO 20 MICROMETERS THICKNESS

11 DO NOT STORE OR INSTALL BUSHING DIRECTLY EXPOSED TO SUNLIGHT (UV).

REVISIONS					
ZONE	REV.	DESCRIPTION	DRAWN BY	DATE	APPR.



ITEM NO.	QTY	DRAWING NO.	PART NO.	DESCRIPTION	NOTE / MAT'L
6	1	S-1001-2022		CAPACITANCE TAP ASSEMBLY	ALUMINUM
5	1	S-1344-0162		CAP	COPPER
4	1	S-6938-6540		ROD ASSEMBLY	COPPER
3	1	S-5504-5156		SHIELD ASSEMBLY	COPPER
2	1	S-5280-4890		FLANGE	ALUMINUM
1	1	S-7036-6684	-001	CASTING, CYCLOALIPHATIC RESIN	EC-APG-15

Electro Composites™
solid HV bushings solution

TITLE: BUSHING 25kV, 3000A
MODEL: 150-030-T-632-01

DRAWN BY: A.SAVARD	DATE: 2011/08/17	FORMAT: A	CAGE CODE:	DRAWING NO. S-7036-6684	REVISION: NR
CHECK BY:		PROJECT ENG.:		GENERATED BY: SolidWorks 2009	SHEET: 1 of 1
PROJECT MGR.:		SCALE: 1:6			

GENERAL TOLERANCES (UNLESS OTHERWISE SPECIFIED)

X.	±0.125
.X	±0.094
.XX	±0.063
.XXX	±0.031
ANGLES	±0.25°
RADIUS	±0.031

REMOVE BURRS AND BREAK SHARP EDGES

DIMENSIONS ARE IN INCHES (UNLESS OTHERWISE SPECIFIED)

This drawing is the proprietary property of Electro Composites (2008) ULC, not part of the public domain, and is issued with the express understanding and agreement that it is not to be reproduced or copied in whole or in part or issued for furnishing information to others, or used directly or indirectly, in any way detrimental to the interest of Electro Composites (2008) ULC and is to be returned upon request by Electro Composites (2008) ULC. All Rights Reserved.