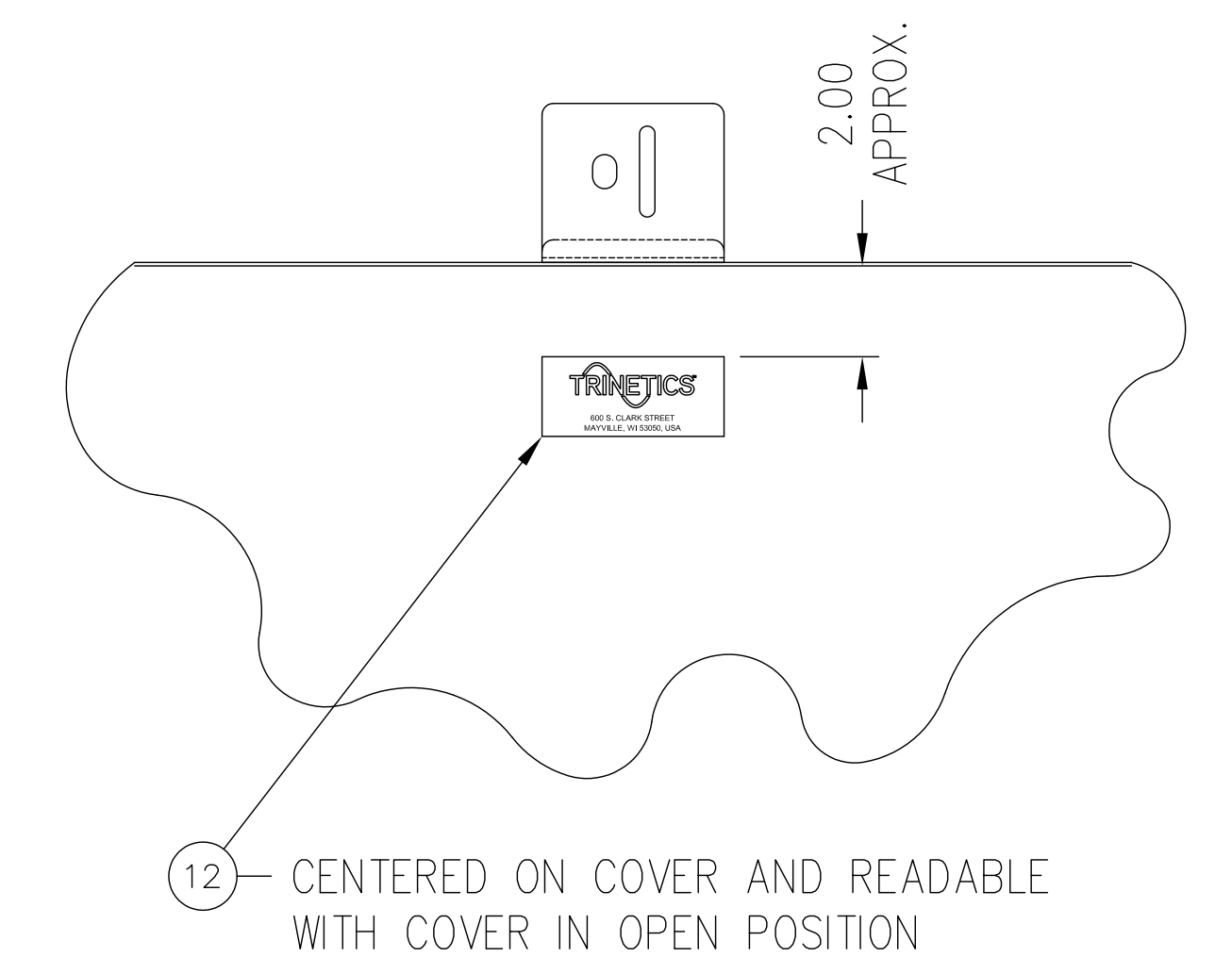
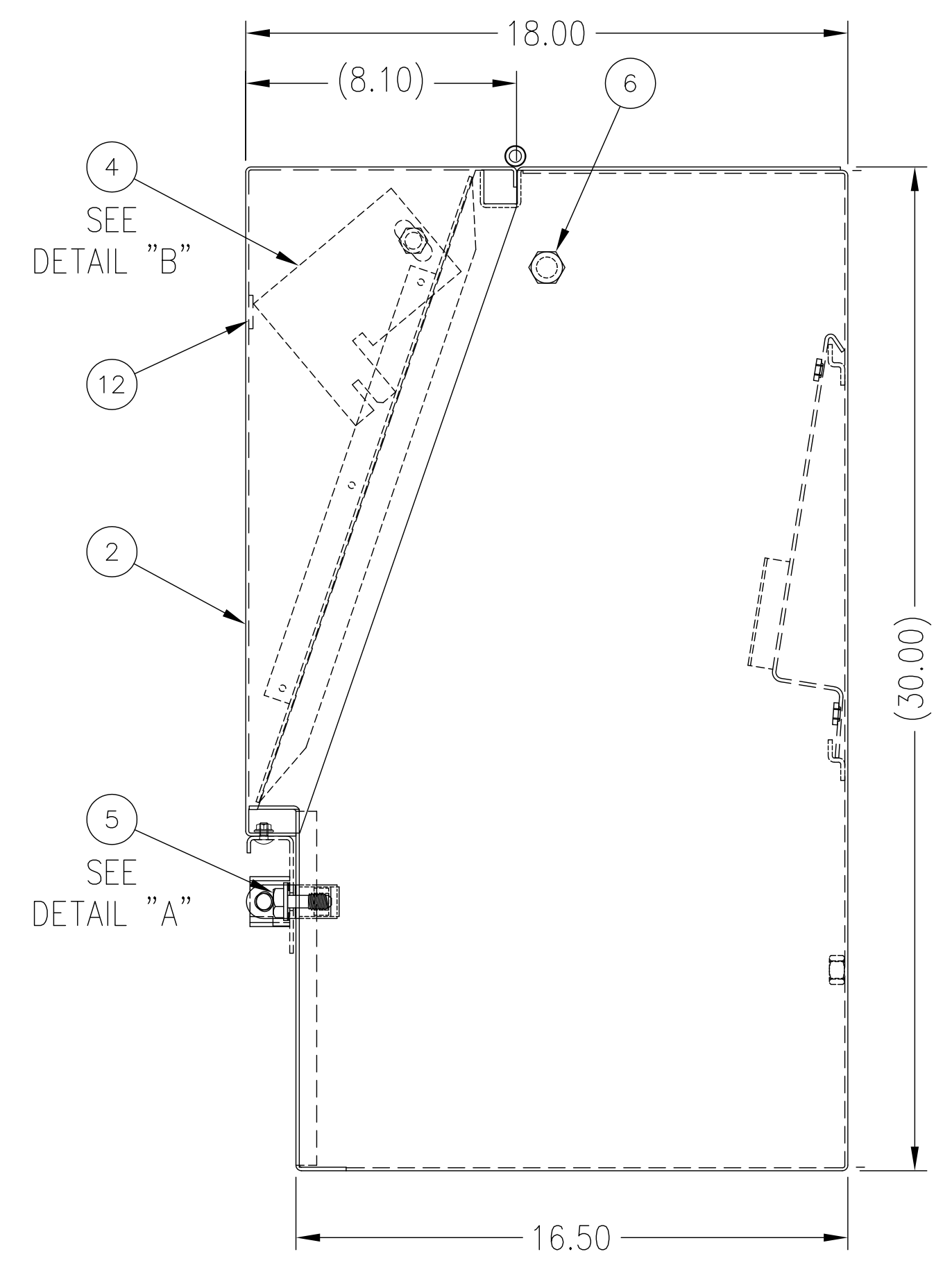
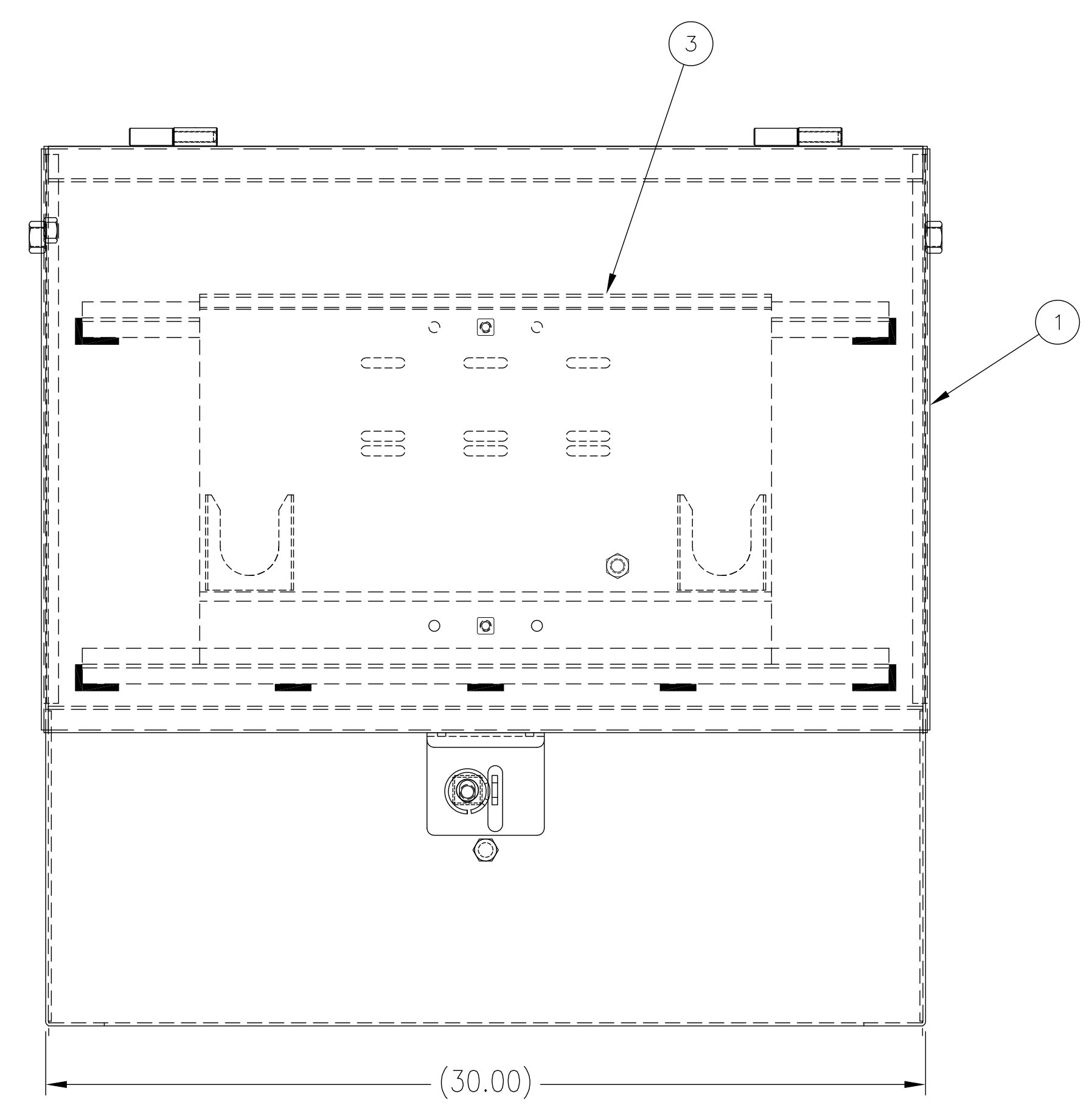
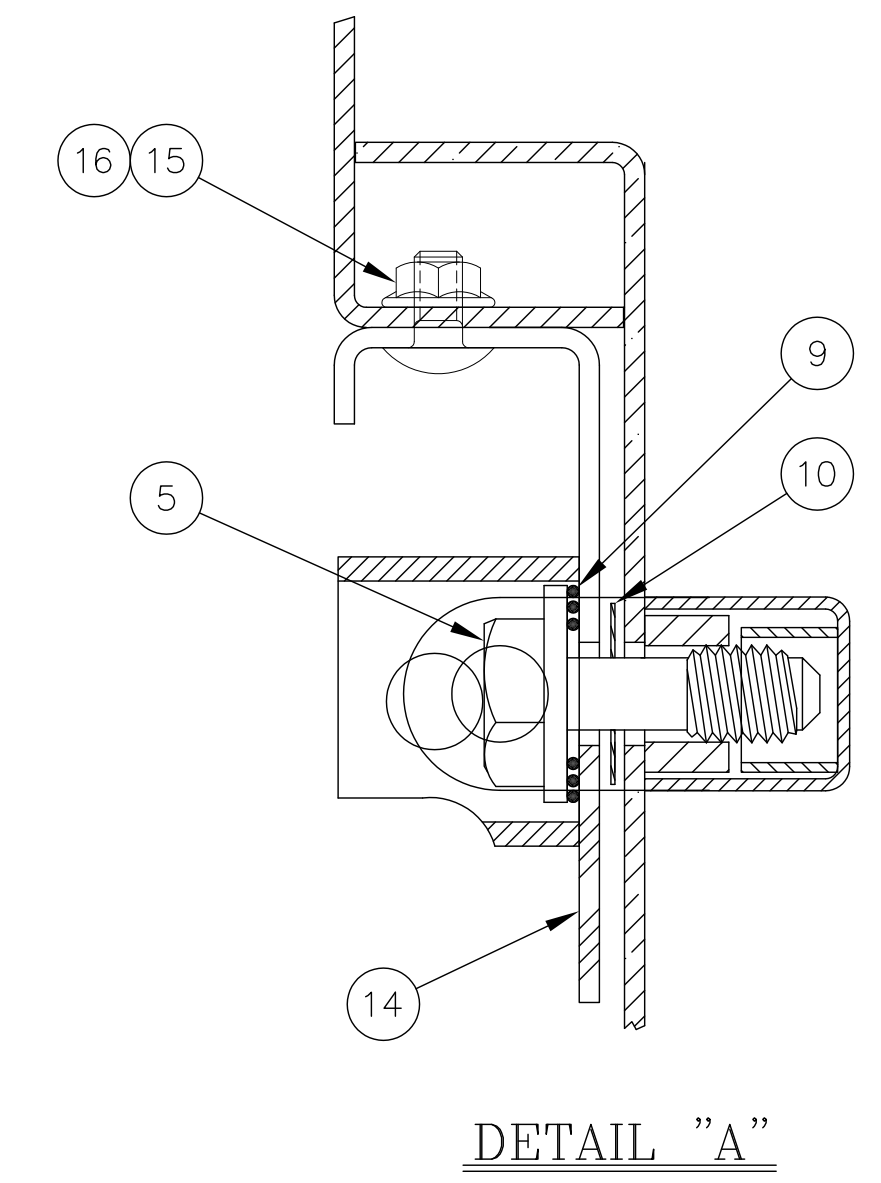
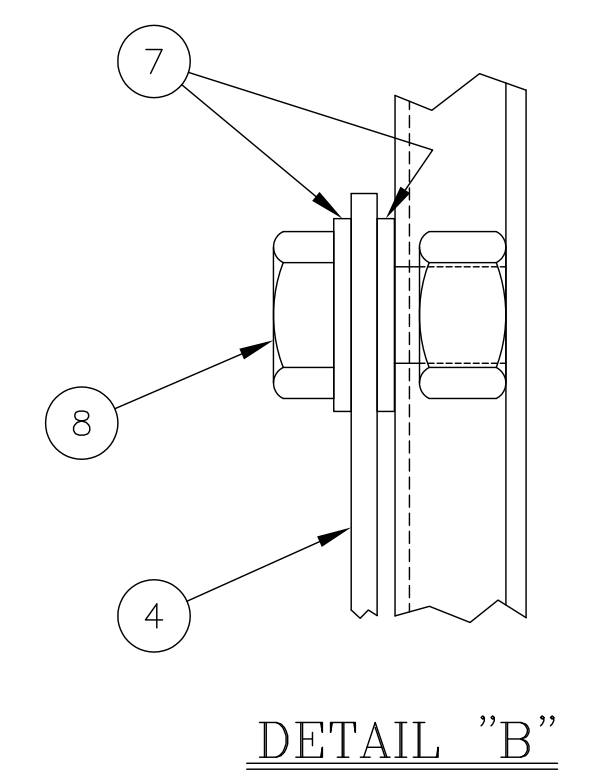
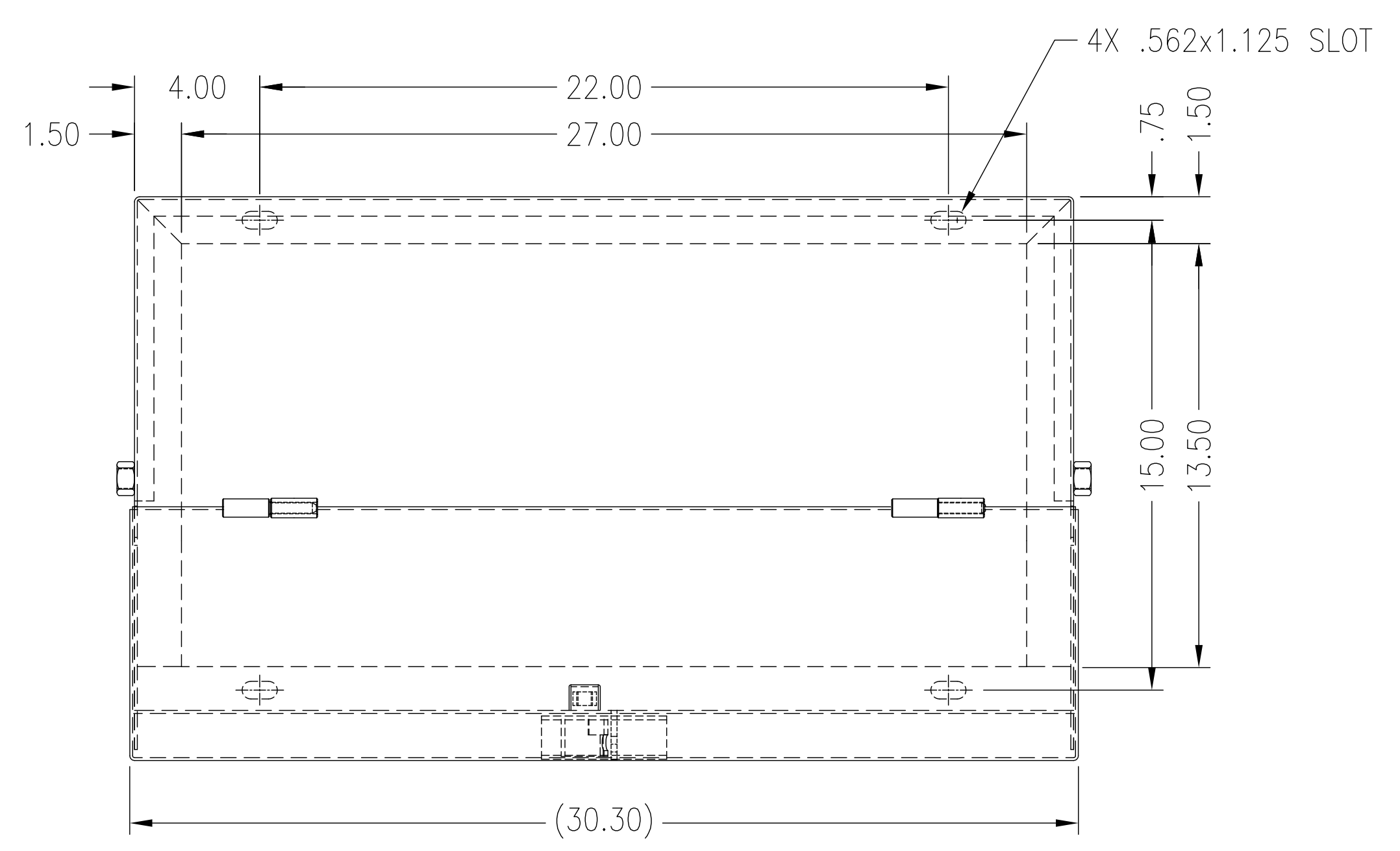


ITEM	QTY	PART #	DESCRIPTION	MATERIAL
1*	1	63488169	BODY WELDMENT	.090 ALUM
2*	1	63488210	COVER WELDMENT	.090 ALUM
3	1	63223203	MOUNTING BAR	12GA HRPO
4	1	63380314	WIND STOP	ALUMINUM
5	1	61216202	PENTA BOLT	STN STL
6	2	612129	CAPLUG	PLASTIC
7	2	92601305	1/2 FLAT WASHER	STN STL
8	1	92138116	1/2-13x1 HEX HD CAP	STN STL
9	1	612079	1/2 SPRING	ZINC
10	1	612048	1/2 ONE WAY WASHER	ZINC
11	.17	61208402	NEOPRENE-CLOSED CELL	GASKET
12	1	617204	DECAL NAME & LOGO	STICKER
13*	A/R	617055	MUNSELL GREEN POWDER	PAINT
14	1	63349601	HANDLE WELDMENT 1.38"	ALUMINUM
15	2	9205A108	1/4-20x0.50 CARRIAGE BOLT	STN STL
16	2	92251706WX	1/4-20 WHIZ LOCK NUT	STN STL



VIEW OF INSIDE OF COVER IN OPEN POSITION

TOL. UNLESS NOTED X ±.06 XX ±.03 XXX ±.015 ANGLES ±1° FLATS ±.005		THIRD ANGLE PROJECTION	THIS DRAWING AND ALL INFORMATION THEREON IS THE SOLE PROPERTY OF TRINETICS. IT MUST NOT BE COPIED, REPRODUCED OR SUBMITTED TO OTHERS WITHOUT WRITTEN AUTHORIZATION. ALL REPRODUCTIONS ARE SUBJECT TO RETURN ON DEMAND. ALL DIMENSIONS ARE IN INCHES UNLESS OTHERWISE SPECIFIED.		
NEXT ASSEMBLY 63388006		TH - FINAL ASSEMBLY .090 ALUMINUM 5052-H32 CW330-18TH(R)-AL STANDARD			
SIMILAR TO 63388079		DATE 03/05/09		REV 000	PART NUMBER 63294302
DRAWN BY PST		SCALE 1/4		SIZE FAMILY ID D P105	
REVISIONS		SHEET 1 OF 1			

000 67183	NEW RELEASE	03/05/09 PST
REV ERN #	DESCRIPTION	DATE BY
REVISIONS		