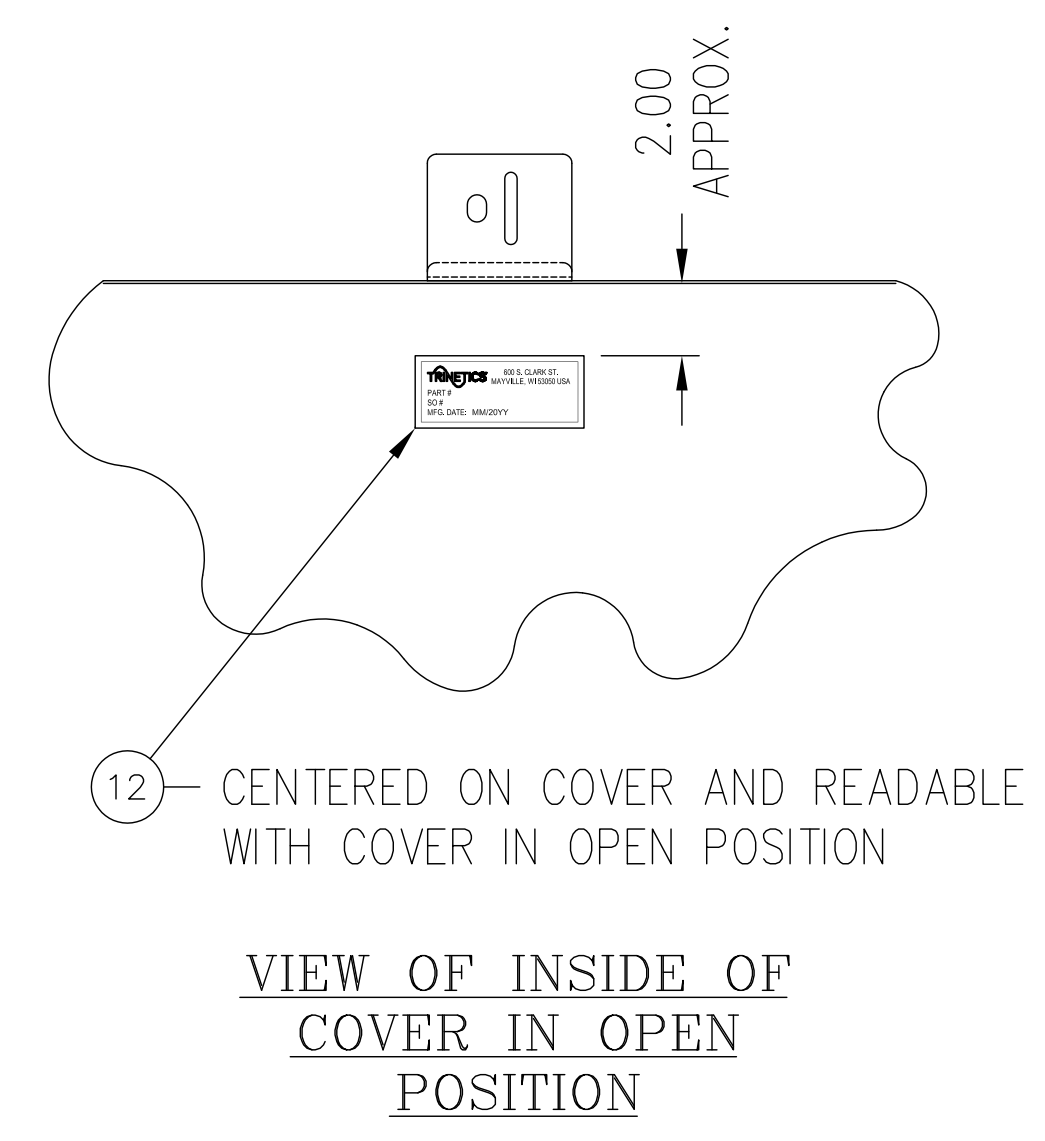
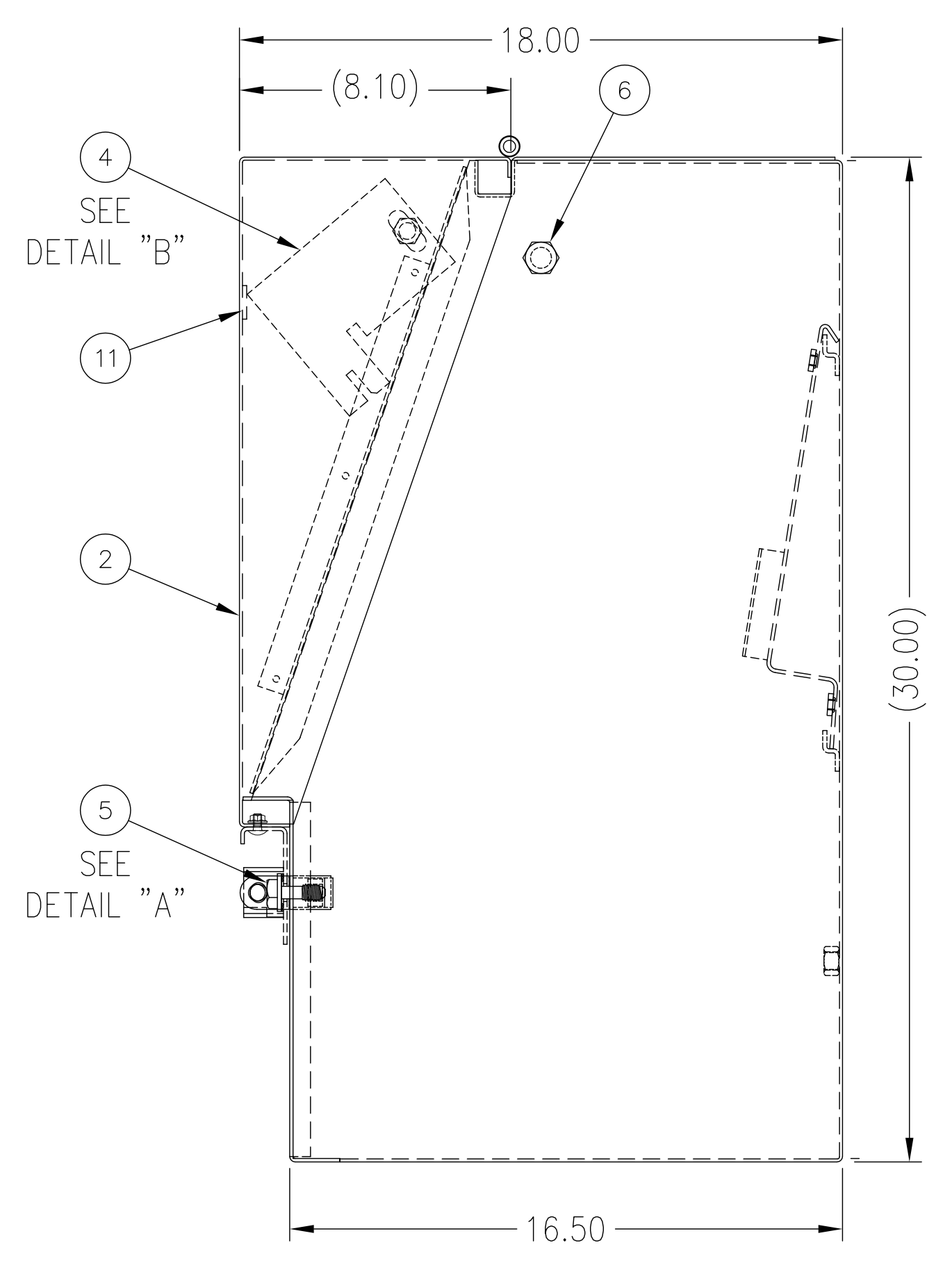
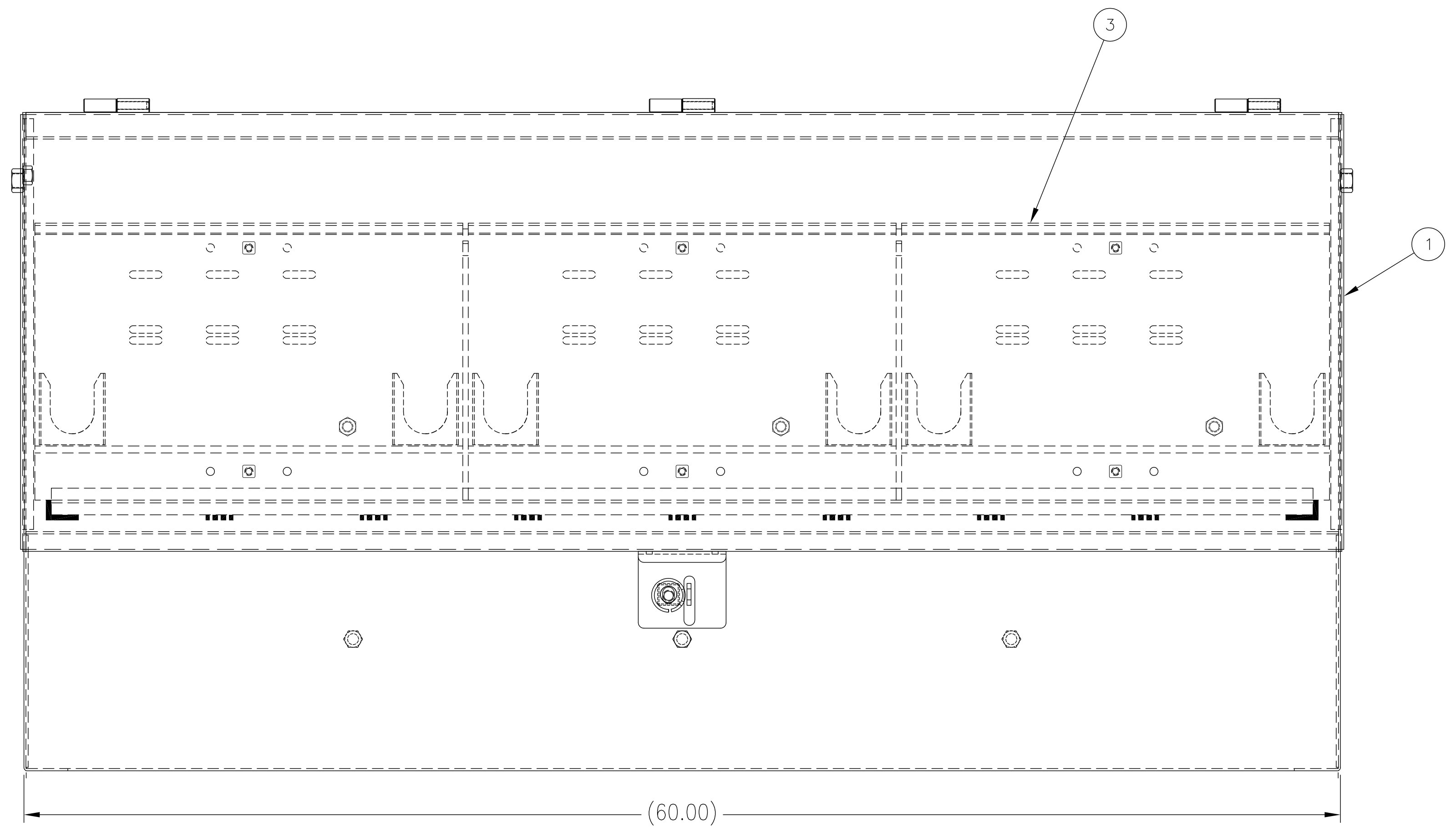
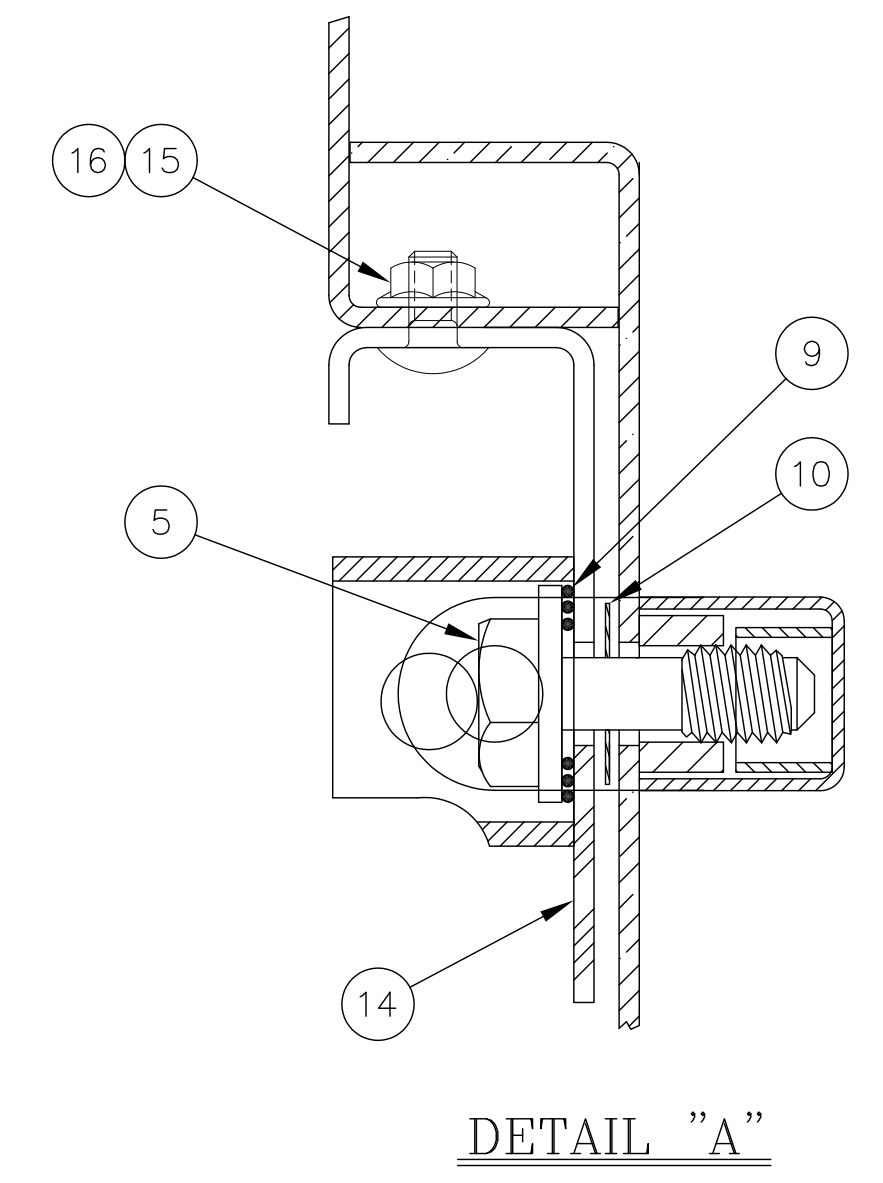
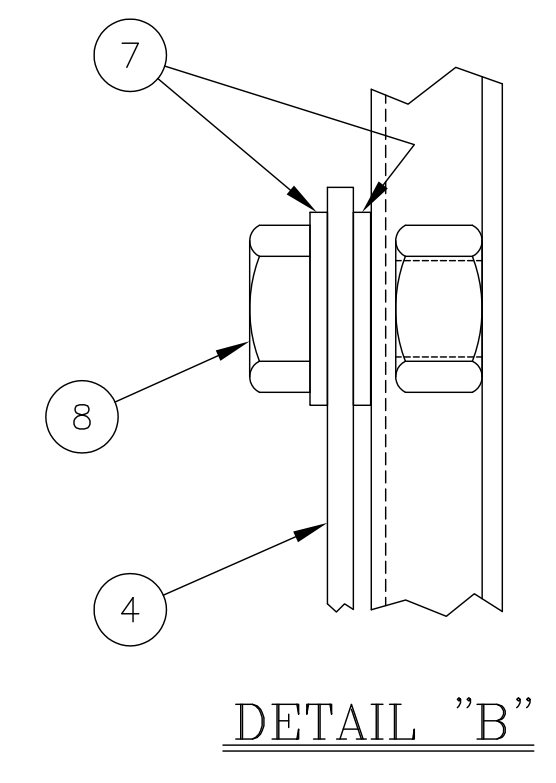
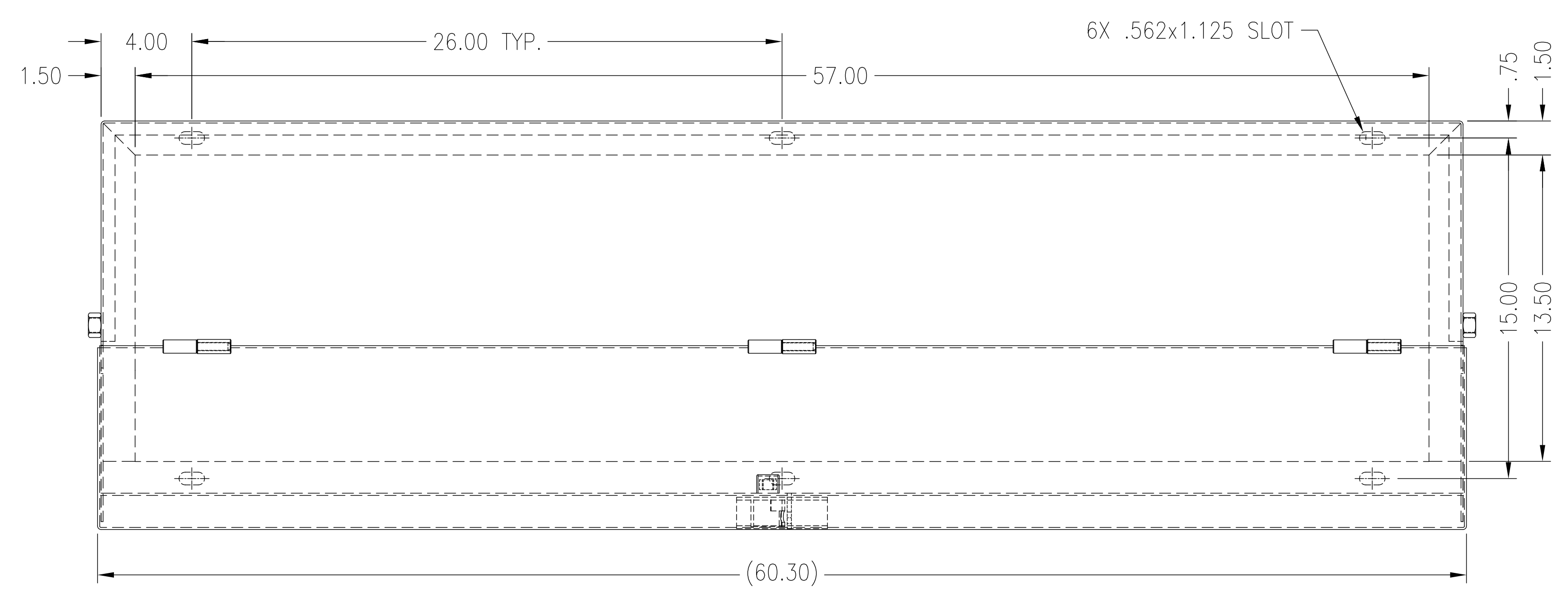


* 63294307ALN COMPONENT

ITEM	QTY	PART #	DESCRIPTION	MATERIAL
1*	1	63488176	BODY WELDMENT	.090 ALUM
2*	1	63488215	COVER WELDMENT	.090 ALUM
3	3	63223203	MOUNTING BAR	12GA HRPO
4	1	63380314	WIND STOP	ALUMINIUM
5	1	61216202	PENTA BOLT	STN STL
6	2	612129	CAPLUG	PLASTIC
7	2	92601305	1/2 FLAT WASHER	STN STL
8	1	92138116	1/2-13x1.00 HHCS	STN STL
9	1	612079	1/2 SPRING	ZINC
10	1	612048	1/2 ONE WAY WASHER	ZINC
11	.17	61208402	NEOPRENE-CLOSED CELL	GASKET
12	1	617204	DECAL NAME & LOGO	STICKER
13*	A/R	617055	MUNSELL GREEN POWDER	PAINT
14	1	63349601	HANDLE WELDMENT 1.38"	ALUMINIUM
15	2	9205A108	1/4-20x.50 CARRIAGE BOLT	STN STL
16	2	92251706WX	1/4-20 WHIZ LOCK NUT	STN STL
17	6	92078120FT	5/16-18x1-1/4 HHS	STN STL



TOL. UNLESS NOTED X ±.06 XX ±.03 XXX ±.015 ANGLES ±.1° FLATS ±.005	THIRD ANGLE PROJECTION	THIS DRAWING AND ALL INFORMATION THEREON IS THE SOLE PROPERTY OF TRINETICS. IT MUST NOT BE COPIED, REPRODUCED OR SUBMITTED TO OTHERS WITHOUT WRITTEN AUTHORIZATION. ALL REPRODUCTIONS ARE SUBJECT TO RETURN ON DEMAND. ALL DIMENSIONS ARE IN INCHES UNLESS OTHERWISE SPECIFIED.	TRINETICS
NEXT ASSEMBLY 63388001	SIMILAR TO 63588072	TH - FINAL ASSEMBLY .090 ALUMINUM 5052-H32 CW360-18TH(R)-AL STANDARD	
DRAWN BY PST	DATE 03/31/09	WEIGHT 100 LB	SCALE 1/4
REV ERN #	DESCRIPTION	DATE BY	
REVISIONS		CURRENT ERN 67215	REV PART NUMBER 000 63294307

000 67215	NEW RELEASE	03/31/09 PST
REV ERN #	DESCRIPTION	DATE BY
REVISIONS		