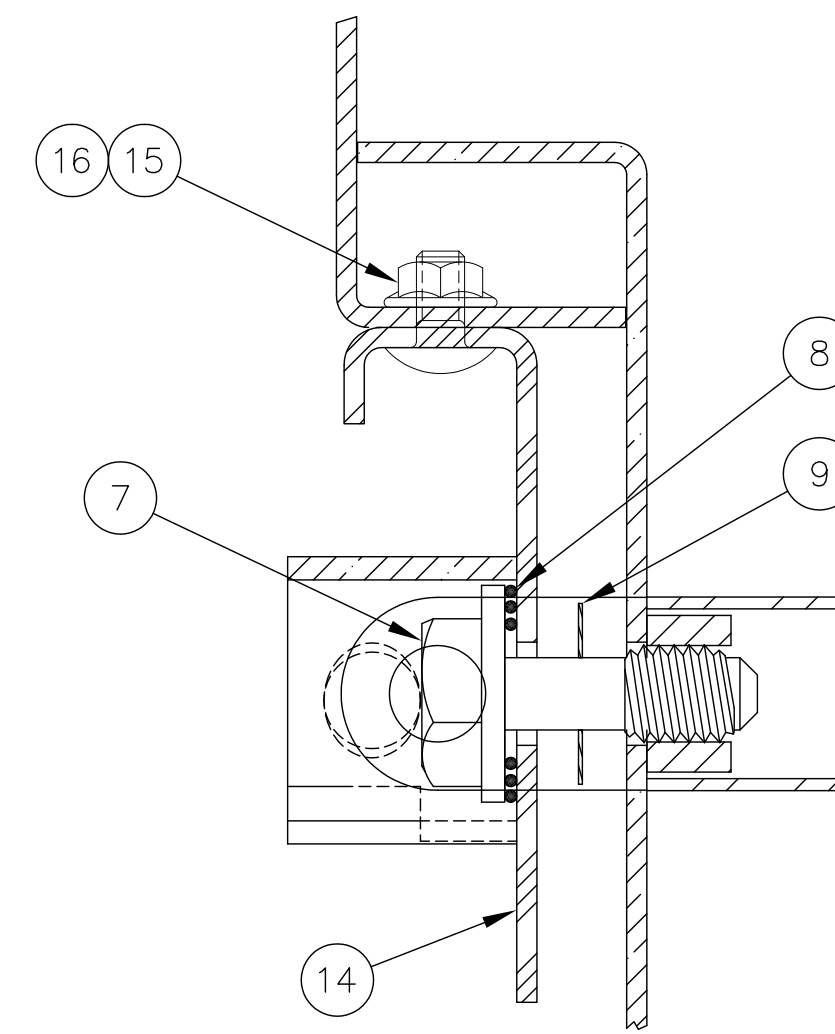
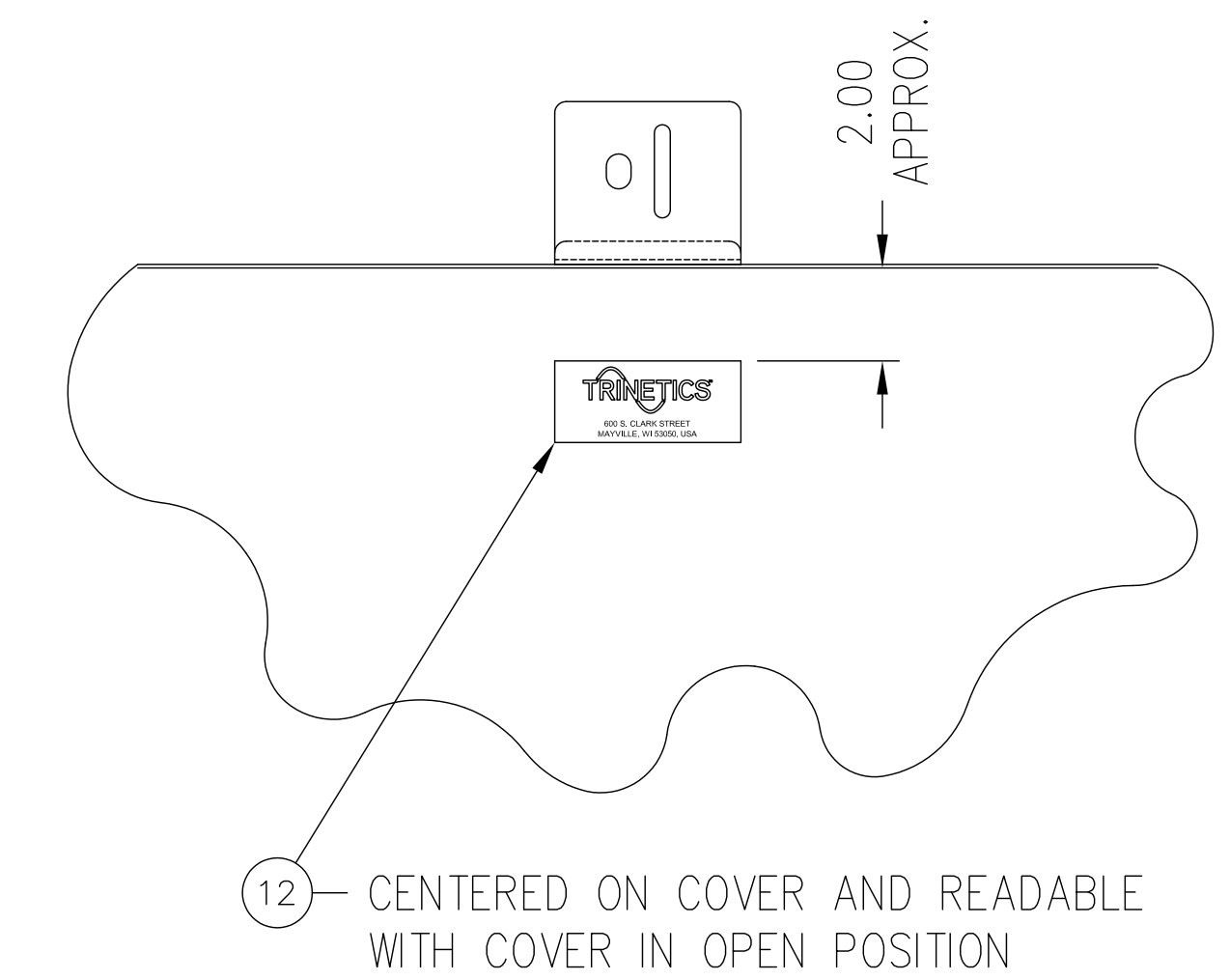


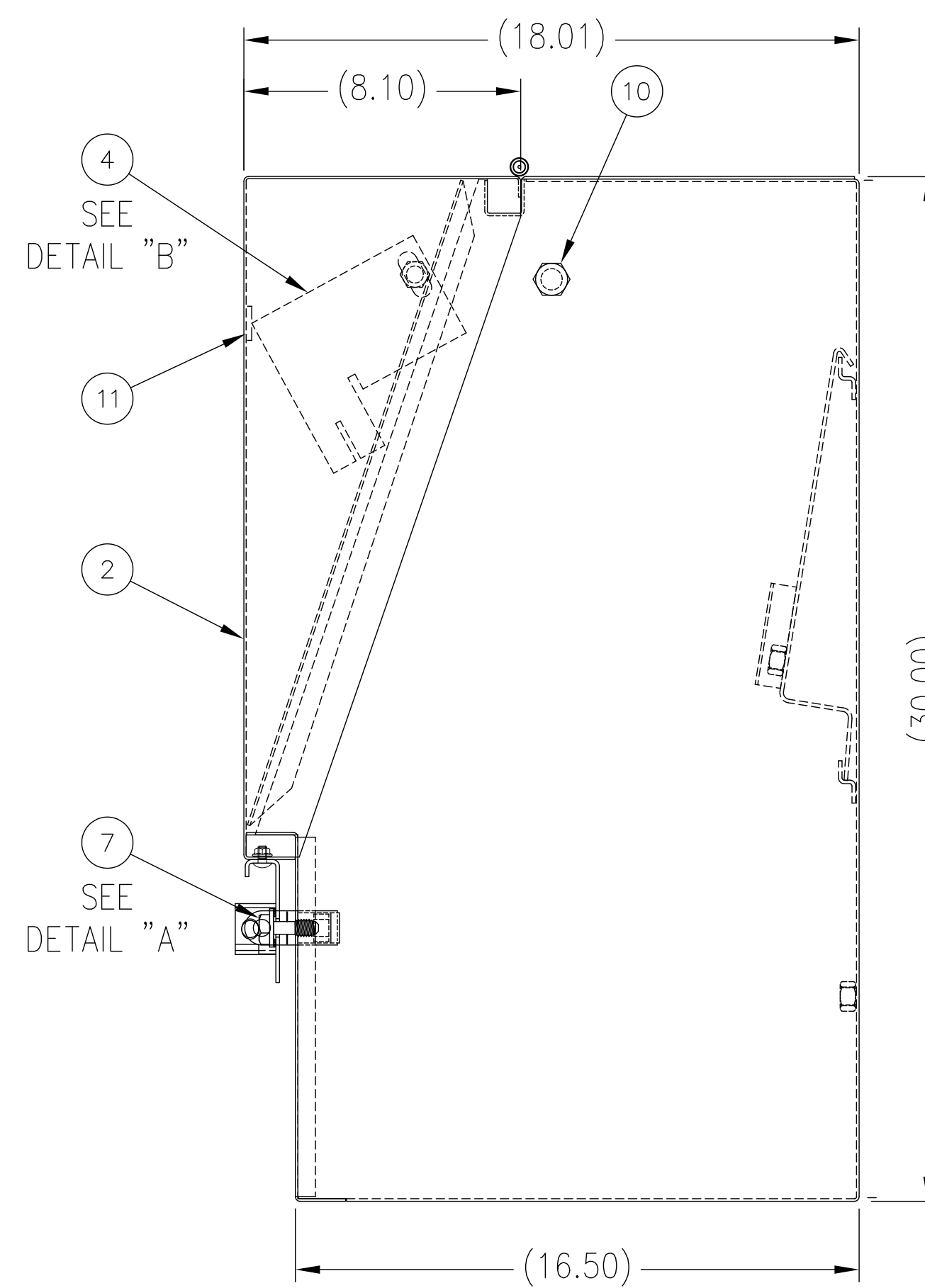
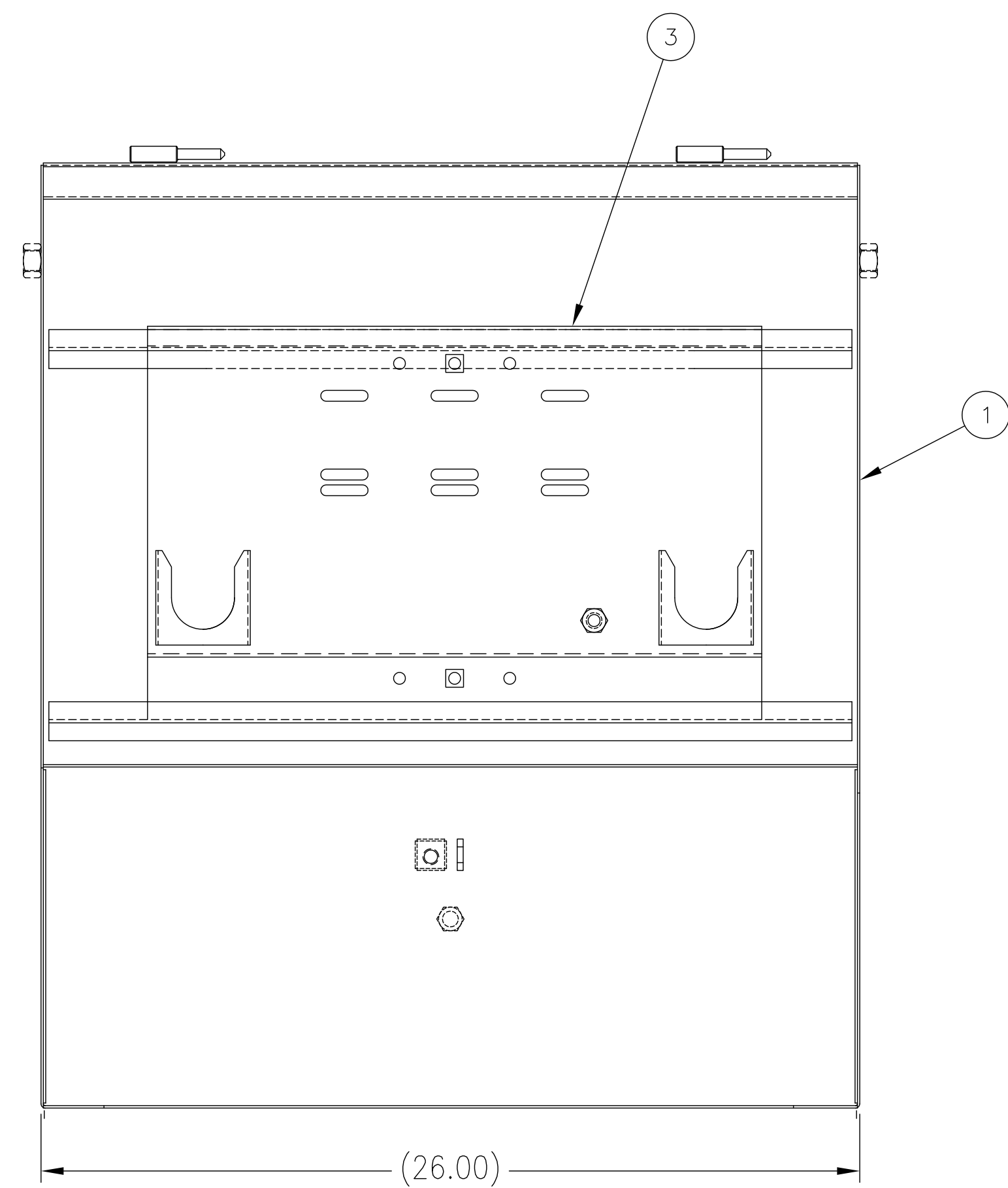
DETAIL "B"



DETAIL "A"



VIEW OF INSIDE OF COVER IN OPEN POSITION



ITEM	QTY	PART #	DESCRIPTION	MATERIAL
1*	1	63388100	BODY WELDMENT	#14GA HRPO
2*	1	63388200	COVER WELDMENT	#14GA HRPO
3	1	63223203	MOUNTING BAR WELDMENT	#12GA HRPO
4	1	63380300	WIND STOP	#10GA HRPO
5	2	92601305	1/2 FLAT WASHER	STN STL
6	1	92138116	1/2-13x1.0 HHCS	STN STL
7	1	61216202	PENTA BOLT	STN STL
8	1	612079	1/2 SPRING	STN STL
9	1	612048	1/2 ONE WAY WASHER	STN STL
10	2	612129	CAPLUG	
11	.17	61208402	NEOPRENE GASKET	
12	1	617204	DECAL NAME & LOGO	
13*	A/R	617055	MUNSELL GREEN POWDER	PAINT
14	1	73189605	HANDLE WELDMENT	
15	2	9205A108	1/4-20x.50 CARRIAGE BOLT	STN STL
16	2	92251706WX	1/4-20 WHIZ LOCK NUT	STN STL
17*	.25	61721209	PALLET 58x40	WOOD

TOL. UNLESS NOTED X ±.06 XX ±.03 XXX ±.015 ANGLES ±.1° FLATS ±.005		THIRD ANGLE PROJECTION	THIS DRAWING AND ALL INFORMATION THEREON IS THE SOLE PROPERTY OF TRINETICS. IT MUST NOT BE COPIED, REPRODUCED OR SUBMITTED TO OTHERS WITHOUT WRITTEN AUTHORIZATION. ALL REPRODUCTIONS ARE SUBJECT TO RETURN ON DEMAND.		
NEXT ASSEMBLY		TH - FINAL ASSEMBLY #14GA (.0747) HRPO STEEL CW326-18TH(R)			
DRAWN BY PST		DATE 03/01/99	SCALE 1/4	CURRENT ERN 63249	REV 005
REV ERN #		DESCRIPTION	DATE BY	PART NUMBER 63388000	

REV ERN #	DESCRIPTION	DATE BY
005	REVISED	03/01/99 PST
004	REVISED	05/20/98 PST
003	REVISED	01/17/92 MLP
002	REVISED	08/02/91 KV
001	REVISED	08/07/90 MS
000	NEW RELEASE	04/17/90 SWK

REVISIONS